

BALDOR® • RELIANCE

Product Information Packet

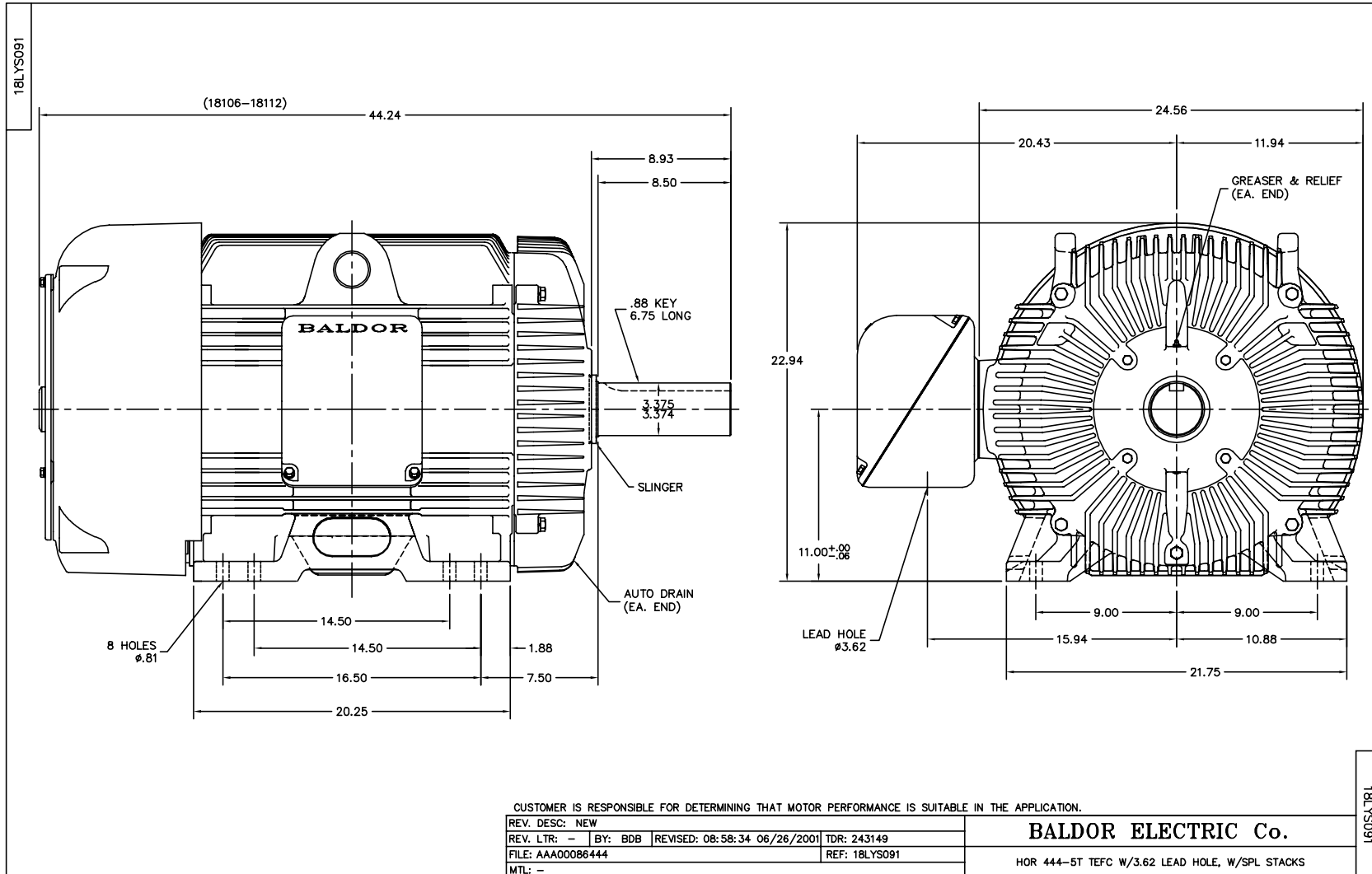
ELECTRIC MOTOR WHOLESAL.COM

M44156T-4

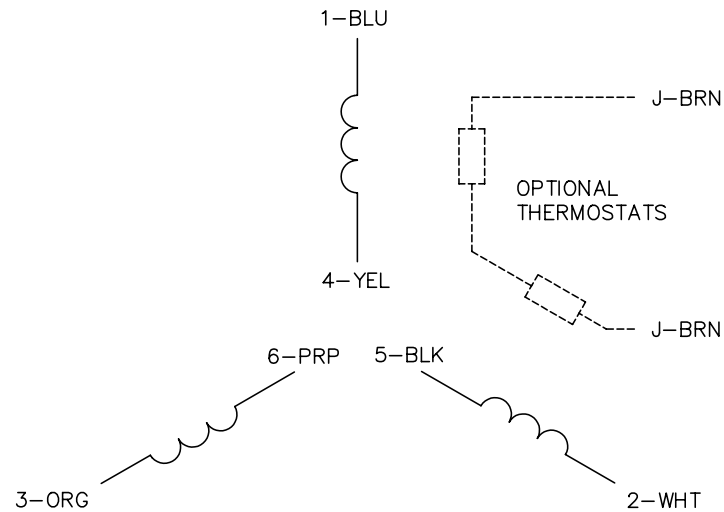
150HP, 1185RPM, 3PH, 60HZ, 445T, 18108M, TEFC

Part Detail							
Revision:	J	Status:	INA/A	Change #:		Proprietary:	No
Type:	AC	Prod. Type:	18108M	Elec. Spec:	18WGX505	CD Diagram:	
Enclosure:	TEFC	Mfg Plant:		Mech. Spec:	18S091	Layout:	
Frame:	445T	Mounting:	F1	Poles:	06	Created Date:	04-29-2008
Base:	RG	Rotation:	R	Insulation:	F	Eff. Date:	04-01-2010
Leads:	6#4	Literature:		Elec. Diagram:		Replaced By:	

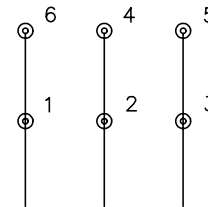
Accessories		
Part Number	Description	Multiplier
18-1302	C-FACE KIT FOR T CONVERTS T TO TC	A8
18EP1500A01SP	D-FLANGE KIT	A8



CD0382

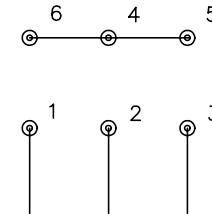


RUN CONNECTION (1D)



LINE

START CONNECTION (1Y)



LINE

NOTES:

1. INTERCHANGE ANY TWO LINE LEADS TO REVERSE ROTATION.
2. OPTIONAL THERMOSTATS ARE PROVIDED WHEN SPECIFIED.
3. ACTUAL NUMBER OF INTERNAL PARALLEL CIRCUITS MAY BE A MULTIPLE OF THOSE SHOWN ABOVE.
4. LEAD COLORS ARE OPTIONAL. LEADS MUST ALWAYS BE NUMBERED AS SHOWN.
5. FOR ACROSS-THE-LINE STARTING, USE 'RUN' CONNECTION.

REV. DESC: ADD NOTE 5 FOR DOL STARTING			
REV. LTR: E	BY: JLP	REVISED: 11/30/00 2:26	TDR: 0226155
CD0382		FILE: AAA00005243	REF: -
		MTL: -	

BALDOR ELECTRIC Co.

3PH, SV, 6 LEADS, Y START/D RUN

CD0382