

BALDOR® • RELIANCE

Product Information Packet

ELECTRIC MOTOR WHOLESAL.COM

M6007A

.5HP,1725RPM,3PH,60HZ,48,X3416M,XPFC,F1

Part Detail							
Revision:	P	Status:	PRD/A	Change #:		Proprietary:	No
Type:	AC	Prod. Type:	3416M	Elec. Spec:	34WG1543	CD Diagram:	
Enclosure:	XPFC	Mfg Plant:		Mech. Spec:	34-5427	Layout:	
Frame:	48	Mounting:	F1	Poles:	04	Created Date:	
Base:	RG	Rotation:	R	Insulation:	B	Eff. Date:	03-23-2011
Leads:	12#18	Literature:		Elec. Diagram:		Replaced By:	
Nameplate NP0016XP							
NO.				CC			
SER.							
SPEC.		34-5427-1543					
CAT.NO.		M6007A					
HP	.5			T. CODE		T3C	
VOLTS		208-230/460					
AMPS		2.1-2/1					
RPM		1725					
HZ	60			PH	3	CL	B
SER.F.	1.00			DES	B	CODE	L
RATING		40C AMB-CONT					
FRAME	48			NEMA-NOM-EFF	74	PF	63
USABLE AT 208V		2.1					

Parts List		
Part Number	Description	Quantity
SA009060	SA 34-5427-1543	1.000 EA
RA005507	RA 34-5427-1543	1.000 EA
35CB3001A01SP	EXPL CONDUIT BOX, MACH, 1/2" PIPE TAP LE	1.000 EA
11XW1032G06	10-32 X .38, TAPTITE II, HEX WSHR SLTD U	1.000 EA
HW3001B01	003SS CUP WASHER, FOR #8 SCREW	1.000 EA
34EP3703A01	FR ENDPLATE, MACH XP	1.000 EA
51XW0832A07	8-32 X .44, TAPTITE II, HEX WSHR SLTD SE	2.000 EA
MJ5000A01	SEALANT, CHICO A COMPOUND	0.050 LB
HW4002A02	1-11.5X2LG PIPE NIPPLE (F/S)	1.000 EA
HA1025A13	WSHR,FELT, .38" THICK F-26 CLASS	1.000 EA
HW3021E06	1/8 DIA X 5/8 ROLLPIN (F/S)	1.000 EA
HW5100A03SP	WAVY WASHER (W1543-017)	1.000 EA
34EP3704A01	PU ENDPLATE, MACH XP	1.000 EA
XY3118A12	5/16-18 HEX NUT DIRECTIONAL SERRATION	4.000 EA
34FN3002A01SP	EXTERNAL FAN, PLASTIC, .637/.639 HUB W/	1.000 EA
34FH4002A01SP	IEC FH NO GREASER	1.000 EA
51XW1032A06	10-32 X .38, TAPTITE II, HEX WSHR SLTD S	3.000 EA
35CB3500A01SP	CONDUIT BOX LID, MACH	1.000 EA
51XN2520A16	SCREW, HEX WS SLT, ZN, 1/4-20 X 1.00	4.000 EA
HA6001A01	THERMAL RETAINER (PLATED)	1.000 EA
12XF0632A06	6-32X3/8 TY F HEX HD SLT	2.000 EA
NS2500A05	INSULATOR, AUTO THER PROT	1.000 EA
WD1000A03	41531 AMP FLG.TERM,4M/REEL(2.5MIL)	3.000 EA
MG1025G29	PAINT 789.205 DARK GRAY METALLIC (USE W/	0.014 GA

Parts List (continued)		
Part Number	Description	Quantity
85XU0407A04	#4-7 X 1/4 DRIVE PIN	6.000 EA
NP0018	NP- XP CONDUIT BOX DO NOT MAKE SELLABLE	1.000 EA
SP5037A01	TERMINAL PLATE ASS'Y MODEL 34 - 3 PHASE	1.000 EA
TPMYJ70KX	THERMAL 3PH 0.75 AUT 120C	1.000 EA
HA3104A05	THRUBOLT, 5/16-18 X 8.375	4.000 EA
WD1000A16	2-520128-2 AMP FLAG TERMINAL(4M/RL)	12.000 EA
LB1125C01	STD (STOCK) CARTON LABEL BALDOR WITH FLA	1.000 EA
LC0007	CONN.DIAGRAM (3PHASE W/THERMAL)	1.000 EA
LB1118	LABEL,WARNING (ROLL LABEL)	1.000 EA
NP0016XP	UL/CSA, CLI GP-D,CLII GP-F&G,CC,ATO	1.000 EA
34PA1005	PACKING GROUP, BALDOR	1.000 EA

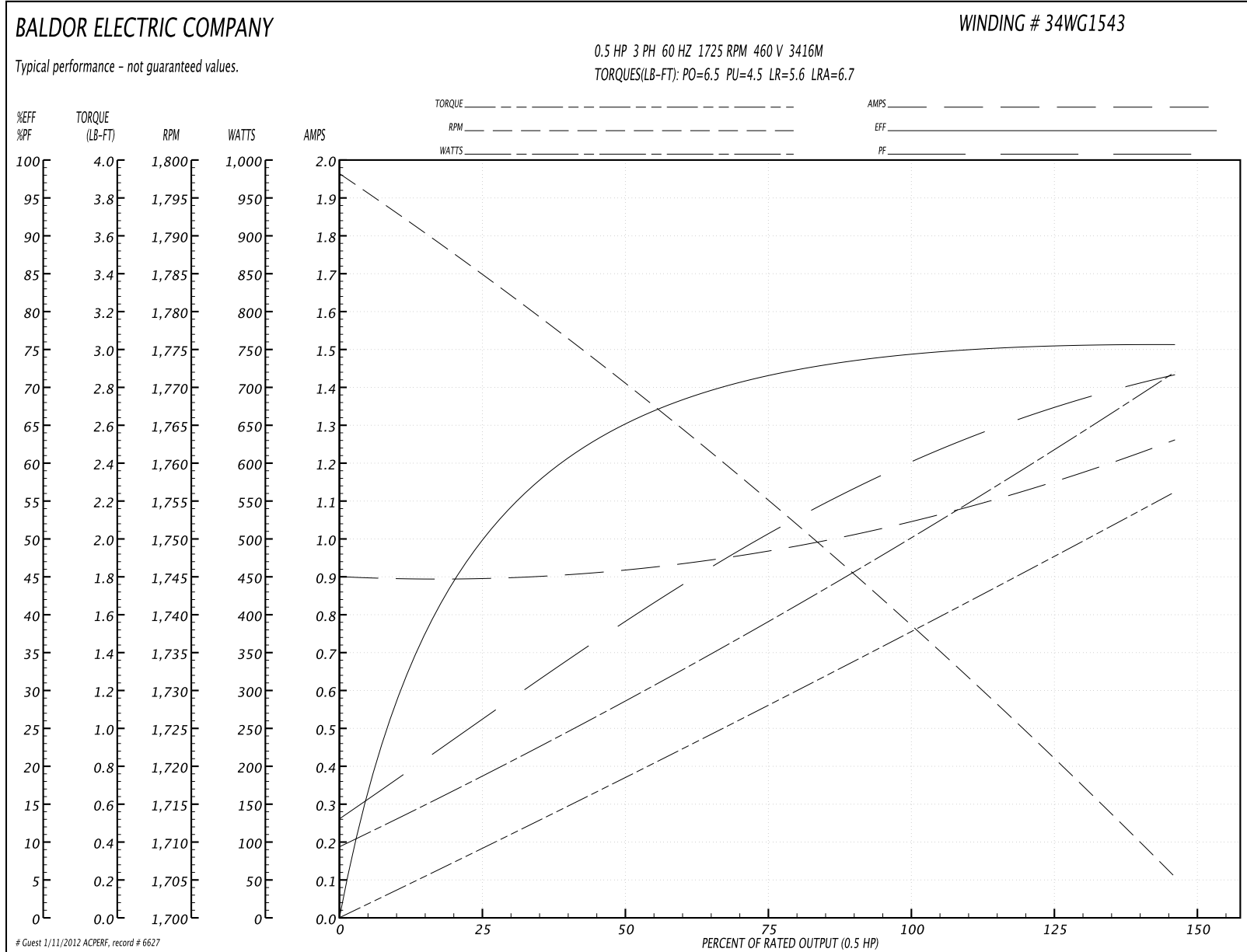
Performance Data at 460V, 60Hz, 0.5HP (Typical performance - Not guaranteed values)
General Characteristics

Full Load Torque:	1.5 LB-FT	Start Configuration:	DOL
No-Load Current:	0.89 Amps	Break-Down Torque:	6.5 LB-FT
Line-line Res. @ 25°C.:	33.0 Ohms A Ph / 0.0 Ohms B Ph	Pull-Up Torque:	4.5 LB-FT
Temp. Rise @ Rated Load:	59 C	Locked-Rotor Torque:	5.6 LB-FT
Temp. Rise @ S.F. Load:		Starting Current:	6.7 Amps

Load Characteristics

% of Rated Load	25	50	75	100	125	150	S.F.
Power Factor:	27.0	39.0	51.0	60.0	67.0	72.0	0.0
Efficiency:	49.8	65.0	71.7	74.5	75.6	75.5	0.0
Speed:	1785.0	1770.0	1756.0	1737.0	1724.0	1705.0	0.0
Line Amperes:	0.9	0.94	0.98	1.0	1.15	1.27	0.0

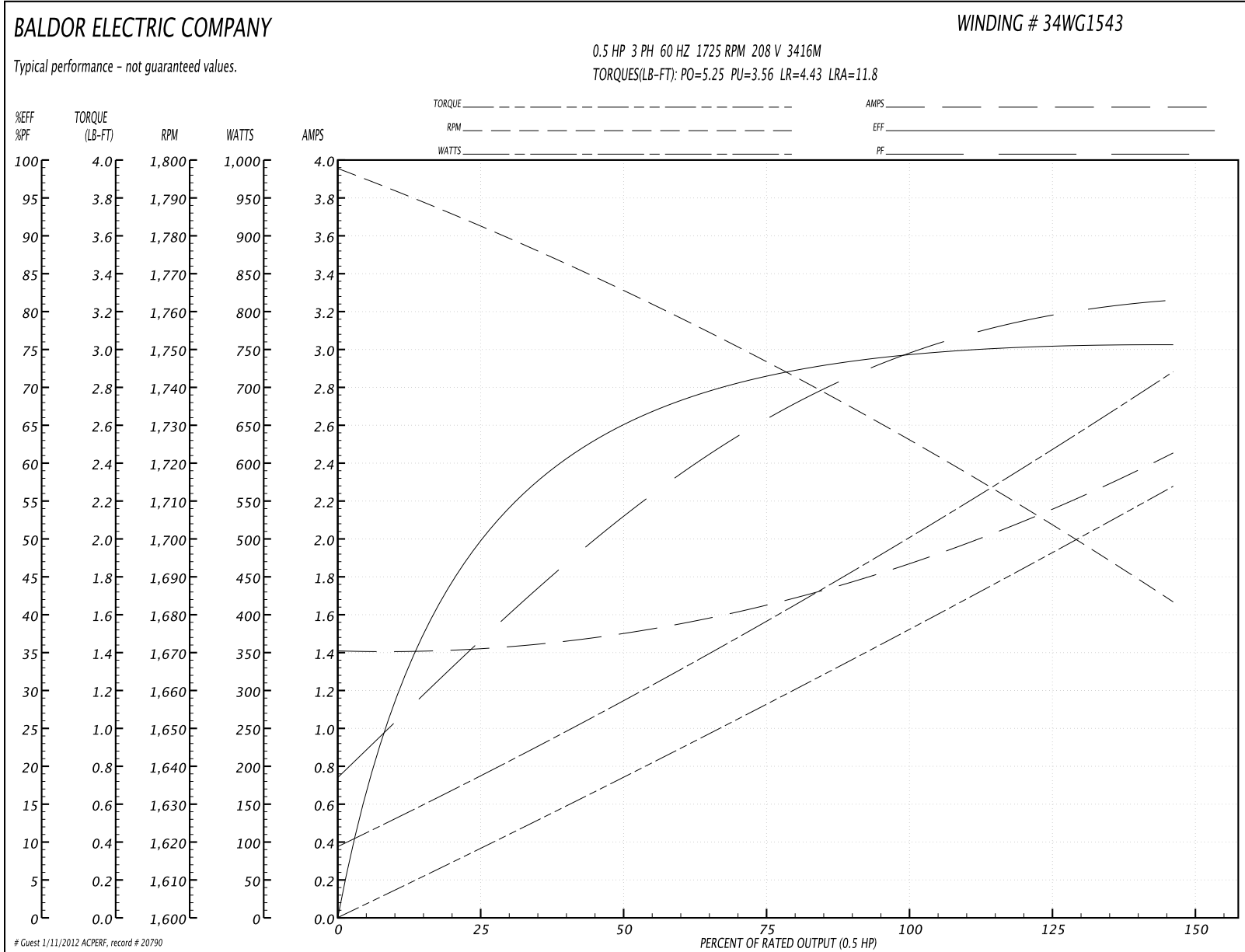
Performance Graph at 460V, 60Hz, 0.5HP Typical performance - Not guaranteed values

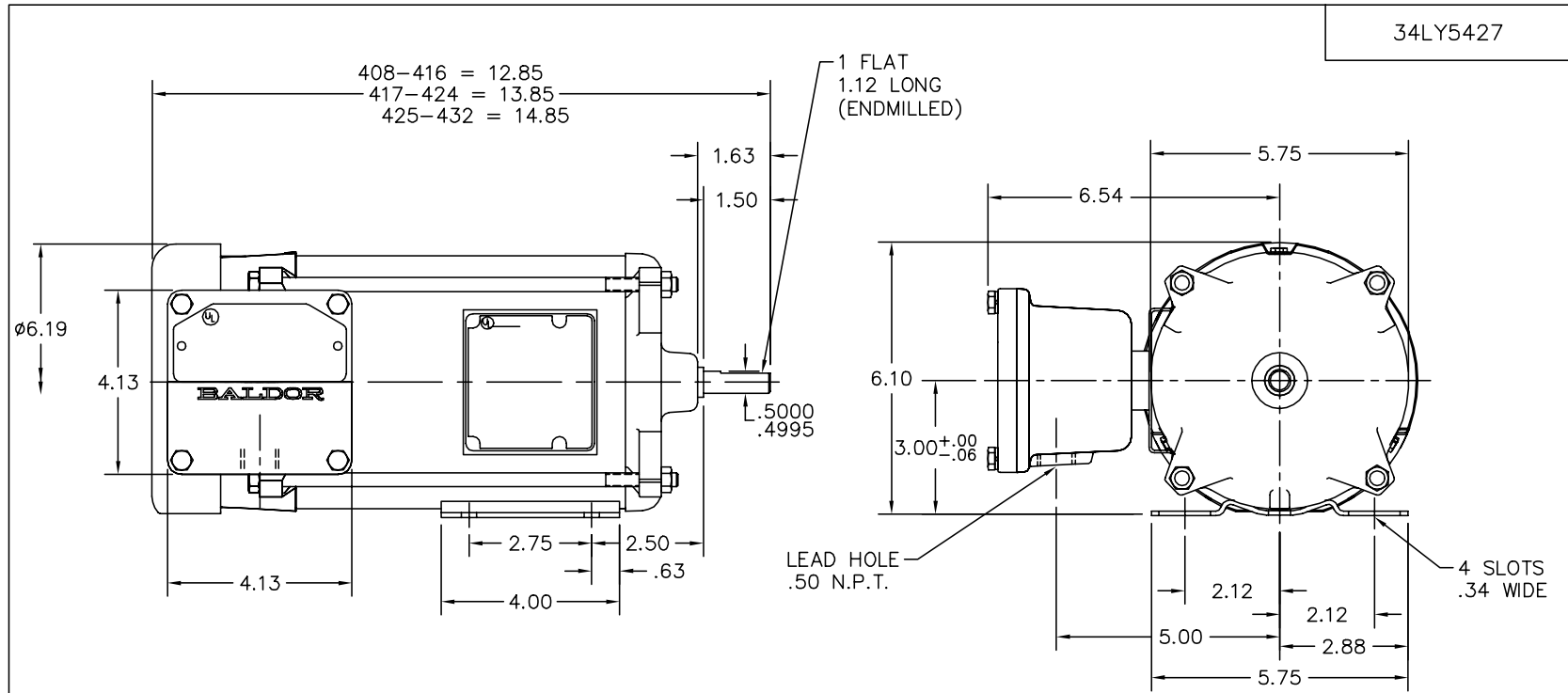


Performance Data at 208V, 60Hz, 0.5HP (Typical performance - Not guaranteed values)

General Characteristics							
Full Load Torque:	1.51 LB-FT			Start Configuration:	DOL		
No-Load Current:	1.39 Amps			Break-Down Torque:	5.25 LB-FT		
Line-line Res. @ 25°C.:	8.35 Ohms A Ph / 0.0 Ohms B Ph			Pull-Up Torque:	3.56 LB-FT		
Temp. Rise @ Rated Load:	50 C			Locked-Rotor Torque:	4.43 LB-FT		
Temp. Rise @ S.F. Load:				Starting Current:	11.8 Amps		
Load Characteristics							
% of Rated Load	25	50	75	100	125	150	S.F.
Power Factor:	37.0	52.0	65.0	77.0	79.0	81.0	0.0
Efficiency:	49.3	64.9	71.8	74.4	75.5	75.5	0.0
Speed:	1782.0	1765.0	1748.0	1725.0	1707.0	1683.0	0.0
Line Amperes:	1.43	1.54	1.67	1.79	2.14	2.47	0.0

Performance Graph at 208V, 60Hz, 0.5HP Typical performance - Not guaranteed values





CUSTOMER IS RESPONSIBLE FOR DETERMINING THAT MOTOR PERFORMANCE IS SUITABLE IN THE APPLICATION.

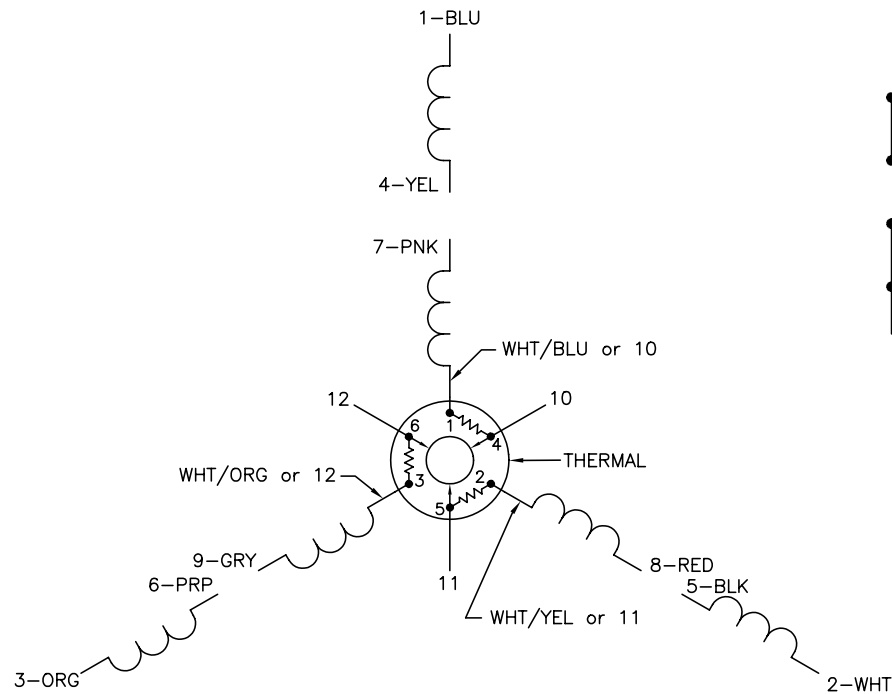
REV. LTR: D			VERSION: 02			TDR: 000000431999		
34LY5427			FILE: \AAA\00026\673			REVISED: 07:50:45 05/18/2007		
			MTL: -			BY: ENMARW1		

BALDOR ELECTRIC Co.

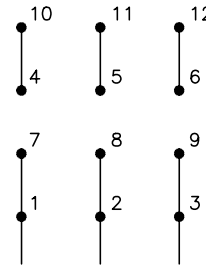
STD HORZ X34M NEMA 48 TEFC CLASS 1 GP D, CL 2 GP F & G

34LY5427

CD0007

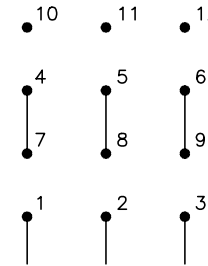


LOW VOLTAGE
(2Y)



LINE

HIGH VOLTAGE
(1Y)



LINE

NOTES:

1. INTERCHANGE ANY TWO LINE LEADS TO REVERSE ROTATION.
2. ACTUAL NUMBER OF INTERNAL PARALLEL CIRCUITS MAY VARY.
3. LEAD COLORS ARE OPTIONAL. LEADS MUST ALWAYS BE NUMBERED AS SHOWN.

REV. DESC: ADDED "CK" PLANT CODE			
REV. LTR: E	BY: EAH	REVISED: 05/06/99 17:1	TDR: 0181040
L00000		FILE: AAA00008370	MDL: -
		MTL: -	

BALDOR ELECTRIC Co.

3PH, DV, THERMAL, 12 LEADS

CD0007