

# **BALDOR® • RELIANCE**

**Product Information Packet**

**ELECTRIC MOTOR WHOLESAL.COM**

**M74154T-4**

**125/150 CHP, 1480/1780RPM, 3PH, 50/61HZ, 445**

Part Detail							
Revision:	S	Status:	INA/A	Change #:		Proprietary:	No
Type:	AC	Prod. Type:	1876M	Elec. Spec:	18WGX176	CD Diagram:	CD0006
Enclosure:	XPFC	Mfg Plant:		Mech. Spec:	18J066	Layout:	18LYJ066
Frame:	445T	Mounting:	F1	Poles:	04	Created Date:	
Base:	RG	Rotation:	R	Insulation:	B	Eff. Date:	04-09-2009
Leads:	3#2					Replaced By:	
Literature:		Elec. Diagram:					

Nameplate NP0978XP							
NO.		TEMP CODE	T4				
SPEC.	18J066X176H1	DE BRG	6319				
CAT.NO.	M74154T-4	ODE BRG	6314				
HP	150//125	GREASE	POLYREX EM				
VOLTS	460//380	MOTOR WEIGHT	1450				
AMPS	167//168	NEMA-NOM-EFF	95				
RPM	1780//1480	FL PF	88				
CYCLE	60//50	PH	3	CL	B	FRAME	445T
SER.F.	1.00	DES	B	CODE	G	CC	
SER.		BLANK					
RATING	40C AMB-CONT						
USABLE AT 208V							

Parts List		
Part Number	Description	Quantity
SA052229	SA 18J066X176H1	1.000 EA
RA047034	RA 18J066X176H1	1.000 EA
18FN3000A04	FAN, PLASTIC ASSEMBLED TDR#17733 KENCO	1.000 EA
18CB1004A01	STD CONDUIT BOX 444-449T 318 EXPL PROOF	1.000 EA
10XN6311K36	5/8-11 X 2.25 HEX HD CAP SCREW, GRADE 5	4.000 EA
WD1000B21	.50-13 SERV.POST,BURNDY KC26,T&B SP6SS	1.000 EA
18EP1706A22	FREP 449T 6314 BRG XP W/DRAIN HW4505A02	1.000 EA
HW4505A02	BREATHER/DRAIN-EXP PROOF-.250-18 PTF AIS	1.000 EA
HW3023E06	.125 X .625 SPIRAL SPRING PIN	1.000 EA
84XN7510J56	SOC HD CAP SCR, 3/4-10 X 3.50 LONG, STL,	6.000 EA
HW1001A75	WASHER, 3/4 SPLT LK, ZN	6.000 EA
HW5100A17	WVY WASHER W5817-055	1.000 EA
10XN3816K60	3/8-16 X 3.75 HEX HD CAP SCREW, GRADE 5	4.000 EA
HW1001A38	LOCKWASHER 3/8, ZINC PLT .688 OD, .382 I	4.000 EA
10XN3816K72	3/8-16 X 4.50 HEX HEAD CAP SCREW GR 5 CZ	4.000 EA
HW1001A38	LOCKWASHER 3/8, ZINC PLT .688 OD, .382 I	4.000 EA
18EP1707A14	STD PU EP 447-9T 318 6319 BRG EXPL.PROO	1.000 EA
HW4505A02	BREATHER/DRAIN-EXP PROOF-.250-18 PTF AIS	1.000 EA
HW3023E06	.125 X .625 SPIRAL SPRING PIN	1.000 EA
84XN7510J56	SOC HD CAP SCR, 3/4-10 X 3.50 LONG, STL,	6.000 EA
HW1001A75	WASHER, 3/4 SPLT LK, ZN	6.000 EA
18FH1002A13	STANDARD BLOWER HOUSING 318 FRAME - EXPL	1.000 EA
HA3106A05	THRUBOLT, 1/2-13-X 7.625 X	4.000 EA
HW1001A50	LOCKWASHER 1/2, ZINC PLT,.879 OD, .509 I	4.000 EA

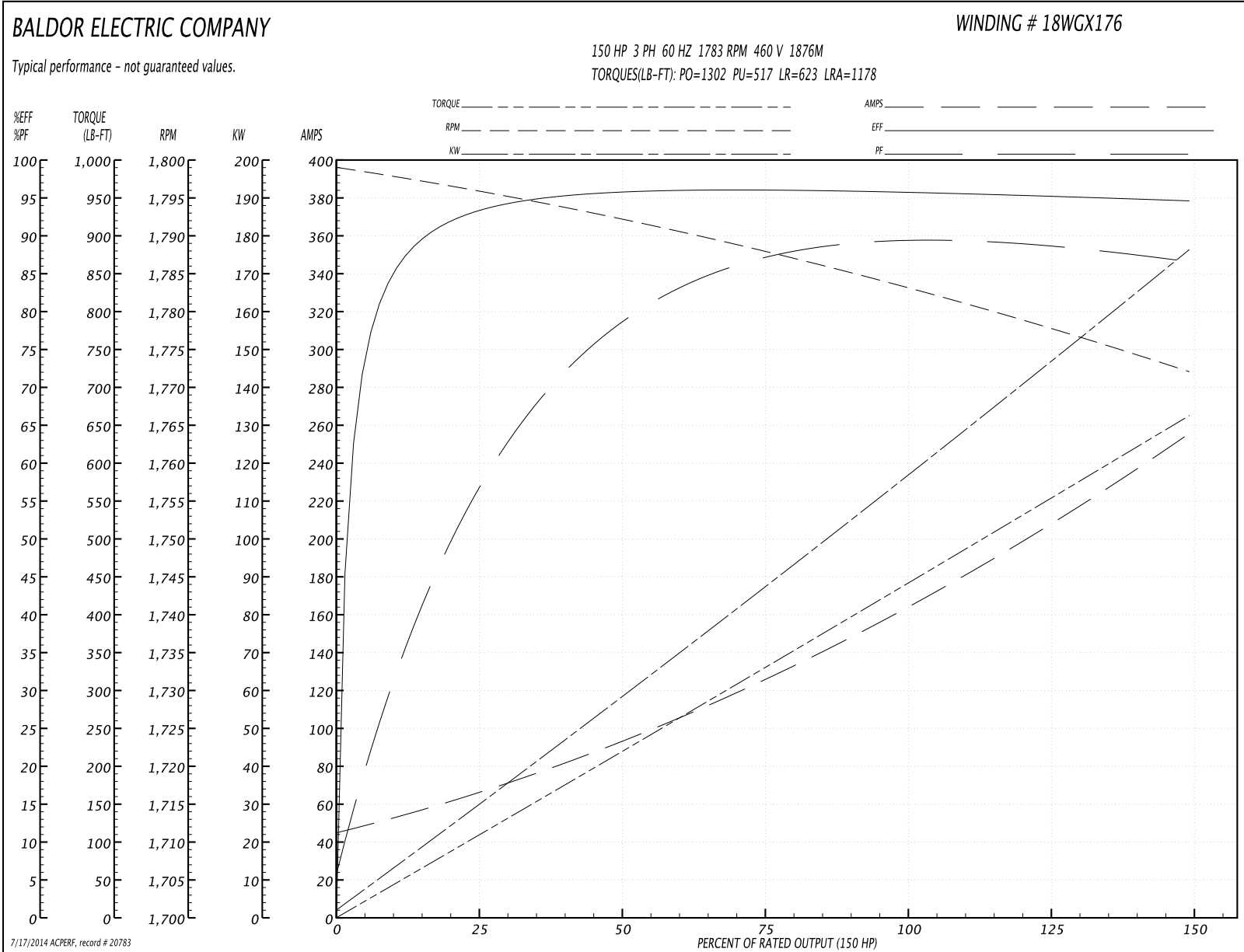
Parts List (continued)		
Part Number	Description	Quantity
18CB1504A01	STD CONDUIT BOX LID 444-449T 318 EXPL PR	1.000 EA
84XN6311J32	5/8-11 X 2.00" HX SOCKET,BLK OXIDE	10.000 EA
HW1001A63	WASHER, 5/8 SPLIT LK, ZN	10.000 EA
LB1073	ALUM XP CAUTION LABEL	1.000 EA
85XU0407A04	#4-7 X 1/4 DRIVE PIN	2.000 EA
HA6335A01	STD GRILLE 318 USE W/FANCOVER 18FH1002	1.000 EA
10XN3118K16	5/16-18 X 1" GRADE #5, STL, ZINC PLATE	3.000 EA
HW1001A31	LOCKWASHER 5/16, ZINC PLT.591 OD, .319 I	3.000 EA
187X0033	HOLE PLUG, NEOPRENE AC GRILL 50 DURO.	1.000 EA
HW2501L49	KEY 7/8 SQ X 6.750	1.000 EA
LB1115N	LABEL,LIFTING DEVICE (ON ROLLS)	1.000 EA
LB5040	INSTRUCT TAG, REPL W/MN416 OR MN416A01	1.000 EA
HW4500A21	1618BALEMITE FITTING 825 UNIVERSAL	1.000 EA
HA4017A08	.125X3.50 GREASER EXTEN.	1.000 EA
HW4500A20	1/8NPT SL PIPE PLUG	1.000 EA
HA4051A00	PLASTIC CAP FOR GREASE FITTING	1.000 EA
MJ1000A75	GREASE, POLYREX EM EXXON (USe 4824-15A)	0.400 LB
HW4500A03	GREASE FITTING, .125 NPT 1610(ALEMITE) 8	1.000 EA
HW4500A20	1/8NPT SL PIPE PLUG	1.000 EA
HA4051A00	PLASTIC CAP FOR GREASE FITTING	1.000 EA
HW2500A25	WOODRUFF KEY USA #1008 #BLOW CARBON STEE	1.000 EA
MG1025G05	MEDIUM CHARCOAL METALLIC GREY - 789.201	0.150 GA
85XU0407A04	#4-7 X 1/4 DRIVE PIN	4.000 EA
LB1119N	WARNING LABEL	1.000 EA

Parts List (continued)		
Part Number	Description	Quantity
LB1125C04	STD-E (STOCK CTN LABEL STD-E WITH FLAG)	4.000 EA
LC0006	CONNECTION LABEL	1.000 EA
NP0978XP	BR XP UL CSA CC CL-I GP-C&D CL-II GP-F&G	1.000 EA
18PA1011	PACKAGING GROUP, WIDE 318 X-PROOF	1.000 EA
MN416A01	TAG-INSTAL-MAINT no wire. (100/bx) 8/12	1.000 EA

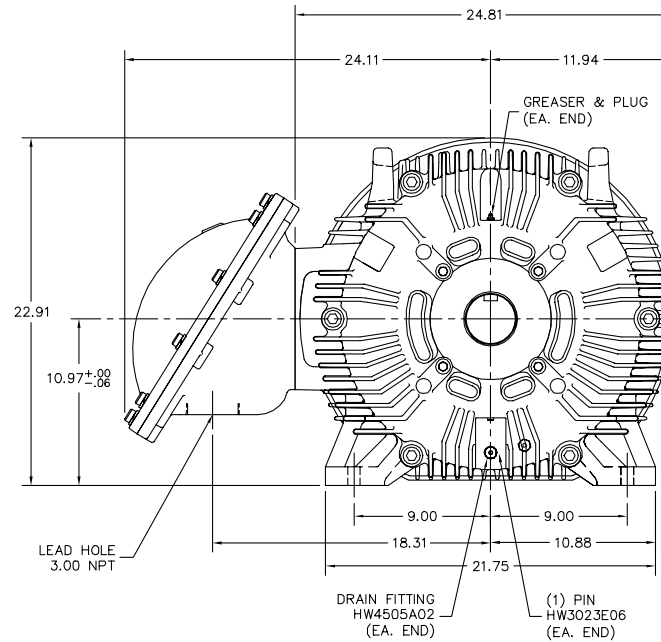
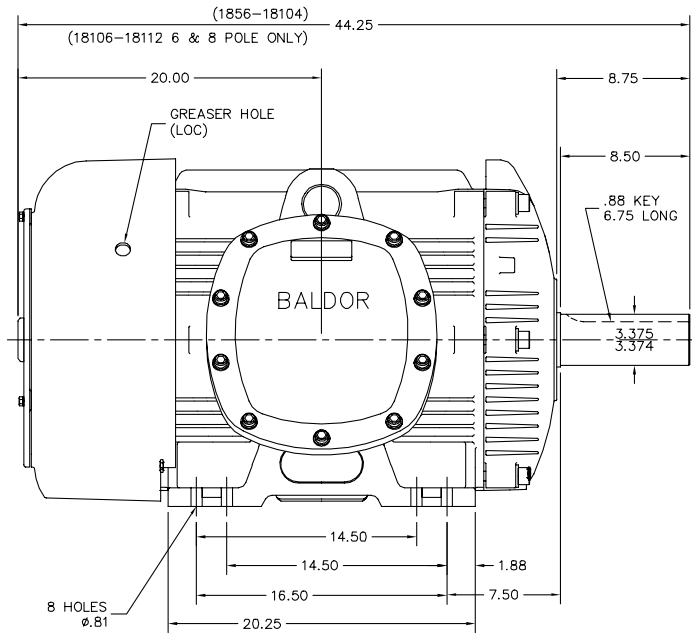
**Performance Data at 460V, 60Hz, 150.0HP (Typical performance - Not guaranteed values)**

General Characteristics							
Full Load Torque:	442.0 LB-FT			Start Configuration:	DOL		
No-Load Current:	47.8 Amps			Break-Down Torque:	1302.0 LB-FT		
Line-line Res. @ 25°C.:	0.0275 Ohms A Ph / 0.0 Ohms B Ph			Pull-Up Torque:	517.0 LB-FT		
Temp. Rise @ Rated Load:	70 C			Locked-Rotor Torque:	623.0 LB-FT		
Temp. Rise @ S.F. Load:				Starting Current:	1178.0 Amps		
Load Characteristics							
% of Rated Load	25	50	75	100	125	150	S.F.
Power Factor:	61.0	80.0	87.0	88.0	88.0	88.0	0.0
Efficiency:	92.9	95.6	96.0	95.8	95.4	94.5	0.0
Speed:	1796.0	1792.0	1788.0	1783.0	1778.0	1772.0	0.0
Line Amperes:	62.3	92.4	126.7	166.6	208.6	253.9	0.0

Performance Graph at 460V, 60Hz, 150.0HP Typical performance - Not guaranteed values



18LYJ066



18LYJ066

CUSTOMER IS RESPONSIBLE FOR DETERMINING THAT BALDOR'S PRODUCT WILL PERFORM SUITABLY IN THE INTENDED APPLICATION.

REV. DESC: REPLACED HW4500A17 WITH HW4500A20	TDR: 000000490277
REV. LTR: G	VERSION: 03
FILE: \AAA\00030\872	REVISED: 07:00:23 03/27/2009
MTL: -	BY: ENGAMG0

**BALDOR • DODGE • RELIANCE**

STD HORZ TEFC 444-5T XP  
SH 1 of 1

CD0006



NOTES:

1. THREE LEAD MOTOR MAY BE EITHER WYE CONNECTED OR DELTA CONNECTED.
2. INTERCHANGE ANY TWO LINE LEADS TO REVERSE ROTATION.
3. OPTIONAL THERMOSTATS ARE PROVIDED WHEN SPECIFIED.
4. ACTUAL NUMBER OF INTERNAL PARALLEL CIRCUITS MAY VARY.
5. LEAD COLORS ARE OPTIONAL. LEADS MUST BE NUMBERED AS SHOWN.

REV. DESC: REVISE TO SHOW OPTIONAL COLORS			
REV. LTR: D	BY: JLP	REVISED: 01/21/99 4:02	TDR: 0171435
9000D		FILE: AAA00005141	MDL: -
		MTL: -	

**BALDOR ELECTRIC Co.**

3PH, SV, 3 LEADS, WYE OR DELTA CONNECTED

CD0006