

BALDOR® • RELIANCE

Product Information Packet

ELECTRIC MOTOR WHOLESAL.COM

NM3554T

1.5HP, 1755RPM, 3PH, 60HZ, 145T, 3526M, TENV, F

Part Detail							
Revision:	F	Status:	PRD/A	Change #:		Proprietary:	No
Type:	AC	Prod. Type:	3526M	Elec. Spec:	35WGP689	CD Diagram:	
Enclosure:	TENV	Mfg Plant:		Mech. Spec:	35A025	Layout:	
Frame:	145T	Mounting:	F1	Poles:	04	Created Date:	07-23-2007
Base:	RG	Rotation:	R	Insulation:	F	Eff. Date:	10-25-2011
Leads:	9#18	Literature:		Elec. Diagram:		Replaced By:	

Nameplate NP1256L									
CAT.NO.	NM3554T								
SPEC.	35A025P689								
HP	1.5								
VOLTS	208-230/460								
AMP	4.9-4.5/2.25								
RPM	1755								
FRAME	145T	HZ			60	PH	3		
SER.F.	1.15	CODE			M	DES	B	CLASS	F
NEMA-NOM-EFF	85.5	PF			72				
RATING	40C AMB-CONT								
CC				USABLE AT 208V					
DE	6205	ODE			6203				
ENCL	TENV	SN							

Parts List		
Part Number	Description	Quantity
SA160627	SA 35A025P689	1.000 EA
RA149215	RA 35A025P689	1.000 EA
NS2512A01	INSULATOR, CONDUIT BOX X	1.000 EA
35CB3007	35 CB CASTING W/.88 DIA. LEAD HOLE	1.000 EA
36GS1000SP	GASKET-CONDUIT BOX, .06 THICK #SV-330 LE	1.000 EA
51XB1016A07	10-16 X 7/16 HXWSSLD SERTYB	2.000 EA
11XW1032G06	10-32 X .38, TAPTITE II, HEX WSHR SLTD U	1.000 EA
35EP3100M68	STD FR EP-TENV-35L OR M--203 BRG-W/GREAS	1.000 EA
HW4500A01	1641B(ALEMITE)400 UNIV, GREASE FITT	1.000 EA
HW5100A03SP	WAVY WASHER (W1543-017)	1.000 EA
35EP3101A01SP	STD PU EP-ENCLOSED-205 BRG-W/GREASER	1.000 EA
HW4500A01	1641B(ALEMITE)400 UNIV, GREASE FITT	1.000 EA
XY1032A02	10-32 HEX NUT DIRECTIONAL SERRATION	4.000 EA
35CB4521GX	CONDUIT BOX LID KIT	1.000 EA
51XW0832A07	8-32 X .44, TAPTITE II, HEX WSHR SLTD SE	4.000 EA
HW2501D13SP	KEY, 3/16 SQ X 1.375	1.000 EA
HA7000A01	KEY RETAINER 7/8" DIA SHAFT	1.000 EA
85XU0407S04	4X1/4 U DRIVE PIN STAINLESS	2.000 EA
MJ1000A75	GREASE, POLYREX EM EXXON	0.050 LB
MG1000G27	PAINT- S9282E CHARCOAL GREY	0.017 GA
HA3100A18	THRUBOLT 10-32 X 9.250	4.000 EA
LC0005E01	CONN.DIA./WARNING LABEL (LC0005/LB1119)	1.000 EA
LB1125C01	STD (STOCK) CARTON LABEL BALDOR WITH FLA	1.000 EA
NP1256L	ALUM, UL CSA CC, W/O THERMAL, LASER	1.000 EA

Parts List (continued)		
Part Number	Description	Quantity
PA1000	PACKING GROUP 3500 SHORT	1.000 EA

Accessories		
Part Number	Description	Multiplier
35-8762	C FACE KIT	A8
35EP1506A01SP	D-FLANGE KIT	A8

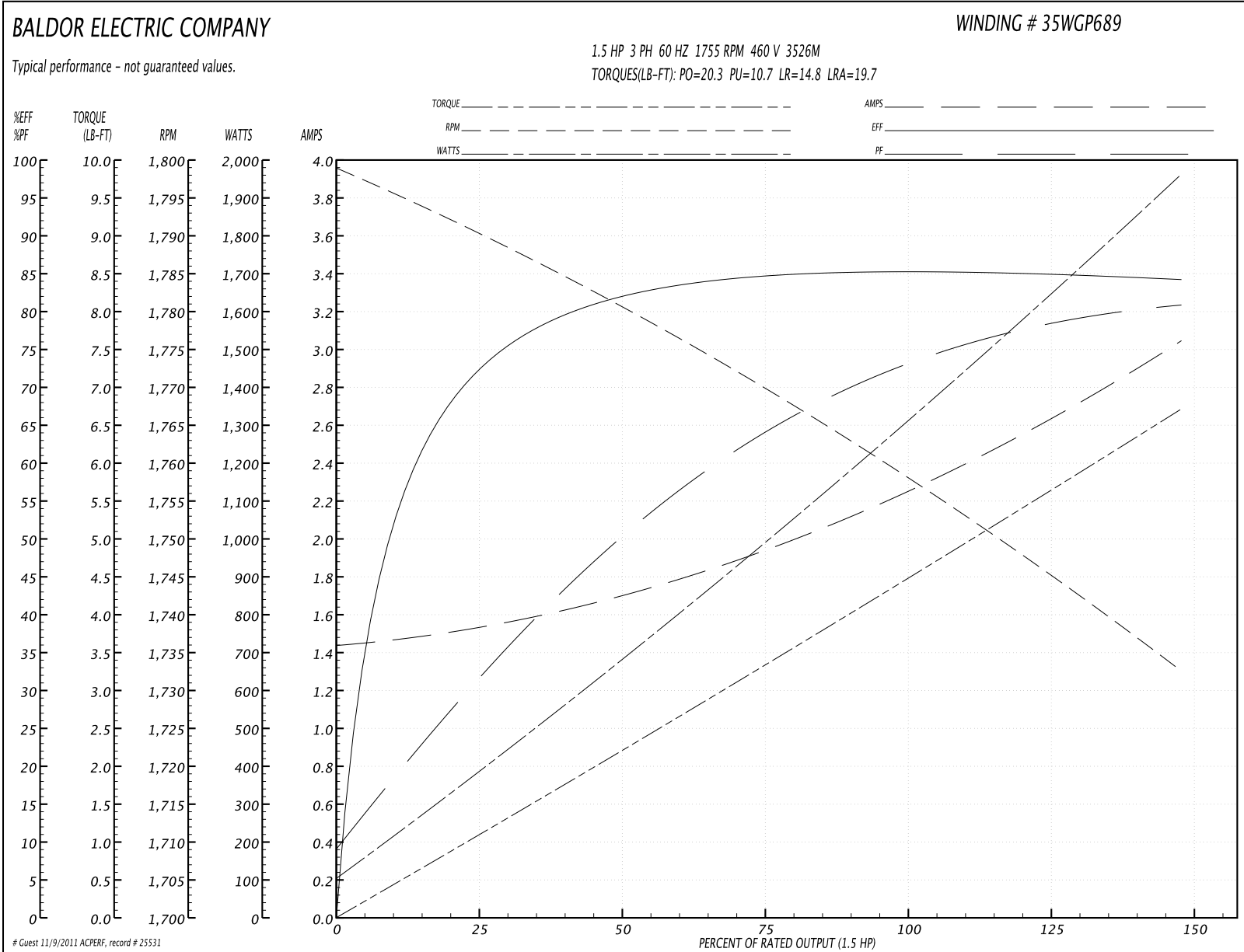
Performance Data at 460V, 60Hz, 1.5HP (Typical performance - Not guaranteed values)
General Characteristics

Full Load Torque:	4.41 LB-FT	Start Configuration:	DOL
No-Load Current:	1.45 Amps	Break-Down Torque:	20.3 LB-FT
Line-line Res. @ 25°C.:	9.05 Ohms A Ph / 0.0 Ohms B Ph	Pull-Up Torque:	10.7 LB-FT
Temp. Rise @ Rated Load:	82 C	Locked-Rotor Torque:	14.8 LB-FT
Temp. Rise @ S.F. Load:	96 C	Starting Current:	19.7 Amps

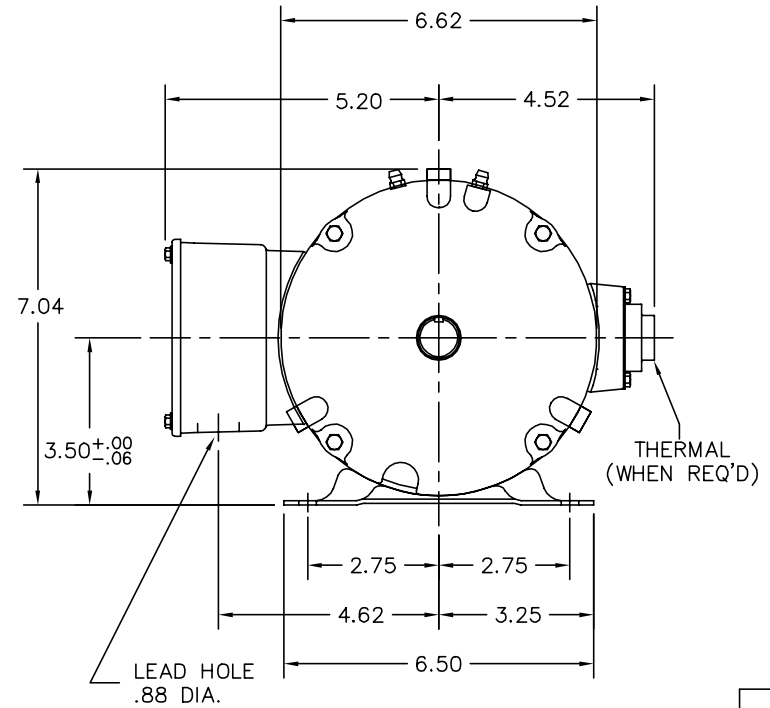
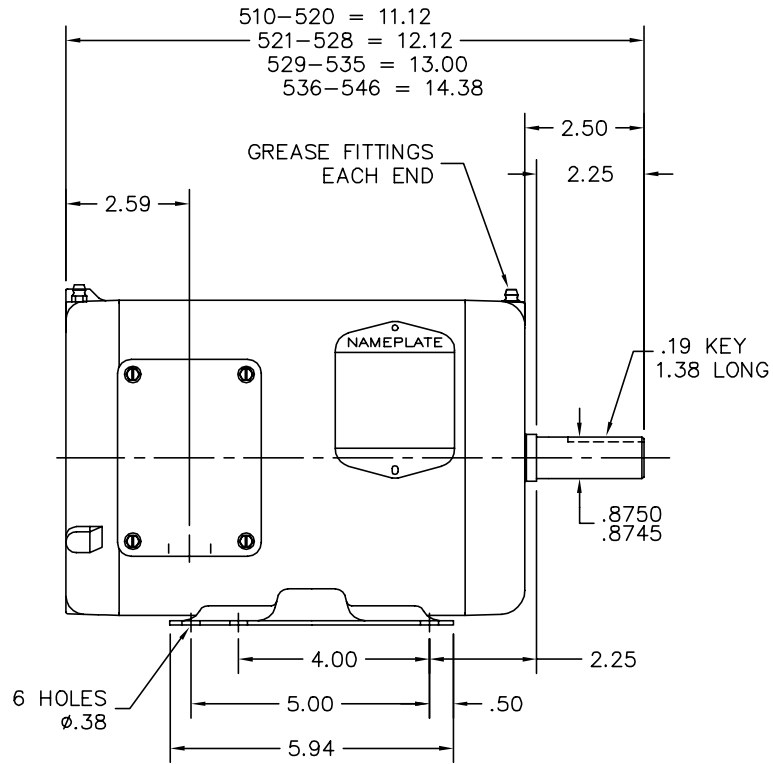
Load Characteristics

% of Rated Load	25	50	75	100	125	150	S.F.
Power Factor:	31.0	50.0	63.0	72.0	78.0	81.0	76.0
Efficiency:	71.6	81.6	84.7	85.5	85.2	84.2	85.3
Speed:	1791.0	1781.0	1770.0	1759.0	1747.0	1732.0	1752.0
Line Amperes:	1.51	1.68	1.93	2.24	2.61	3.04	2.46

Performance Graph at 460V, 60Hz, 1.5HP Typical performance - Not guaranteed values



35LYA025



CUSTOMER IS RESPONSIBLE FOR DETERMINING THAT BALDOR'S PRODUCT WILL PERFORM SUITABLY IN THE INTENDED APPLICATION.

REV. DESC: UPDATE KOLD GRAPHICS

REV. LTR: L

VERSION: 05

TDR: 000000486011

FILE: \AAA\00002\476

REVISED: 13:55:29 12/30/2008

MTL: -

BY: ENCHEBO

BALDOR • DODGE • RELIANCE

STD HORZ 143-5T TENV 35M

SH 1 of 1

35LYA025

CD0005



LOW VOLTAGE
(2Y)



LINE

HIGH VOLTAGE
(1Y)



LINE

NOTES:

1. INTERCHANGE ANY TWO LINE LEADS TO REVERSE ROTATION.
2. OPTIONAL THERMOSTATS ARE PROVIDED WHEN SPECIFIED.
3. ACTUAL NUMBER OF INTERNAL PARALLEL CIRCUITS MAY BE A MULTIPLE OF THOSE SHOWN ABOVE.
4. LEAD COLORS ARE OPTIONAL. LEADS MUST ALWAYS BE NUMBERED AS SHOWN.

REV. DESC: REVISE TO SHOW OPTIONAL COLORS			
REV. LTR: E	BY: JLP	REVISED: 01/19/99 10:15	TDR: 0171435
900000		FILE: AAA00005140	MDL: -
		MTL: -	

BALDOR ELECTRIC Co.

3PH, DV, 9 LEADS

CD0005