

BALDOR® • *RELIANCE*

Product Information Packet

ELECTRIC MOTOR WHOLESAL.COM

UCCE570

5-7HP,3450RPM,1PH,60HZ,184TZ,3640C,TEAO

Part Detail							
Revision:	AF	Status:	PRD/A	Change #:		Proprietary:	No
Type:	AC	Prod. Type:	3640C	Elec. Spec:	36WGW844	CD Diagram:	
Enclosure:	TEAO	Mfg Plant:		Mech. Spec:	36F545	Layout:	
Frame:	184TZ	Mounting:	F1	Poles:	02	Created Date:	
Base:	RG	Rotation:	R	Insulation:	F	Eff. Date:	11-10-2010
Leads:	2#12 A PH,2#16 B	Literature:	Y	Elec. Diagram:		Replaced By:	

Nameplate NP1279L									
CAT.NO.	UCCE570								
SPEC.	36F545W844								
HP	5-7 AIR OVER								
VOLTS	230								
AMP	19-28								
RPM	3450								
FRAME	184TZ	HZ			60	PH	1		
SER.F.	1.00	CODE			F	DES	-	CL	F
NEMA-NOM-EFF	84	PF			98				
RATING	40C AMB-CONT								
CC				USABLE AT 208V					
DE	6206	ODE			6205				
ENCL	TEAO	SN							

Nameplate NP1263L									
CAT.NO.	UCCE570								
SPEC.	36F545W844								
HP	5-7 AIR OVER								
VOLTS	230								
AMP	19-28								
RPM	3450								
FRAME	184TZ	HZ	60	PH	1				
SER.F.	1.00	CODE	F	DES	-	CL	F		
NEMA-NOM-EFF	84	PF	98						
RATING	40C AMB-CONT								
CC			USABLE AT 208V						
DE	6206	ODE	6205						
ENCL	TEAO	SN							

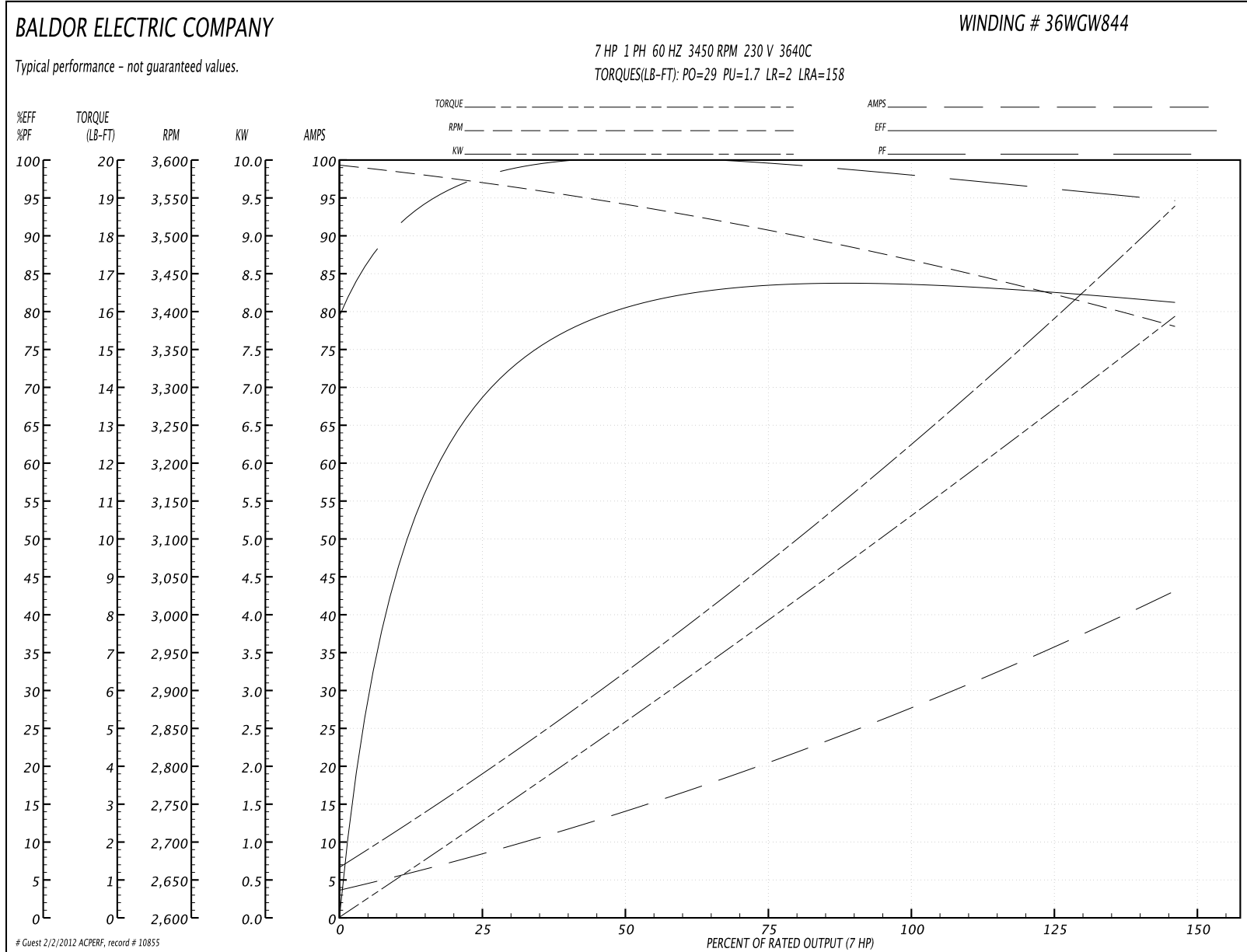
Parts List		
Part Number	Description	Quantity
SA035075	SA 36F545W844	1.000 EA
RA031102	RA 36F545W844	1.000 EA
OC3025F11	CYL OIL CAP 25MFD/370V	2.000 EA
HA6021A01SP	ADAPTOR, MACH	1.000 EA
36GS5000	GASKET CONDUIT ADAPTOR	1.000 EA
51XB1016A07	10-16 X 7/16 HXWSSLD SERTYB	2.000 EA
11XT0832G06	8-32 X 3/8 TY 23 TAPPING	1.000 EA
36EP3101A08	FR ENDPLATE, MACH	1.000 EA
HW4500A19	1/4-28X1/4 SLOTTED PLUG F/S	2.000 EA
NS2501A01	INSULATOR, CAPACITOR	2.000 EA
51XB1016A05	10-16X5/16HX WA SL SR TYB (F/S)	4.000 EA
HW5100A05	WVY WSHR F/205 & 304 BRGS	1.000 EA
36EP3100A06	PU ENDPLATE, MACH	1.000 EA
HW4500A19	1/4-28X1/4 SLOTTED PLUG F/S	2.000 EA
10XN2520A20	1/4-20X 1 1/4 HEX HD X	2.000 EA
HW1001A25	LOCKWASHER 1/4, ZINC PLT .493 OD, .255 I	2.000 EA
XY2520A12	1/4-20 HEX NUT, DIRECTIONAL SERRATIONS	4.000 EA
HW2501E18	KEY, 1/4 SQ X 2.000	1.000 EA
HA7000A02	KEY RETAINER RING, 1 1/8 DIA, 1 3/8 DIA	1.000 EA
85XU0407S04	4X1/4 U DRIVE PIN STAINLESS	2.000 EA
LB1001	LABEL, GREASE-EXXON POLYREX EM	1.000 EA
HW3200A01	3/8-16X3/4 I-BLT WELDED F/S	1.000 EA
WD1000A15	3-520132-2 AMP FLAG (4M/RL NON-CANC/NON-	2.000 EA
MJ1000A75	GREASE, POLYREX EM EXXON	0.050 LB

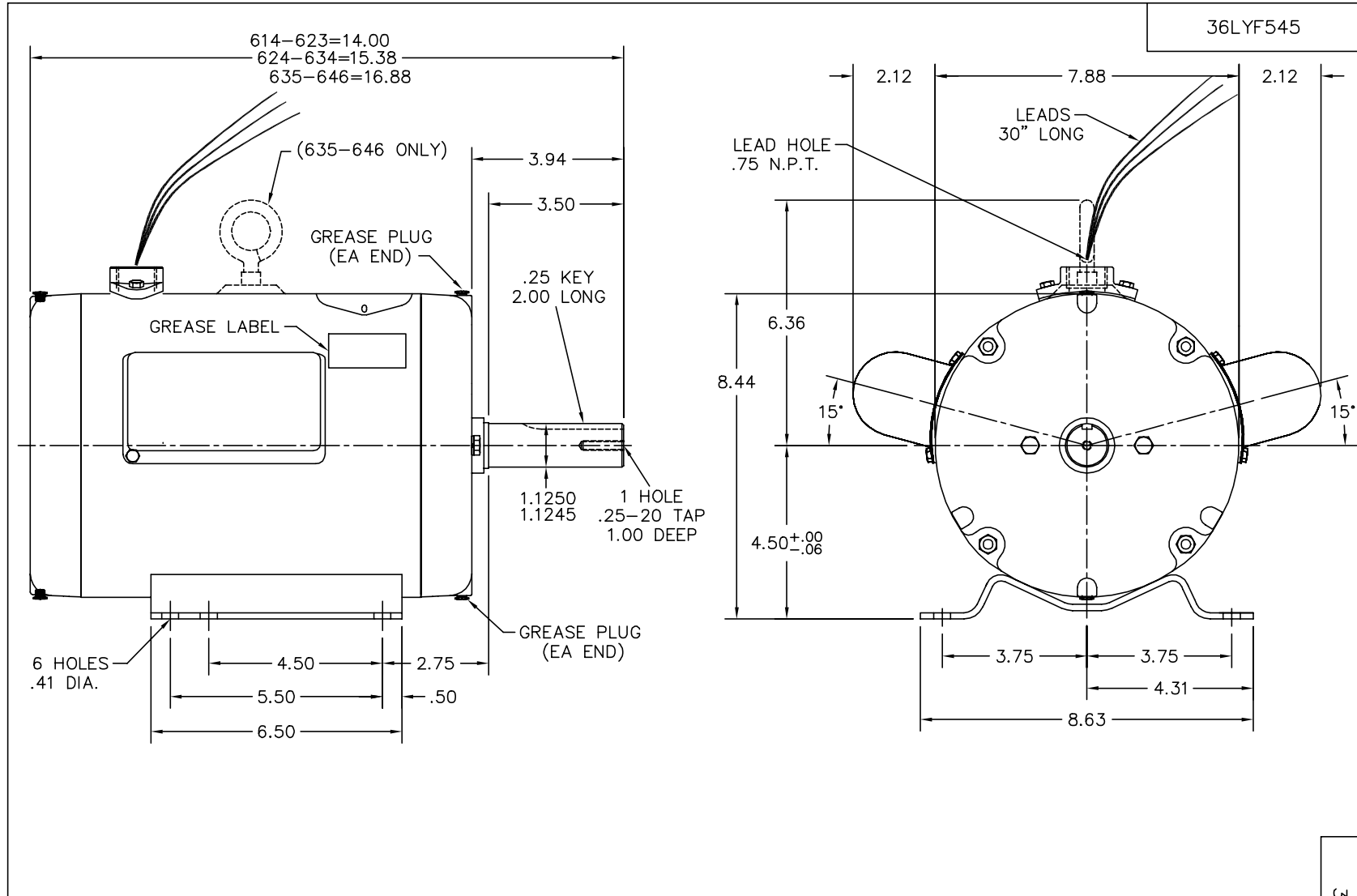
Parts List (continued)		
Part Number	Description	Quantity
LB1115	LABEL,LIFTING DEVICE	1.000 EA
MG1025Z20	ACTIVATOR WILKOFAS 060.32	0.010 GA
LD5000A24	LEAD ASSY, ML1400DF10 W/#10 RING 12"	1.000 EA
35CB4802A02SP	CAPACITOR COVER, STAMPED X W/AUTOPHORET	2.000 EA
35GS3001A02	GASKET, CA.COVER, 5.38 LONG .06 CS301	2.000 EA
HA3101A28	THRUBOLT 1/4-20 X 12.500 OHIO ROD	4.000 EA
MG1025C02	PAINT, 787.105 LITE TAN EPOXY (USE W/MG1	0.022 GA
LB1119	WARNING LABEL	1.000 EA
LB1125C01	STD (STOCK) CARTON LABEL BALDOR WITH FLA	1.000 EA
LC0017	CONN LABEL-1 PHASE-SINGLE VOLT-REV ROTNO	1.000 EA
NP1279L	ALUM, UL CSA, FARM DUTY, W/O THERMAL,	1.000 EA
NP1263L	AUX, GP, ALUM, CC, LASER ETCHED	1.000 EA
36PA1001	PACKAGING GROUP	1.000 EA

Accessories		
Part Number	Description	Multiplier
36-3301	C FACE KIT	A8
36EP1304A62SP	FLANGE MTD ENDPLATE 182-4TD -ENCL (LESS	A8

Performance Data at 230V, 60Hz, 7.0HP (Typical performance - Not guaranteed values)							
General Characteristics							
Full Load Torque:	10.6 LB-FT			Start Configuration:	DOL		
No-Load Current:	3.5 Amps			Break-Down Torque:	29.0 LB-FT		
Line-line Res. @ 25°C.:	0.263 Ohms A Ph / 1.16 Ohms B Ph			Pull-Up Torque:	1.7 LB-FT		
Temp. Rise @ Rated Load:				Locked-Rotor Torque:	2.0 LB-FT		
Temp. Rise @ S.F. Load:				Starting Current:	158.0 Amps		
Load Characteristics							
% of Rated Load	25	50	75	100	125	150	S.F.
Power Factor:	96.0	98.0	98.0	98.0	98.0	97.0	0.0
Efficiency:	68.2	80.0	83.5	84.0	83.0	80.9	0.0
Speed:	3568.0	3538.0	3506.0	3470.0	3428.0	3378.0	0.0
Line Amperes:	8.7	14.5	20.8	27.5	35.0	43.4	0.0

Performance Graph at 230V, 60Hz, 7.0HP Typical performance - Not guaranteed values





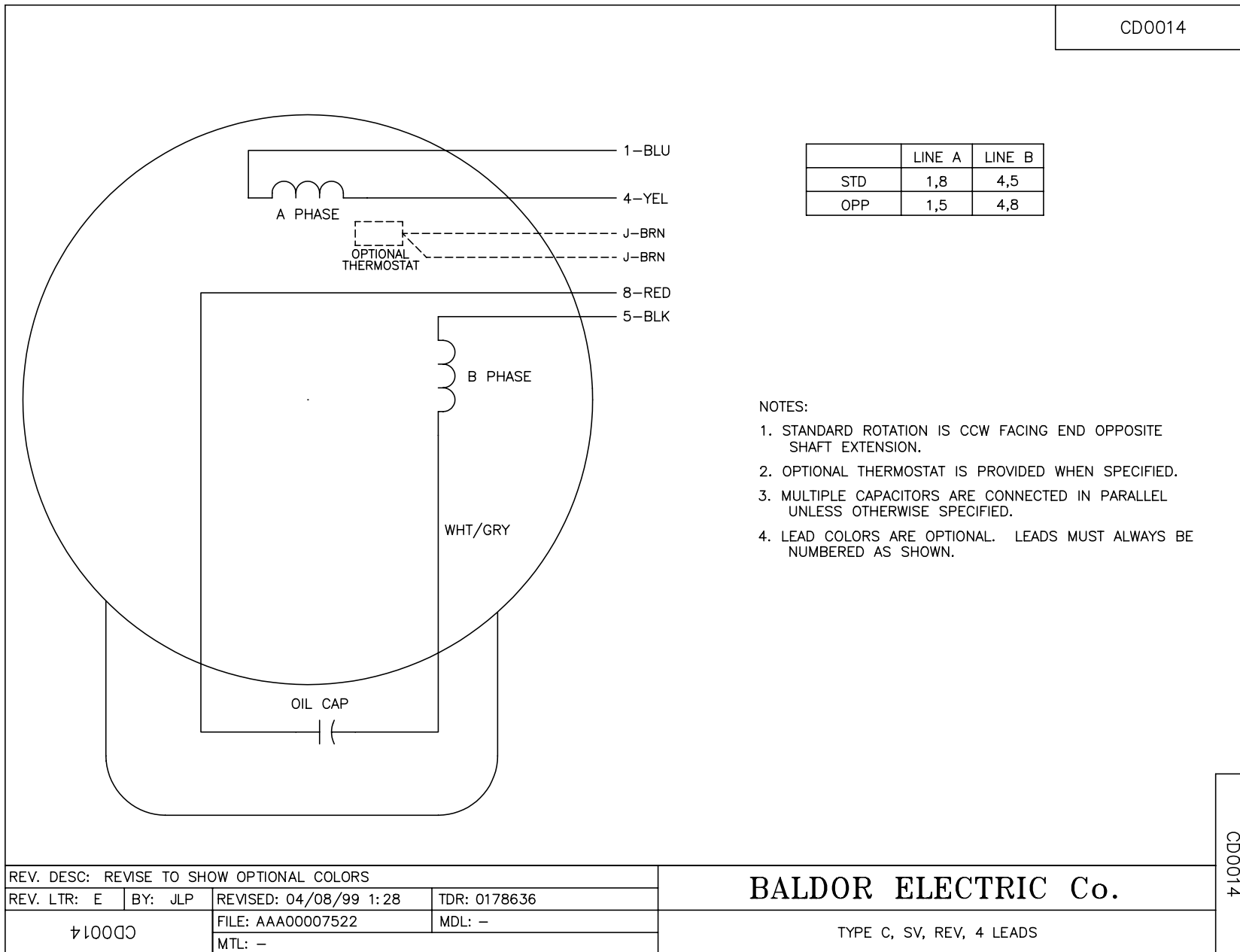
CUSTOMER IS RESPONSIBLE FOR DETERMINING THAT MOTOR PERFORMANCE IS SUITABLE IN THE APPLICATION.

REV. DESC: ADDED EYEBOLT			
REV. LTR: H	BY: SSS	REVISED: 09:05:28 08/19/2002	TDR: 254586
36LYF545		FILE: AAA00004505	REF: 36LYF545
		MTL: -	

BALDOR ELECTRIC Co.
STD HORZ 182-4TZ TEAO 36C (UNIV CROP DRYER)

36LYF545

CD0014



	LINE A	LINE B
STD	1,8	4,5
OPP	1,5	4,8

NOTES:

1. STANDARD ROTATION IS CCW FACING END OPPOSITE SHAFT EXTENSION.
2. OPTIONAL THERMOSTAT IS PROVIDED WHEN SPECIFIED.
3. MULTIPLE CAPACITORS ARE CONNECTED IN PARALLEL UNLESS OTHERWISE SPECIFIED.
4. LEAD COLORS ARE OPTIONAL. LEADS MUST ALWAYS BE NUMBERED AS SHOWN.

REV. DESC: REVISE TO SHOW OPTIONAL COLORS			
REV. LTR: E	BY: JLP	REVISED: 04/08/99 1:28	TDR: 0178636
‡10000		FILE: AAA00007522	MDL: -
		MTL: -	

BALDOR ELECTRIC Co.

TYPE C, SV, REV, 4 LEADS

CD0014