

BALDOR® • RELIANCE

Product Information Packet

ELECTRIC MOTOR WHOLESALE.COM

VJMM3615T

5HP, 1745RPM, 3PH, 60HZ, 184JM, 3634M, TEFC, F1

Part Detail							
Revision:	-	Status:	PRD/A	Change #:		Proprietary:	No
Type:	AC	Prod. Type:	3634M	Elec. Spec:	36WGS543	CD Diagram:	
Enclosure:	TEFC	Mfg Plant:		Mech. Spec:	36S067	Layout:	
Frame:	184JM	Mounting:	F1	Poles:	04	Created Date:	08-27-2010
Base:	N	Rotation:	R	Insulation:	F	Eff. Date:	09-10-2010
Leads:	9#16	Literature:		Elec. Diagram:		Replaced By:	

Nameplate NP1256L

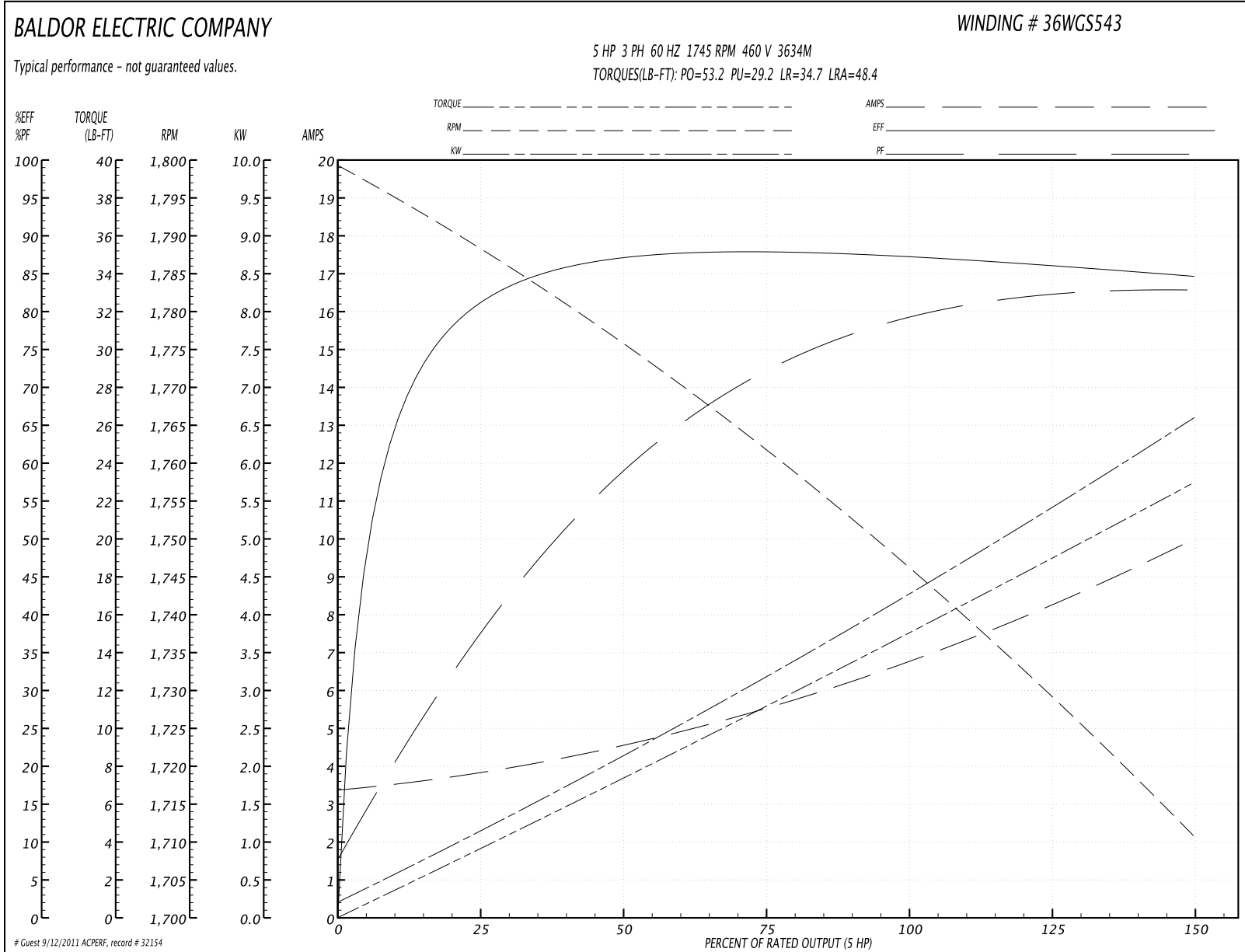
CAT.NO.	VJMM3615T						
SPEC.	36S067S543H1						
HP	5						
VOLTS	208-230/460						
AMP	14.2-13.6/6.8						
RPM	1745						
FRAME	184JM	HZ	60	PH	3		
SER.F.	1.15	CODE	J	DES	A	CLASS	F
NEMA-NOM-EFF	87.5	PF	78				
RATING	40C AMB-CONT						
CC	010A	USABLE AT 208V					
DE	6207	ODE	6205				
ENCL	TEFC	SN					

Parts List		
Part Number	Description	Quantity
SA202691	SA 36S067S543H1	1.000 EA
RA189967	RA 36S067S543H1	1.000 EA
36FN3000A01SP	EXFN, PLASTIC, 7.00 OD, .912 ID	1.000 EA
S/P101-000-000	EPACT PROCEDURES-FS PLANT-POLYREX EM, NO	1.000 EA
36CB3000SP	CONDUIT BOX, CAST	1.000 EA
36GS1000SP	GASKET-CONDUIT BOX, .06 THICK #SV-330 LE	1.000 EA
51XB1016A07	10-16 X 7/16 HXWSSLD SERTYB	2.000 EA
11XW1032G06	10-32 X .38, TAPTITE II, HEX WSHR SLTD U	1.000 EA
HW3001B01	003SS CUP WASHER, FOR #8 SCREW	1.000 EA
36EP3104A01	FREP MACH W/GRSR, RAISED FH PADS	1.000 EA
HW4500A01	1641B(ALEMITE)400 UNIV, GREASE FITT	1.000 EA
HW5100A05	WVY WSHR F/205 & 304 BRGS	1.000 EA
36EP3405T01	PUEP ENCL 207 BRG T'SLV,GRSR,DRAIN	1.000 EA
HW4500A01	1641B(ALEMITE)400 UNIV, GREASE FITT	1.000 EA
10XN2520A24	1/4-20X 1 1/2 HEX HD X	4.000 EA
HW1001A25	LOCKWASHER 1/4, ZINC PLT .493 OD, .255 I	4.000 EA
51XB1214A16	12-14X1.00 HXWSSLD SERTYB	1.000 EA
36FH4009A102SP	IEC FH GREASER W/AUTOPHERETIC PRIMER	1.000 EA
51XW1032A06	10-32 X .38, TAPTITE II, HEX WSHR SLTD S	3.000 EA
35CB4514	35 LIPPED CB LID	1.000 EA
36GS1001SP	GASKET, CONDUIT BOX LID, .06 THICK #SV-3	1.000 EA
51XW0832A07	8-32 X .44, TAPTITE II, HEX WSHR SLTD SE	4.000 EA
HA1005A07SP	SLINGER, OD 2.25, ID 1.344, 307 BRG	1.000 EA
HW2501D13SP	KEY, 3/16 SQ X 1.375	1.000 EA

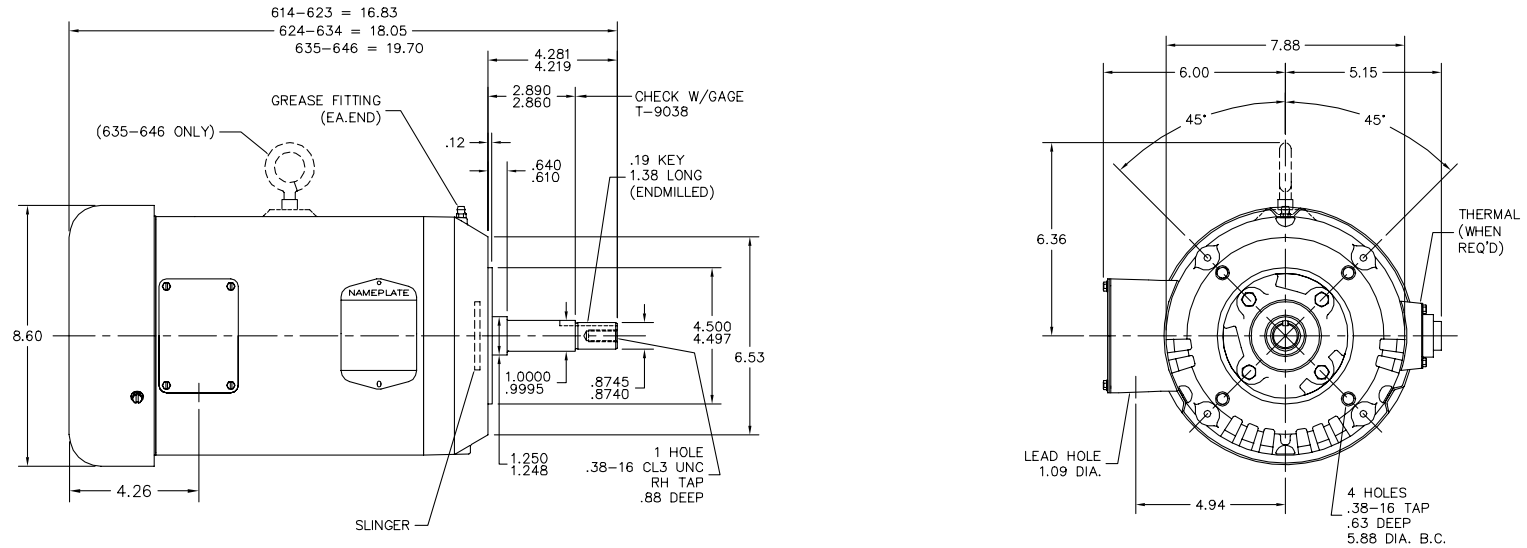
Parts List (continued)		
Part Number	Description	Quantity
HA7000A01	KEY RETAINER 7/8" DIA SHAFT	1.000 EA
85XU0407S04	4X1/4 U DRIVE PIN STAINLESS	2.000 EA
MJ1000A75	GREASE, POLYREX EM EXXON	0.050 LB
MG1000G27	PAINT- S9282E CHARCOAL GREY 55 GALLONS	0.022 GA
HA3101A25	THRUBOLT 1/4-20 X 11.000 OHIO ROD	4.000 EA
LB1125C04	STD-E (STOCK CTN LABEL STD-E WITH FLAG)	1.000 EA
LC0005E01	CONN.DIA./WARNING LABEL (LC0005/LB1119)	1.000 EA
NP1256L	ALUM, UL CSA CC, W/O THERMAL, LASER	1.000 EA
36PA1001	PACKAGING GROUP	1.000 EA
PK3082	STYROFOAM CRADLE	1.000 EA

Performance Data at 460V, 60Hz, 5.0HP (Typical performance - Not guaranteed values)							
General Characteristics							
Full Load Torque:	15.0 LB-FT			Start Configuration:	DOL		
No-Load Current:	3.42 Amps			Break-Down Torque:	53.2 LB-FT		
Line-line Res. @ 25°C.:	2.6196 Ohms A Ph / 0.0 Ohms B Ph			Pull-Up Torque:	29.2 LB-FT		
Temp. Rise @ Rated Load:	78 C			Locked-Rotor Torque:	34.7 LB-FT		
Temp. Rise @ S.F. Load:	96 C			Starting Current:	48.4 Amps		
Load Characteristics							
% of Rated Load	25	50	75	100	125	150	S.F.
Power Factor:	38.0	59.0	72.0	78.0	82.0	83.0	80.0
Efficiency:	80.9	87.1	88.3	87.8	86.6	84.7	87.1
Speed:	1788.2	1775.7	1761.9	1747.1	1729.5	1710.5	1737.0
Line Amperes:	3.77	4.5	5.5	6.83	8.24	9.97	7.68

Performance Graph at 460V, 60Hz, 5.0HP Typical performance - Not guaranteed values



36LYS067



CUSTOMER IS RESPONSIBLE FOR DETERMINING THAT MOTOR PERFORMANCE IS SUITABLE IN THE APPLICATION.

REV. DESC: 36EP3104A01 WAS 36EP3101A01, 36FH4009A102 WAS A03		
REV. LTR: D	VERSION: 01	TDR: 000000381957
FILE: \AAA\00018\266	REVISED: 09:57:25 12/02/2005	BY: ENCHRC0
MTL: -		

BALDOR ELECTRIC Co.

STD VER 182-4JM TEFC M

36LYS067

CD0005

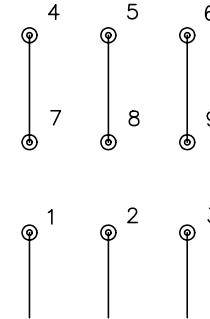


LOW VOLTAGE
(2Y)



LINE

HIGH VOLTAGE
(1Y)



LINE

NOTES:

1. INTERCHANGE ANY TWO LINE LEADS TO REVERSE ROTATION.
2. OPTIONAL THERMOSTATS ARE PROVIDED WHEN SPECIFIED.
3. ACTUAL NUMBER OF INTERNAL PARALLEL CIRCUITS MAY BE A MULTIPLE OF THOSE SHOWN ABOVE.
4. LEAD COLORS ARE OPTIONAL. LEADS MUST ALWAYS BE NUMBERED AS SHOWN.

REV. DESC: REVISE TO SHOW OPTIONAL COLORS			
REV. LTR: E	BY: JLP	REVISED: 01/19/99 10:15	TDR: 0171435
900000		FILE: AAA00005140	MDL: -
		MTL: -	

BALDOR ELECTRIC Co.

3PH, DV, 9 LEADS

CD0005