

BALDOR® • RELIANCE

Product Information Packet

ELECTRIC MOTOR WHOLESAL.COM

VL1301

.33HP,1725RPM,1PH,60HZ,56C,3414L,OPEN,F1

Part Detail							
Revision:	AA	Status:	PRD/A	Change #:		Proprietary:	No
Type:	AC	Prod. Type:	3414L	Elec. Spec:	34WG5507	CD Diagram:	
Enclosure:	OPEN	Mfg Plant:		Mech. Spec:	34F011	Layout:	
Frame:	56C	Mounting:	F1	Poles:	04	Created Date:	
Base:	N	Rotation:	R	Insulation:	B	Eff. Date:	06-09-2011
Leads:	6#18	Literature:		Elec. Diagram:		Replaced By:	

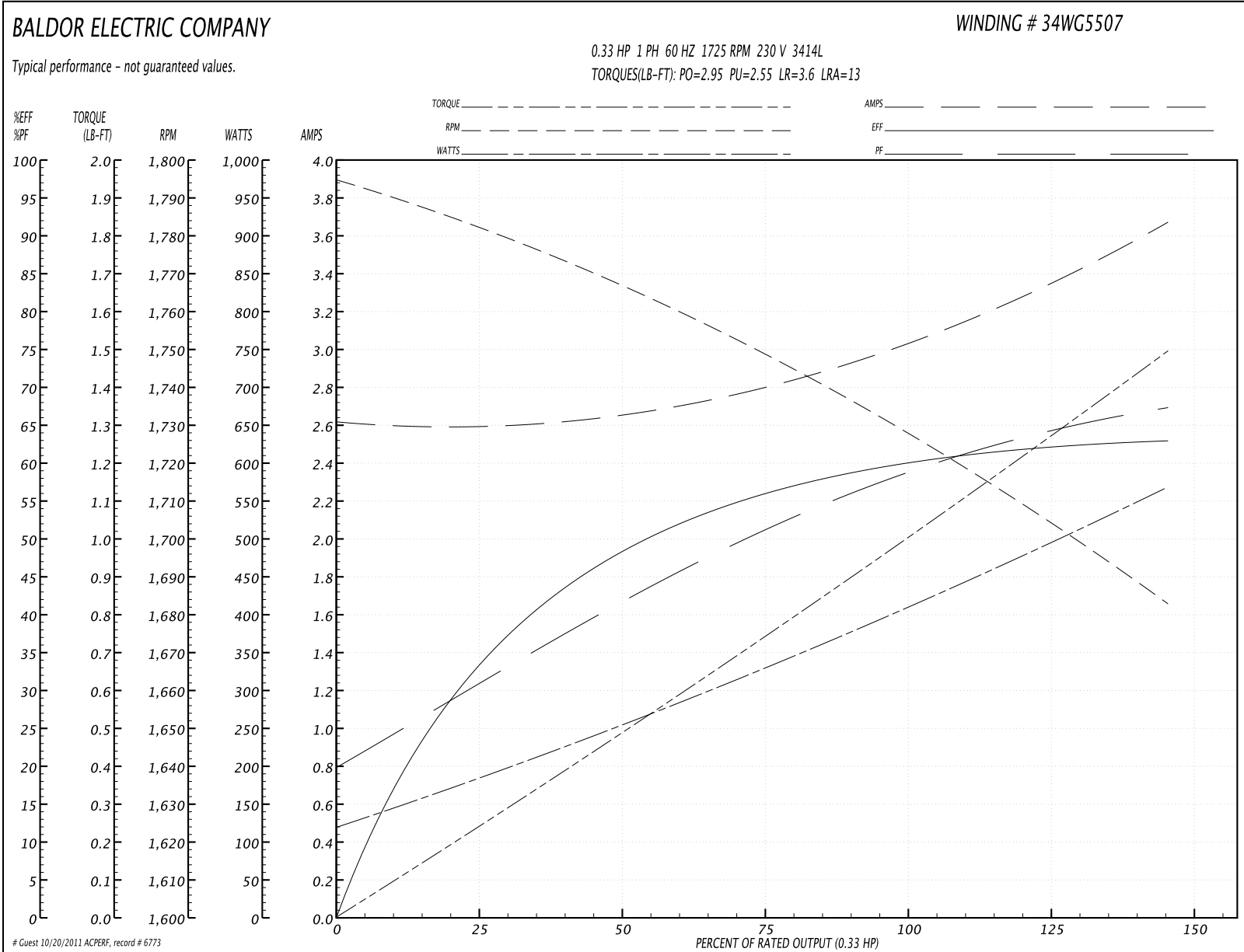
Nameplate NP1256L									
CAT.NO.	VL1301								
SPEC.	34F11-5507								
HP	.33								
VOLTS	115/230								
AMP	6/3								
RPM	1725								
FRAME	56C	HZ			60	PH	1		
SER.F.	1.35	CODE			L	DES	N	CLASS	B
NEMA-NOM-EFF	60	PF			60				
RATING	40C AMB-CONT								
CC				USABLE AT 208V		3.6			
DE	6203	ODE			6203				
ENCL	OPEN	SN							
	SFA 6.8/3.4								

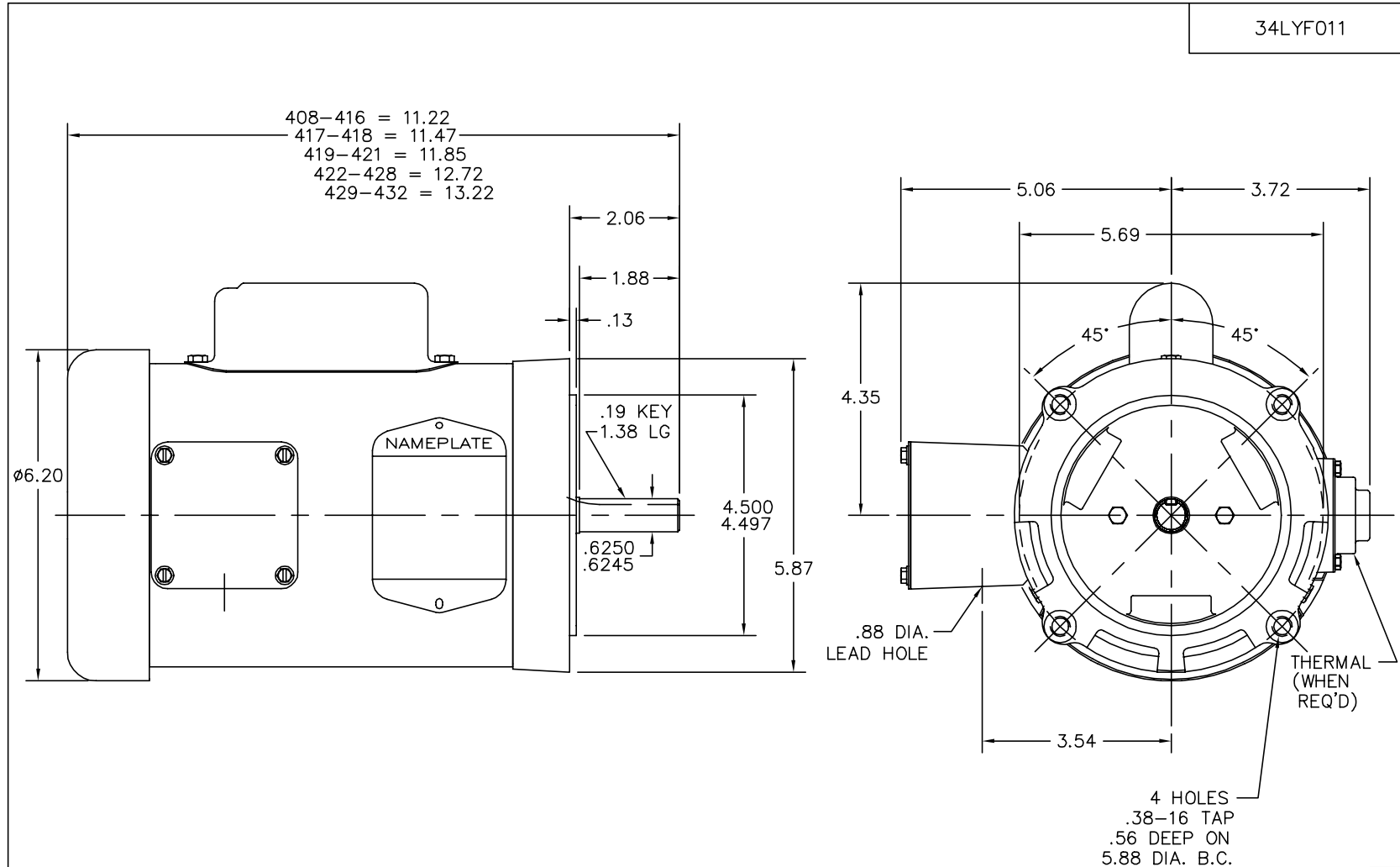
Parts List		
Part Number	Description	Quantity
SA009967	SA 34F11-5507	1.000 EA
RA006412	RA 34F11-5507	1.000 EA
EC1189A02SP	61B2D120189NNBA ELEC CAP, 189-227MFD, 12	1.000 EA
NS2512A01	INSULATOR, CONDUIT BOX X	1.000 EA
34CB3002A	CB CAST W/.88 DIA HOLE	1.000 EA
51XB1016A07	10-16 X 7/16 HXWSSLD SERTYB	2.000 EA
11XW1032G06	10-32 X .38, TAPTITE II, HEX WSHR SLTD U	1.000 EA
51XW0832A07	8-32 X .44, TAPTITE II, HEX WSHR SLTD SE	2.000 EA
SP1006A01	TERM. BOARD, MODE 35 SW X H-23655	1.000 EA
34EP3210A03SP	FR ENDPLATE, MACH	1.000 EA
NS2500A01	INSULATOR, AUTO THER PROT	1.000 EA
34CB4800SP	CAPACITOR COVER, STAMPED	1.000 EA
51XB1016A05	10-16X5/16HX WA SL SR TYB (F/S)	2.000 EA
HW5100A03SP	WAVY WASHER (W1543-017)	1.000 EA
34EP3401A01SP	PU ENDPLATE, MACH	1.000 EA
51XN1032A20	10-32 X 1 1/4 HX WS SL SR	2.000 EA
34AD2000	BAFFLE PLATE, STAMPED	1.000 EA
51XT0632A06	6-32X3/8 TY23 HXWS SLDSR	4.000 EA
34FH4000A11	DRIP COVER, STAMPED	1.000 EA
51XW1032A06	10-32 X .38, TAPTITE II, HEX WSHR SLTD S	3.000 EA
34CB4517	CB LID 4 MTG HOLES .22 DIA STAMPED, FOR	1.000 EA
51XW0832A07	8-32 X .44, TAPTITE II, HEX WSHR SLTD SE	4.000 EA
HW2501D13SP	KEY, 3/16 SQ X 1.375	1.000 EA
HA7000A04	KEY RETAINER 0.625 DIA SHAFTS	1.000 EA

Parts List (continued)		
Part Number	Description	Quantity
MG1000G27	PAINT- S9282E CHARCOAL GREY 55 GALLONS	0.014 GA
10XF0440S02	04-40 X 1/8 TYPE F HEX HD STAINLESS STIC	2.000 EA
SP5056A24	MODEL 34 TYPE L STATIONARY SWITCH WITH L	1.000 EA
HA3100A12	THRUBOLT 10-32 X 7.375	4.000 EA
LB1125C01	STD (STOCK) CARTON LABEL BALDOR WITH FLA	1.000 EA
LC0001A01	CONN LABEL / WARNING LABEL (LC0001 / LB1	1.000 EA
NP1256L	ALUM, UL CSA CC, W/O THERMAL, LASER	1.000 EA
34PA1002	PACKING GROUP, BALDOR	1.000 EA
PK3083T	STYROFOAM PACKING CRADLE W/TAPE	1.000 EA

Performance Data at 230V, 60Hz, 0.33HP (Typical performance - Not guaranteed values)							
General Characteristics							
Full Load Torque:	1.0 LB-FT			Start Configuration:	DOL		
No-Load Current:	2.6 Amps			Break-Down Torque:	2.95 LB-FT		
Line-line Res. @ 25°C.:	6.32 Ohms A Ph / 4.93 Ohms B Ph			Pull-Up Torque:	2.55 LB-FT		
Temp. Rise @ Rated Load:	43 C			Locked-Rotor Torque:	3.6 LB-FT		
Temp. Rise @ S.F. Load:	53 C			Starting Current:	13.0 Amps		
Load Characteristics							
% of Rated Load	25	50	75	100	125	150	S.F.
Power Factor:	31.0	41.0	51.0	60.0	66.0	72.0	70.0
Efficiency:	34.0	49.0	56.0	60.0	62.0	63.0	63.0
Speed:	1783.0	1765.0	1745.0	1730.0	1710.0	1680.0	1695.0
Line Amperes:	2.6	2.7	2.8	3.0	3.3	3.7	3.4

Performance Graph at 230V, 60Hz, 0.33HP Typical performance - Not guaranteed values





CUSTOMER IS RESPONSIBLE FOR DETERMINING THAT MOTOR PERFORMANCE IS SUITABLE IN THE APPLICATION.

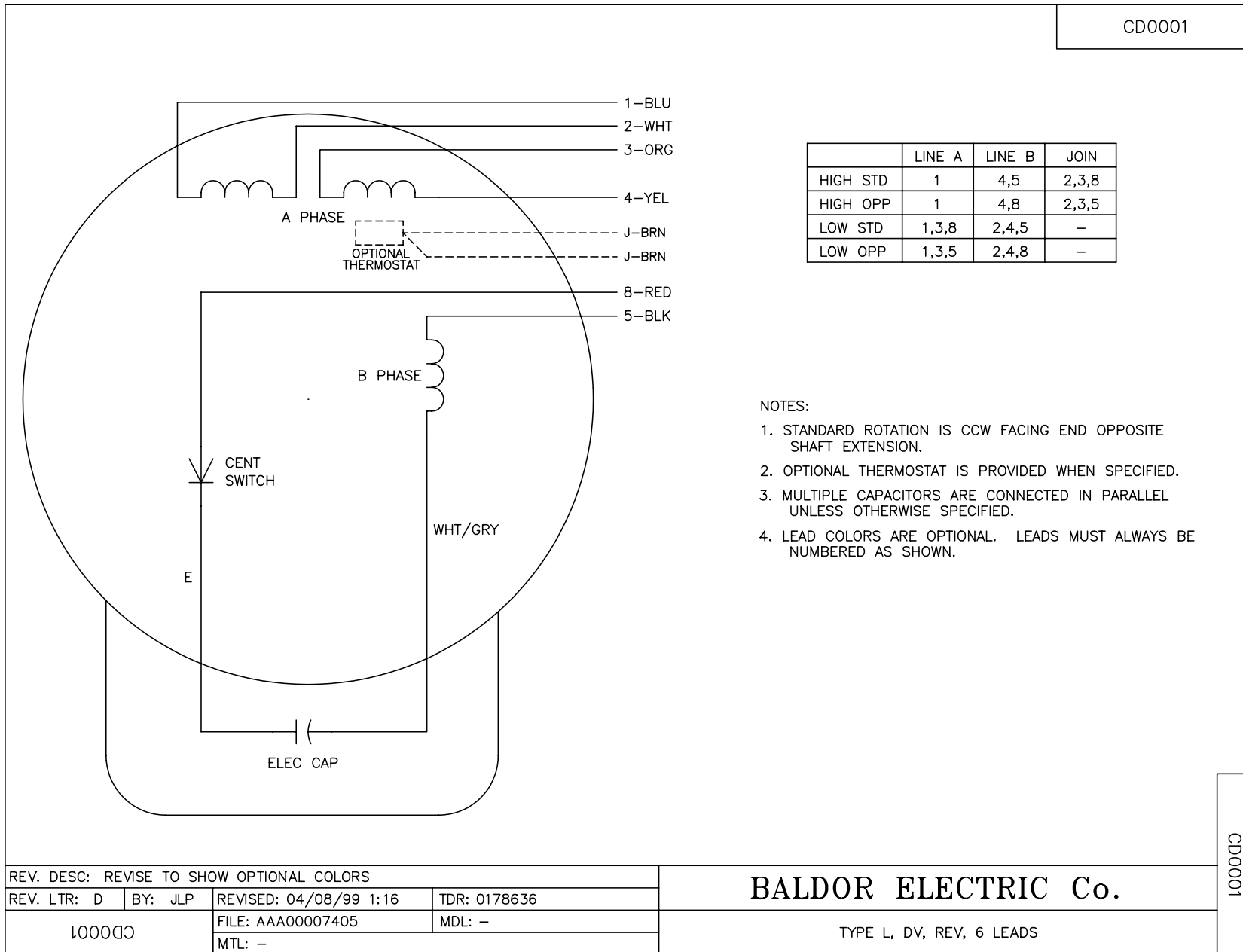
REV. DESC: NEW KBOX & LID			
REV. LTR: E	BY: RT	REVISED: 09:51:23 10/13/2003	TDR: 314971
34LYF011		FILE: AAA00026296	REF: 34LYF011
		MTL: -	

BALDOR ELECTRIC Co.

STD VERT MODEL 34L NEMA 56C OPEN W/DRIPCOVER

34LYF011

CD0001



REV. DESC: REVISE TO SHOW OPTIONAL COLORS			
REV. LTR: D	BY: JLP	REVISED: 04/08/99 1:16	TDR: 0178636
100000		FILE: AAA00007405	MDL: -
		MTL: -	

BALDOR ELECTRIC Co.

TYPE L, DV, REV, 6 LEADS

CD0001