

BALDOR® • RELIANCE

Product Information Packet

ELECTRIC MOTOR WHOLESAL.COM

VL1307A

.75HP,1725RPM,1PH,60HZ,56C,3520L,OPEN,F1

Part Detail							
Revision:	AE	Status:	PRD/A	Change #:		Proprietary:	No
Type:	AC	Prod. Type:	3520L	Elec. Spec:	35WG0519	CD Diagram:	
Enclosure:	OPEN	Mfg Plant:		Mech. Spec:	35E523	Layout:	
Frame:	56C	Mounting:	F1	Poles:	04	Created Date:	
Base:	N	Rotation:	ROS	Insulation:	B	Eff. Date:	11-30-2011
Leads:	6#18,1#14 #1TH	Literature:		Elec. Diagram:		Replaced By:	

Nameplate NP1257L							
CAT.NO.	VL1307A						
SPEC.	35E523-519						
HP	.75						
VOLTS	115/230						
AMP	10.8/5.4						
RPM	1725						
FRAME	56C	HZ			60	PH	1
SER.F.	1.25	CODE			L	DES	N CL B
NEMA-NOM-EFF	63	PF			64		
RATING	40C AMB-CONT						
CC				USABLE AT 208V			
DE	6205	ODE			6203		
ENCL	OPEN	SN					
	SFA 12.4/6.2						

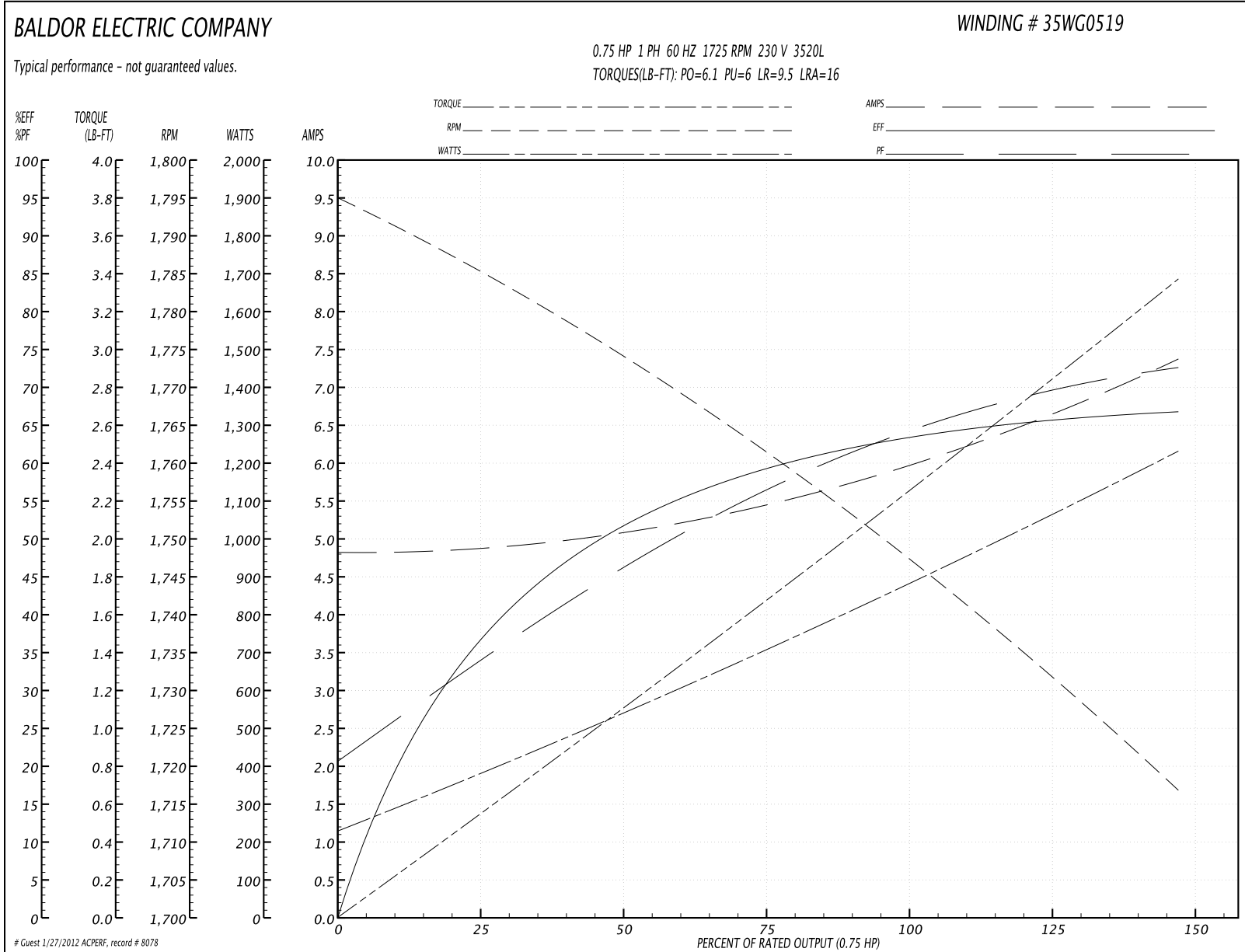
Parts List		
Part Number	Description	Quantity
SA024312	SA 35E523-519	1.000 EA
RA020362	RA 35E523-519	1.000 EA
EC1645A06SP	ELEC CAP, 645-774 MFD, 125V, 2.06D X 4.	1.000 EA
53XT0832G07	8-32X7/16 PN STD SR TY23G X	1.000 EA
35EP3202A09	FR ENDPLATE, MACH	1.000 EA
SP1033A01	INSULATOR MODEL 35 TERM PANEL	1.000 EA
51XW0832A07	8-32 X .44, TAPTITE II, HEX WSHR SLTD SE	3.000 EA
NS2501A01	INSULATOR, CAPACITOR	1.000 EA
51XB1016A05	10-16X5/16HX WA SL SR TYB (F/S)	2.000 EA
HW5100A03SP	WAVY WASHER (W1543-017)	1.000 EA
35EP3400A13	STD FACE MTD END PLATE OPEN NEMA 56C 05	1.000 EA
35AD2000	AIR BAFFLE	1.000 EA
60XW0632A06	6-32 X 3/8 TORX HEAD SCREW TAPTITE II	4.000 EA
51XN1032A20	10-32 X 1 1/4 HX WS SL SR	2.000 EA
35FH4500A02	DRIP COVER, STAMPED (W/ AUTOPHERETIC PRI	1.000 EA
51XW0832A07	8-32 X .44, TAPTITE II, HEX WSHR SLTD SE	2.000 EA
35CB4500SP	TERMINAL BOX LID STAMPED	1.000 EA
51XW0832A07	8-32 X .44, TAPTITE II, HEX WSHR SLTD SE	2.000 EA
HW2501D13SP	KEY, 3/16 SQ X 1.375	1.000 EA
HA7000A04	KEY RETAINER 0.625 DIA SHAFTS	1.000 EA
85XU0407S04	4X1/4 U DRIVE PIN STAINLESS	2.000 EA
WD1000A15	3-520132-2 AMP FLAG (4M/RL NON-CANC/NON-	2.000 EA
MJ1000A75	GREASE, POLYREX EM EXXON	0.050 LB
MG1000G27	PAINT- S9282E CHARCOAL GREY	0.017 GA

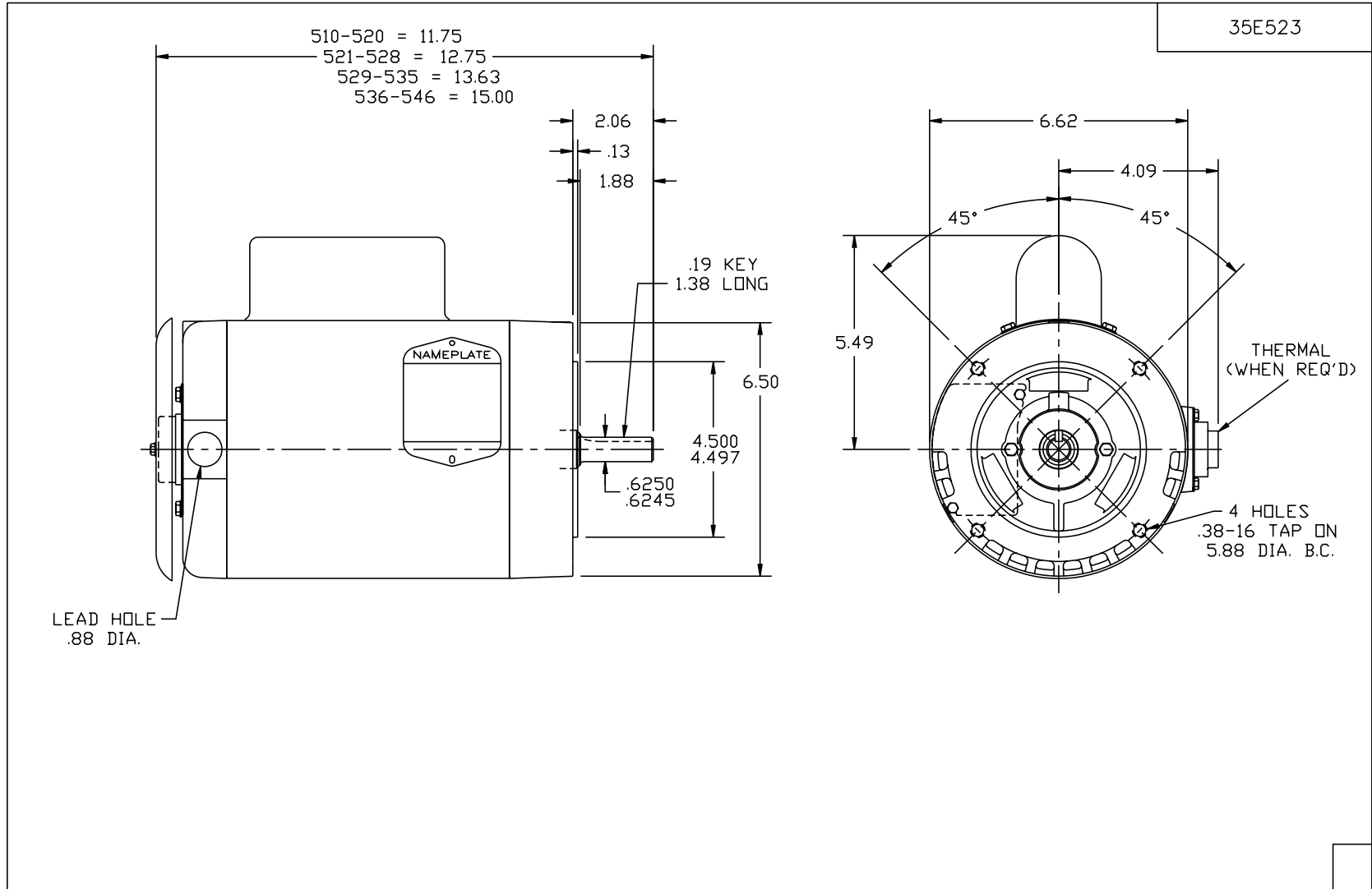
Parts List (continued)		
Part Number	Description	Quantity
HA3100A12	THRUBOLT 10-32 X 7.375	4.000 EA
35CB4802A02SP	CAPACITOR COVER, STAMPED X W/AUTOPHORET	1.000 EA
SP5066A01	MODEL 35 TERMINAL PANEL SWITCH WITH LEAD	1.000 EA
LB1118	LABEL,WARNING (ROLL LABEL)	1.000 EA
LB1125C01	STD (STOCK) CARTON LABEL BALDOR WITH FLA	1.000 EA
LC0052	CONNECTION LABEL	1.000 EA
NP1257L	ALUM, UL CSA CC, W/THERMAL, LASER	1.000 EA
35PA1066	PACKING GROUP COMBINED PRINT	1.000 EA
PK3082	STYROFOAM CRADLE	1.000 EA

Performance Data at 230V, 60Hz, 0.75HP (Typical performance - Not guaranteed values)

General Characteristics							
Full Load Torque:	2.25 LB-FT			Start Configuration:	DOL		
No-Load Current:	4.8 Amps			Break-Down Torque:	6.1 LB-FT		
Line-line Res. @ 25°C.:	3.09 Ohms A Ph / 1.9 Ohms B Ph			Pull-Up Torque:	6.0 LB-FT		
Temp. Rise @ Rated Load:	46 C			Locked-Rotor Torque:	9.5 LB-FT		
Temp. Rise @ S.F. Load:	53 C			Starting Current:	16.0 Amps		
Load Characteristics							
% of Rated Load	25	50	75	100	125	150	S.F.
Power Factor:	33.0	45.0	55.0	64.0	70.0	75.0	70.0
Efficiency:	36.0	52.0	59.0	64.0	66.0	66.4	66.0
Speed:	1784.0	1773.0	1761.0	1749.0	1733.0	1716.0	1733.0
Line Amperes:	4.9	5.1	5.5	5.9	6.6	7.4	6.6

Performance Graph at 230V, 60Hz, 0.75HP Typical performance - Not guaranteed values





CUST. NAME		CUST. P.O.		CERTIFIED BY		MODEL		INSUL		AMB	
H.P.		MTG		TYPE		R.P.M.		VOLTS		ENCL	
PHASE		FREQ		FRAME		BALDOR ELECTRIC Co.					
REMARKS:											
REV:	D	REDRAWN TO AUTOCAD									
35E523		SCALE: .3	BY: SSS	REVISED: 09/06/94	STD VERT FACE MTD 35L OPEN 56C W/TERM PLATE & DRIP COVER						
		FILE: AAA00014056	TDR: 0051036								

35E523

CD0052

