



**BALDOR® • RELIANCE**

**Product Information Packet**

**ELECTRIC MOTOR WHOLESAL.COM**

**VLCP2333T**

**15HP,1760RPM,3PH,60HZ,254LP,0756M,TEFC,F**

Part Detail									
Revision:	A	Status:	PRD/A	Change #:		Proprietary:	No		
Type:	AC	Prod. Type:	0756M	Elec. Spec:	07WGX739	CD Diagram:			
Enclosure:	TEFC	Mfg Plant:		Mech. Spec:	07L641	Layout:			
Frame:	254LP	Mounting:	F1	Poles:	04	Created Date:	10-20-2010		
Base:	N	Rotation:	R	Insulation:	F	Eff. Date:	03-27-2012		
Leads:	9#14	Literature:		Elec. Diagram:		Replaced By:			
Nameplate NP1258E									
CAT.NO.	VLCP2333T								
SPEC.	07L641X739H1								
HP	15								
VOLTS	208-230/460								
AMP	40-37/18.5								
RPM	1760								
FRAME	254LP	HZ	60			PH	3		
SER.F.	1.15	CODE	J			DES	A	CL	F
NEMA-NOM-EFF	91	PF	83						
RATING	40C AMB-CONT								
CC	010A	USABLE AT 208V							
DE	QJ211	ODE	6307						
ENCL	TEFC	SN							

Nameplate NP0090E	
FRONT	6307
PULLEY	QJ211
LUBRICATE WITH	
GREASE	POLYREX EM

Parts List		
Part Number	Description	Quantity
SA204847	SA 07L641X739H1	1.000 EA
RA192094	RA 07L641X739H1	1.000 EA
37FN3002B01	EXFN, PLASTIC, 7.50 OD, 1.155 ID	1.000 EA
S/P101-000-000	EPACT PROCEDURES-FS PLANT-POLYREX EM, NO	1.000 EA
HA6481A01	LIFTING EYE BRACKET FOR 306 & 307 P-BASE	2.000 EA
10XN3816A16	3/8-16 X 1 HEX HD CAP SCREW	4.000 EA
HW1001A38	LOCKWASHER 3/8, ZINC PLT .688 OD, .382 I	4.000 EA
09CB1002A08G	CB 309 W/1.50 NPT LEAD HOLE (GRAY EPOXY)	1.000 EA
RM1017	LEAD SEPERATOR GASKET MODEL 307 1/8" THK	1.000 EA
51XW2520A12	.25-20 X .75, TAPTITE II, HEX WSHR SLTD	2.000 EA
10XN2520G06	1/4 20X3/8 HX HD CAP, GREEN	1.000 EA
WD1000B16	KPA-4C BURNDY TERMINAL	1.000 EA
37EP1101A48G	FR EP, MACH, 307 BRG FOR CI FAN COVER W/	1.000 EA
HW4500A01	1641B(ALEMITE)400 UNIV, GREASE FITT	1.000 EA
HA4051A00	PLASTIC CAP FOR GREASE FITTING	1.000 EA
HW4500A79	.25-28 X 1" EXTENSION (PS3014A-EXT PRECI	1.000 EA
HW4500A17	317400 ALEMITE GREASE RELIEF	1.000 EA
HW4600A55	SEAL 1.625 X 2.125 X 0.250 SINGLE LIP	1.000 EA
10XN2520S28	1/4-20X 1 3/4 HEX HD SS X	4.000 EA
HW5100A08	W3118-035 WVY WSHR (WB)	1.000 EA
37EP1504A02G	SPL PU E.P. MACH, W/GRAY EPOXY QJ211 BRG	1.000 EA
HW4500A01	1641B(ALEMITE)400 UNIV, GREASE FITT	1.000 EA
HA4051A00	PLASTIC CAP FOR GREASE FITTING	1.000 EA
HW4500A17	317400 ALEMITE GREASE RELIEF	1.000 EA

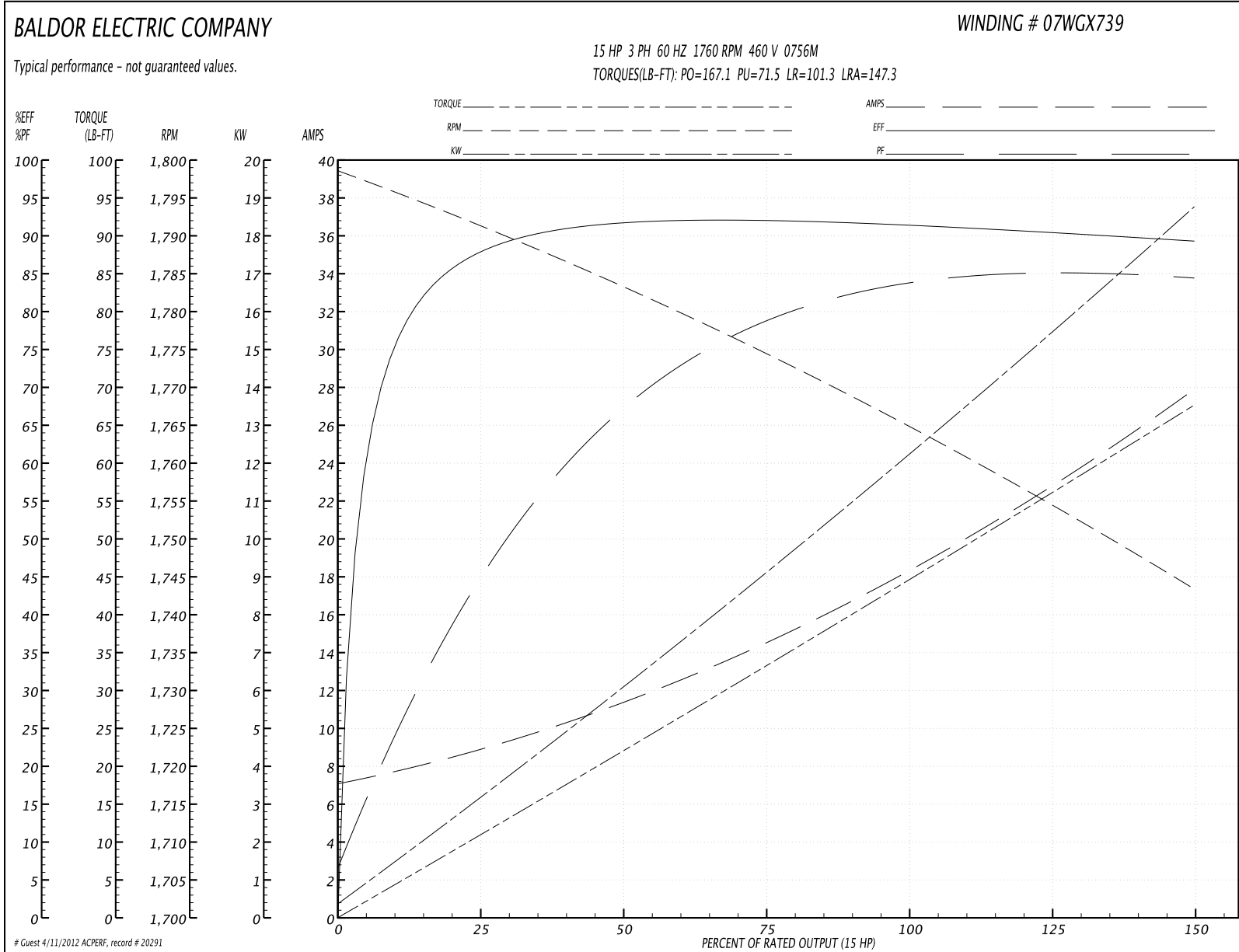
Parts List (continued)		
Part Number	Description	Quantity
10XN2520S52	1/4-20X 3 1/4 HEX HD SS X	2.000 EA
HW1001S25	WASHER, 1/4 SPLT LK, STAINLESS STEEL	2.000 EA
HA3104S25	THRUBOLT-5/16-18X14.75 SS	4.000 EA
51XB1214A20	12-14X1.25 HXWSSLD SERTYB	1.000 EA
07FH1001A02G	FAN HOUSING, 307 W/MTG BOSSES, GRS HOLE	1.000 EA
10XN2520A28	1/4-20X 1 3/4 HEX HD	3.000 EA
HW1001A25	LOCKWASHER 1/4, ZINC PLT .493 OD, .255 I	3.000 EA
39FH4500A04G	SP'L DRIP COVER FOR 307 MOTOR MACH GRAY	1.000 EA
HA2001A09	SPACER, .218 ID X .937 LG	1.000 EA
12XN1032A20	10-32X1 1/4 HXWS SLTD	4.000 EA
12CB1503A03G	CONDUIT BOX LID, MACH (GRAY), WITH LIP	1.000 EA
12GS1002	GASKET, CONDUIT BOX LID, NEOP	1.000 EA
10XN2520A16	1/4-20 X 1 HEX HEAD CAP SCR, ZINC PLATED	2.000 EA
HW1001A25	LOCKWASHER 1/4, ZINC PLT .493 OD, .255 I	2.000 EA
HW4600B33	V-RING SLINGER 1.375 X 1.890 X 0.350	1.000 EA
HW4600B40	V-RING SLINGER 2.000 X 2.680 X 0.280	1.000 EA
MJ5001A14	DYNAPRO SEAL, CP MOTORS VC#2508050 (603	0.001 EA
MJ5001A01	46-665 RED SEALER	0.001 QT
MJ5001A02	732 CL SEALANT 3 OZ DIXIE BEARING 289100	0.010 EA
85XU0407S04	4X1/4 U DRIVE PIN STAINLESS	4.000 EA
LB1115	LABEL,LIFTING DEVICE	1.000 EA
LB1002	LABEL,MARINE DUTY (ON ROLLS)	1.000 EA
MJ1000A75	GREASE, POLYREX EM EXXON	0.050 LB
MG1025Z20	ACTIVATOR WILKOFAS 060.32	0.010 GA

Parts List (continued)		
Part Number	Description	Quantity
MG1025G29	PAINT 789.205 DARK GRAY METALLIC (USE W/	0.036 GA
LB1125C04	STD-E (STOCK CTN LABEL STD-E WITH FLAG)	1.000 EA
LC0005E01	CONN.DIA./WARNING LABEL (LC0005/LB1119)	1.000 EA
NP1258E	SS CP UL CSA CC	1.000 EA
NP0090E	SS NO LOGO'S BEARING & GREASE DATA	1.000 EA
07PA1011	PKG GRP, 07 CAST IRON PK1181	1.000 EA
PK3082	STYROFOAM CRADLE	1.000 EA

**Performance Data at 460V, 60Hz, 15.0HP (Typical performance - Not guaranteed values)**

General Characteristics							
Full Load Torque:	44.6 LB-FT			Start Configuration:	DOL		
No-Load Current:	7.39 Amps			Break-Down Torque:	167.1 LB-FT		
Line-line Res. @ 25°C.:	0.618 Ohms A Ph / 0.0 Ohms B Ph			Pull-Up Torque:	71.5 LB-FT		
Temp. Rise @ Rated Load:	65 C			Locked-Rotor Torque:	101.3 LB-FT		
Temp. Rise @ S.F. Load:	83 C			Starting Current:	147.3 Amps		
Load Characteristics							
% of Rated Load	25	50	75	100	125	150	S.F.
Power Factor:	47.0	68.0	78.0	83.0	84.0	85.0	84.0
Efficiency:	87.6	91.6	92.1	91.6	90.6	89.3	91.0
Speed:	1791.0	1783.0	1775.0	1765.0	1755.0	1743.0	1759.0
Line Amperes:	8.47	11.1	14.5	18.6	22.9	27.7	21.2

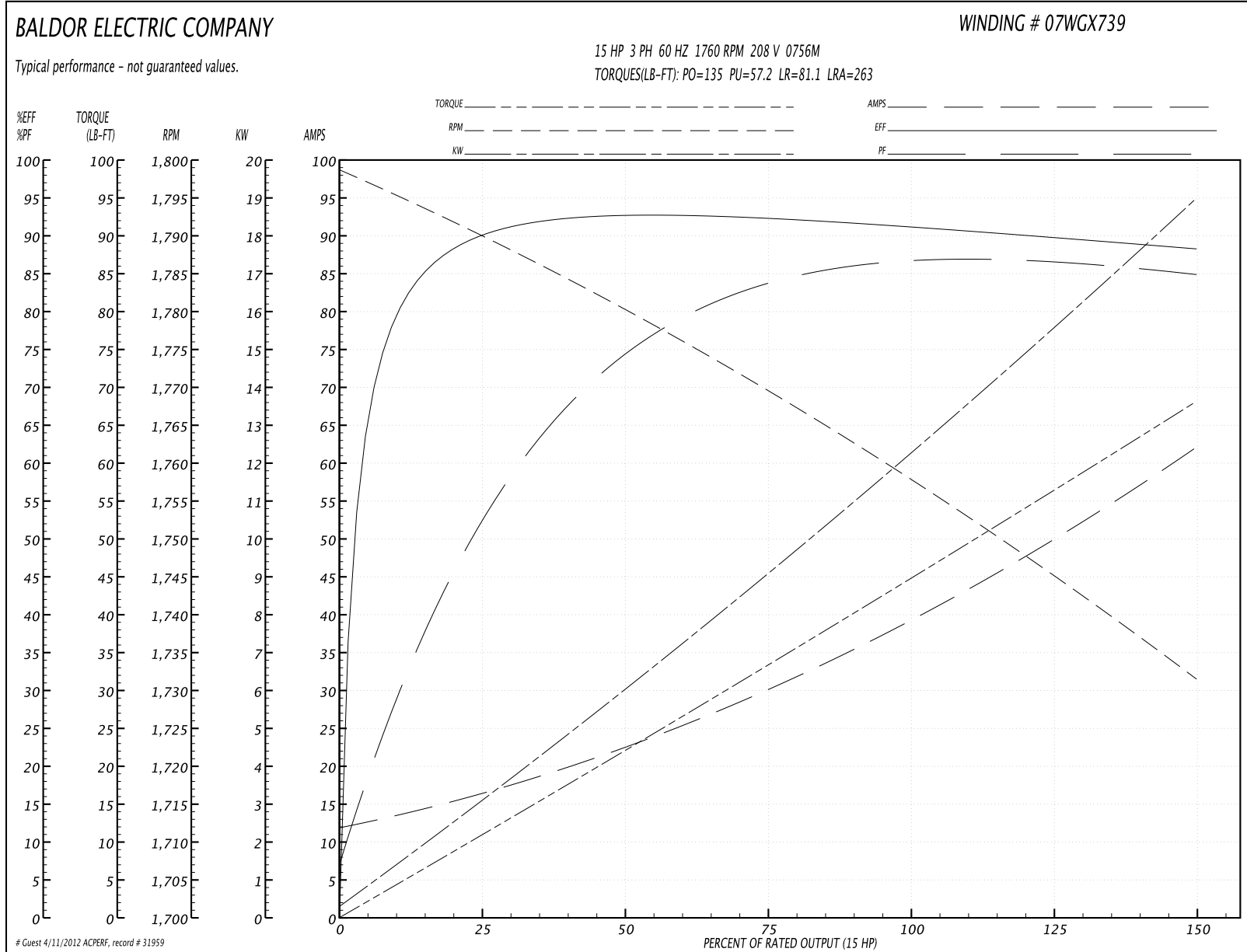
Performance Graph at 460V, 60Hz, 15.0HP Typical performance - Not guaranteed values

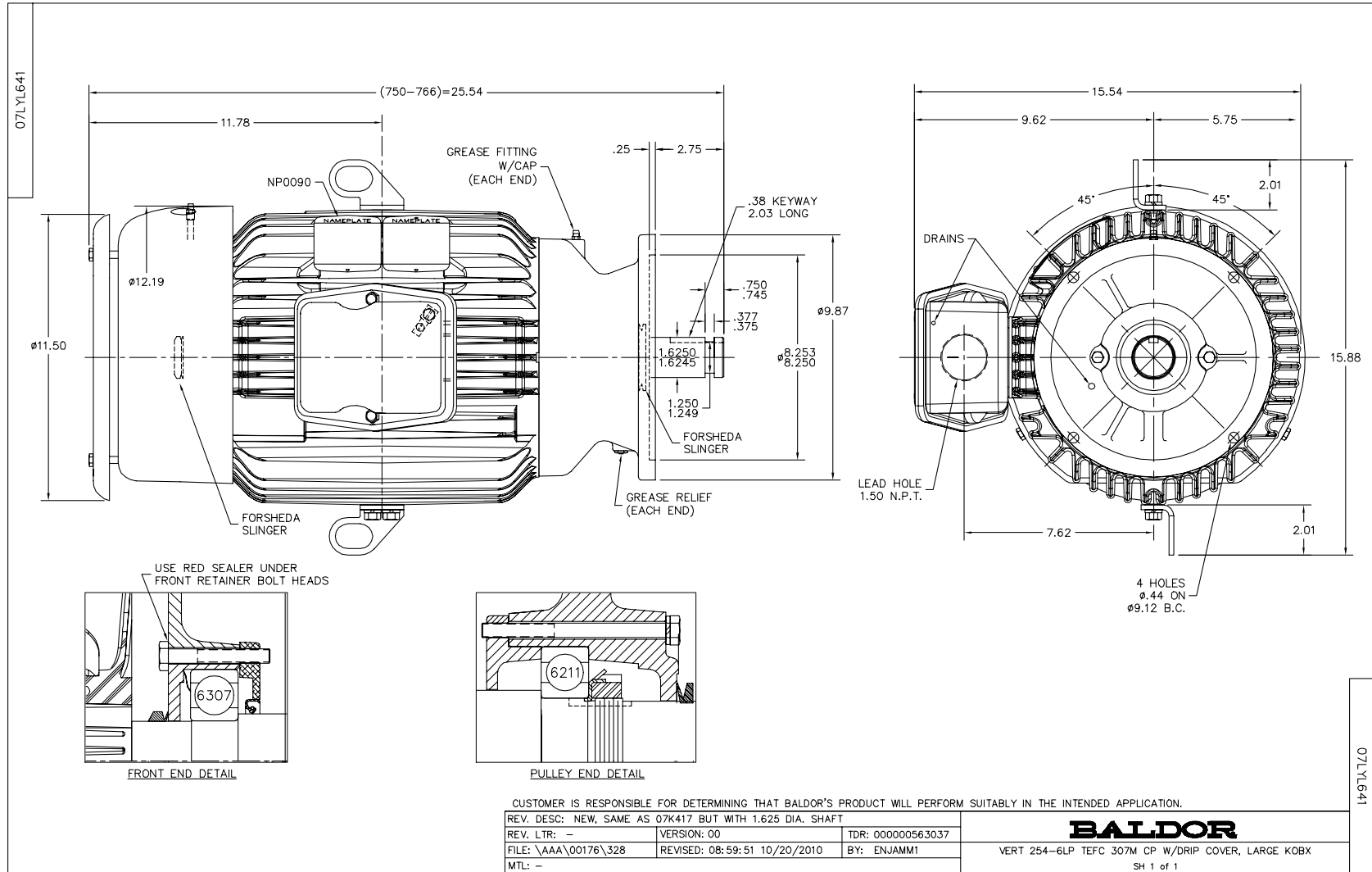


**Performance Data at 208V, 60Hz, 15.0HP (Typical performance - Not guaranteed values)**

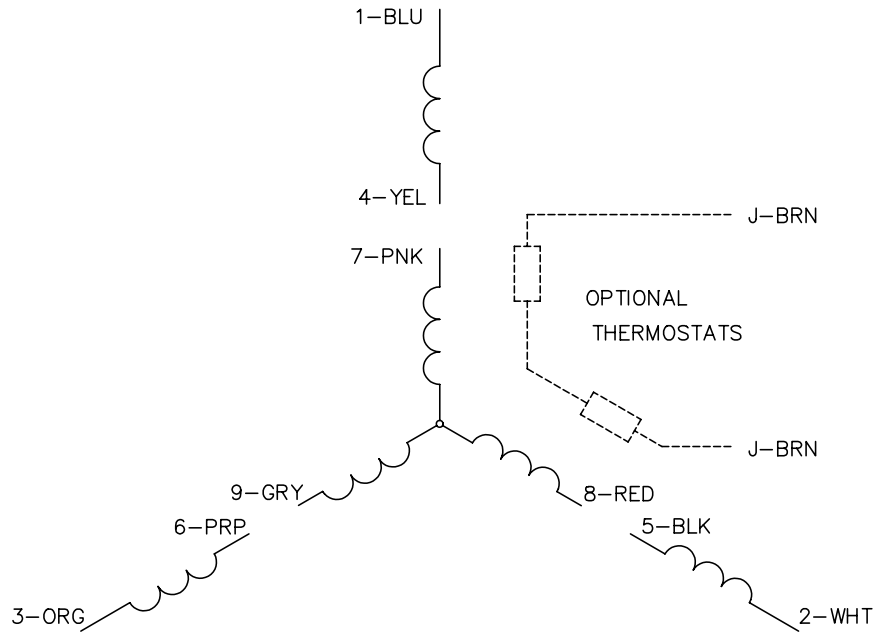
General Characteristics							
Full Load Torque:	44.7 LB-FT			Start Configuration:	DOL		
No-Load Current:	12.6 Amps			Break-Down Torque:	135.0 LB-FT		
Line-line Res. @ 25°C.:	0.162 Ohms A Ph / 0.0 Ohms B Ph			Pull-Up Torque:	57.2 LB-FT		
Temp. Rise @ Rated Load:	67 C			Locked-Rotor Torque:	81.1 LB-FT		
Temp. Rise @ S.F. Load:	83 C			Starting Current:	263.0 Amps		
Load Characteristics							
% of Rated Load	25	50	75	100	125	150	S.F.
Power Factor:	55.0	76.0	83.0	85.0	86.0	86.0	86.0
Efficiency:	89.2	92.4	92.4	91.2	90.0	88.1	90.5
Speed:	1790.0	1780.0	1770.0	1758.0	1746.0	1731.0	1751.0
Line Amperes:	15.4	21.9	30.1	39.8	50.1	61.7	46.0

Performance Graph at 208V, 60Hz, 15.0HP Typical performance - Not guaranteed values

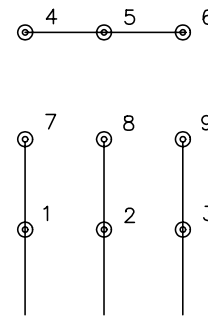




CD0005

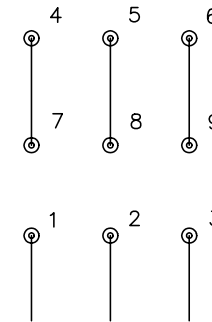


LOW VOLTAGE  
(2Y)



LINE

HIGH VOLTAGE  
(1Y)



LINE

NOTES:

1. INTERCHANGE ANY TWO LINE LEADS TO REVERSE ROTATION.
2. OPTIONAL THERMOSTATS ARE PROVIDED WHEN SPECIFIED.
3. ACTUAL NUMBER OF INTERNAL PARALLEL CIRCUITS MAY BE A MULTIPLE OF THOSE SHOWN ABOVE.
4. LEAD COLORS ARE OPTIONAL. LEADS MUST ALWAYS BE NUMBERED AS SHOWN.

REV. DESC: REVISE TO SHOW OPTIONAL COLORS			
REV. LTR: E	BY: JLP	REVISED: 01/19/99 10:15	TDR: 0171435
900000		FILE: AAA00005140	MDL: -
		MTL: -	

**BALDOR ELECTRIC Co.**

3PH, DV, 9 LEADS

CD0005