

BALDOR® • RELIANCE

Product Information Packet

ELECTRIC MOTOR WHOLESAL.COM

VM3312T

10HP,3450RPM,3PH,60HZ,213TC,3725M,OPSB

Part Detail							
Revision:	Q	Status:	PRD/A	Change #:		Proprietary:	No
Type:	AC	Prod. Type:	3725M	Elec. Spec:	37WGY511	CD Diagram:	
Enclosure:	OPSB	Mfg Plant:		Mech. Spec:	37B103	Layout:	
Frame:	213TC	Mounting:	F1	Poles:	02	Created Date:	
Base:	N	Rotation:	R	Insulation:	B	Eff. Date:	09-20-2011
Leads:	9#14	Literature:		Elec. Diagram:		Replaced By:	

Nameplate NP1256L

CAT.NO.	VM3312T						
SPEC.	37B103Y511H1						
HP	10						
VOLTS	208-230/460						
AMP	25.6-23.2/11.6						
RPM	3450						
FRAME	213TC	HZ	60	PH	3		
SER.F.	1.15	CODE	F	DES	B	CLASS	B
NEMA-NOM-EFF	88.5	PF	91				
RATING	40C AMB-CONT						
CC	010A	USABLE AT 208V	25.6				
DE	6307	ODE	6206				
ENCL	OPSB	SN					

Parts List		
Part Number	Description	Quantity
SA056773	SA 37B103Y511H1	1.000 EA
RA051312	RA 37B103Y511H1	1.000 EA
S/P101-000-000	EPACT PROCEDURES-FS PLANT-POLYREX EM, NO	1.000 EA
HA6361A01	LIFTING LUG FOR 37, 39 & 40 FRAME (AUTOP	2.000 EA
37CB3006	37 CB CASTING W/1.38 LEAD HOLE @ 6:00	1.000 EA
51XW2520A10	.25-20 X .62, TAPTITE II, HEX WSHR SLTD	2.000 EA
11XW1032G06	10-32 X .38, TAPTITE II, HEX WSHR SLTD U	1.000 EA
37EP3200A40	FR L&M OPEN W/GRS & DRIP COVER	1.000 EA
HW4500A01	1641B(ALEMITE)400 UNIV, GREASE FITT	1.000 EA
HW5100A06	W2420-025 WVY WSHR (WB)	1.000 EA
37EP3400A01	FACE MT EP-OPEN-307 BRG-213-215TC W/GREA	1.000 EA
HW4500A01	1641B(ALEMITE)400 UNIV, GREASE FITT	1.000 EA
10XN2520A30	HEX HD CAP SCREW-STD THD-.25 X 20 THD PE	4.000 EA
HW1001A25	LOCKWASHER 1/4, ZINC PLT .493 OD, .255 I	4.000 EA
XY3118A12	5/16-18 HEX NUT DIRECTIONAL SERRATION	4.000 EA
37FH4000A47	DRIP COVER, W/ AUTOPHERETIC PRIMER	1.000 EA
51XW1032A06	10-32 X .38, TAPTITE II, HEX WSHR SLTD S	3.000 EA
37CB4516	LIPPED LID FOR 37 FRAME NEC KOBX	1.000 EA
51XW0832A07	8-32 X .44, TAPTITE II, HEX WSHR SLTD SE	4.000 EA
HW2501F21	KEY, 5/16 SQ X 2.375	1.000 EA
HA7000A02	KEY RETAINER RING, 1 1/8 DIA, 1 3/8 DIA	1.000 EA
85XU0407S04	4X1/4 U DRIVE PIN STAINLESS	2.000 EA
LB1115	LABEL,LIFTING DEVICE	1.000 EA
MJ1000A75	GREASE, POLYREX EM EXXON	0.050 LB

Parts List (continued)		
Part Number	Description	Quantity
MG1000G27	PAINT- S9282E CHARCOAL GREY	0.028 GA
37AD2001B01	BAFFLE PLATE, STAMPED DELTA	2.000 EA
HA3104A27	THRUBOLT 5/16 18 X 12.438 X	4.000 EA
LB1125C04	STD-E (STOCK CTN LABEL STD-E WITH FLAG)	1.000 EA
LC0005E01	CONN.DIA./WARNING LABEL (LC0005/LB1119)	1.000 EA
NP1256L	ALUM, UL CSA CC, W/O THERMAL, LASER	1.000 EA
G0PA1000	PACKAGING GROUP	1.000 EA
PK3082	STYROFOAM CRADLE	1.000 EA

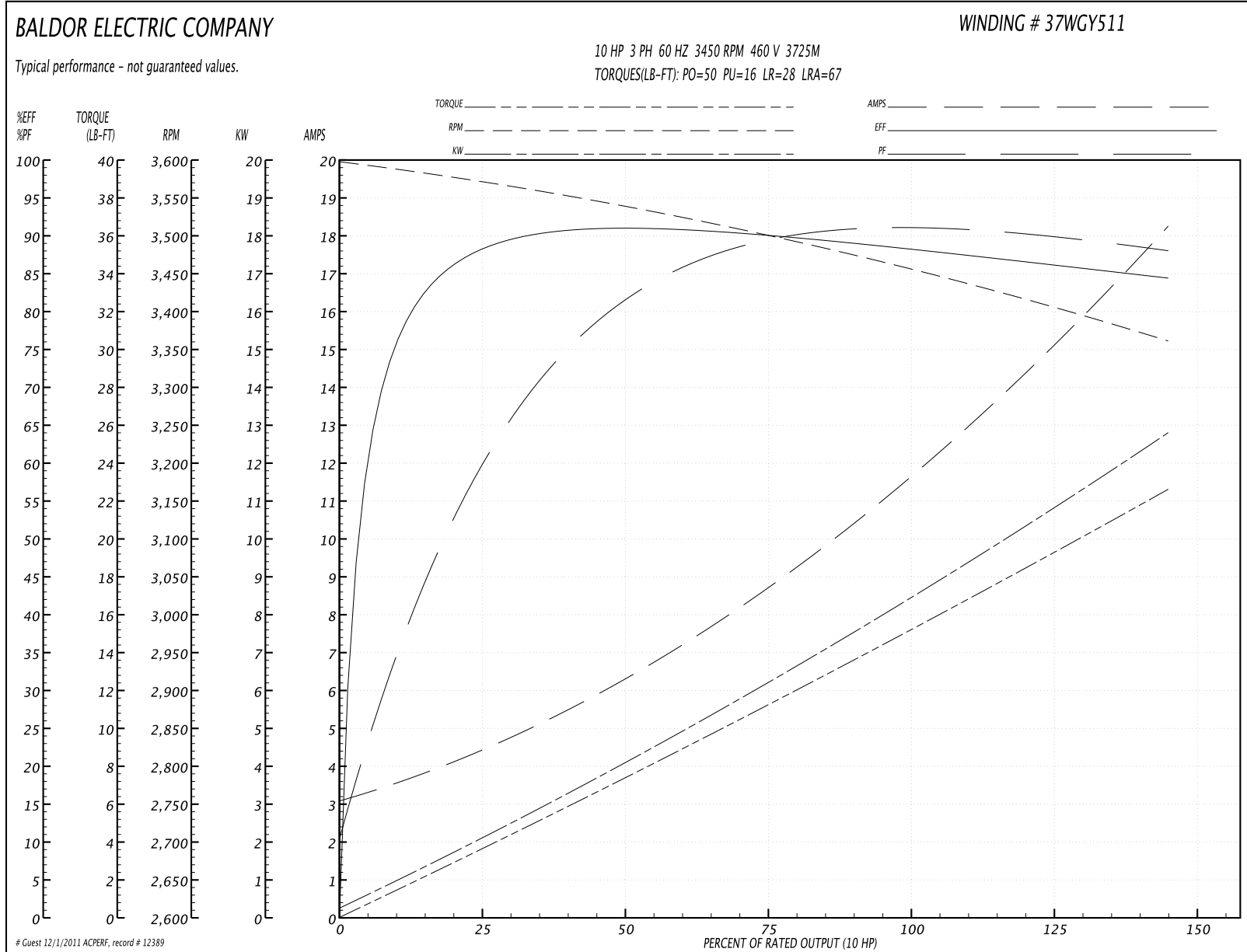
Performance Data at 460V, 60Hz, 10.0HP (Typical performance - Not guaranteed values)
General Characteristics

Full Load Torque:	15.1 LB-FT	Start Configuration:	DOL
No-Load Current:	3.2 Amps	Break-Down Torque:	50.0 LB-FT
Line-line Res. @ 25°C.:	1.35 Ohms A Ph / 0.0 Ohms B Ph	Pull-Up Torque:	16.0 LB-FT
Temp. Rise @ Rated Load:	34 C	Locked-Rotor Torque:	28.0 LB-FT
Temp. Rise @ S.F. Load:	44 C	Starting Current:	67.0 Amps

Load Characteristics

% of Rated Load	25	50	75	100	125	150	S.F.
Power Factor:	65.0	83.0	90.0	92.0	92.0	92.0	0.0
Efficiency:	87.4	90.4	90.0	88.6	86.6	84.2	0.0
Speed:	3569.0	3537.0	3500.0	3458.0	3412.0	3360.0	0.0
Line Amperes:	4.3	6.3	8.9	11.6	14.8	18.2	13.5

Performance Graph at 460V, 60Hz, 10.0HP Typical performance - Not guaranteed values



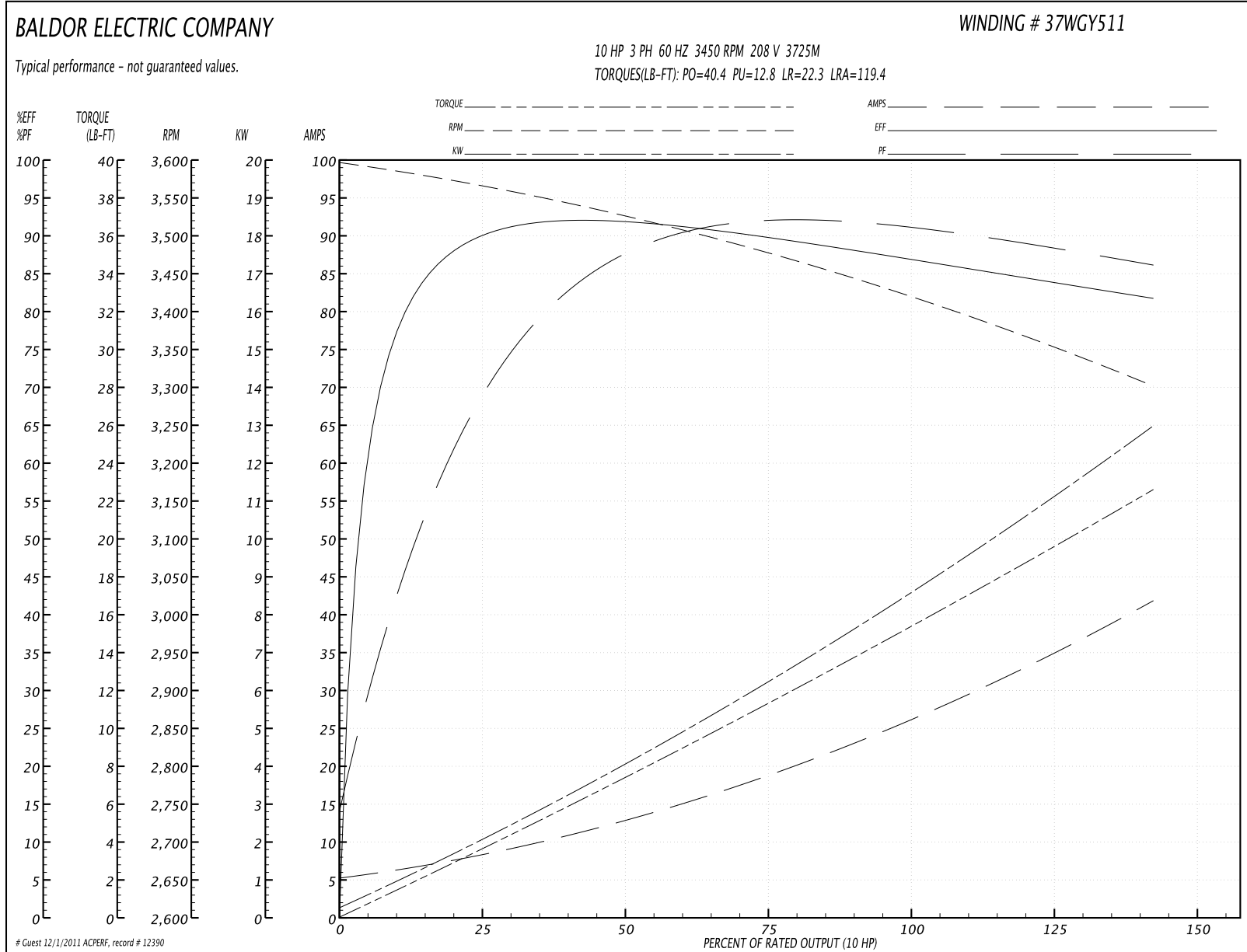
Performance Data at 208V, 60Hz, 10.0HP (Typical performance - Not guaranteed values)
General Characteristics

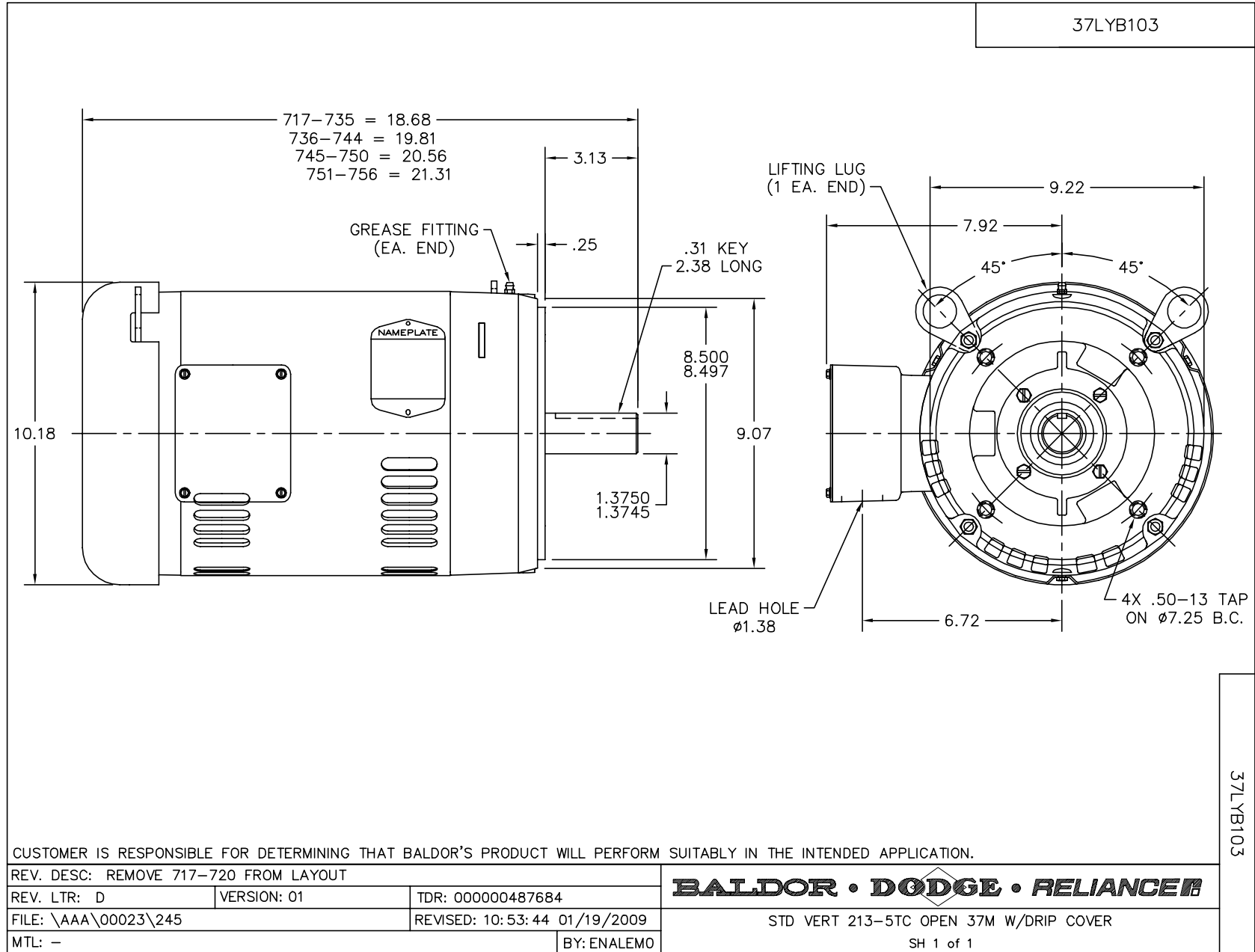
Full Load Torque:	15.1 LB-FT	Start Configuration:	DOL
No-Load Current:	5.3 Amps	Break-Down Torque:	40.4 LB-FT
Line-line Res. @ 25°C.:	0.337 Ohms A Ph / 0.0 Ohms B Ph	Pull-Up Torque:	12.8 LB-FT
Temp. Rise @ Rated Load:		Locked-Rotor Torque:	22.3 LB-FT
Temp. Rise @ S.F. Load:		Starting Current:	119.4 Amps

Load Characteristics

% of Rated Load	25	50	75	100	125	150	S.F.
Power Factor:	74.0	88.0	92.0	93.0	93.0	93.0	93.0
Efficiency:	88.9	90.8	89.7	87.5	84.8	81.4	85.9
Speed:	3562.0	3524.0	3477.0	3427.0	3365.0	3300.0	3390.0
Line Amperes:	8.2	13.0	19.3	25.6	32.8	42.2	29.92

Performance Graph at 208V, 60Hz, 10.0HP Typical performance - Not guaranteed values

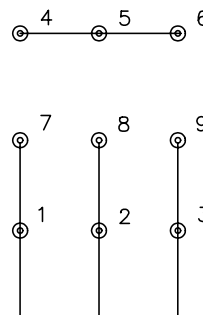




CD0005



LOW VOLTAGE
(2Y)



LINE

HIGH VOLTAGE
(1Y)



LINE

NOTES:

1. INTERCHANGE ANY TWO LINE LEADS TO REVERSE ROTATION.
2. OPTIONAL THERMOSTATS ARE PROVIDED WHEN SPECIFIED.
3. ACTUAL NUMBER OF INTERNAL PARALLEL CIRCUITS MAY BE A MULTIPLE OF THOSE SHOWN ABOVE.
4. LEAD COLORS ARE OPTIONAL. LEADS MUST ALWAYS BE NUMBERED AS SHOWN.

REV. DESC: REVISE TO SHOW OPTIONAL COLORS			
REV. LTR: E	BY: JLP	REVISED: 01/19/99 10:15	TDR: 0171435
9000D		FILE: AAA00005140	MDL: -
		MTL: -	

BALDOR ELECTRIC Co.

3PH, DV, 9 LEADS

CD0005