

BALDOR® • RELIANCE

Product Information Packet

ELECTRIC MOTOR WHOLESAL.COM

VM3556T

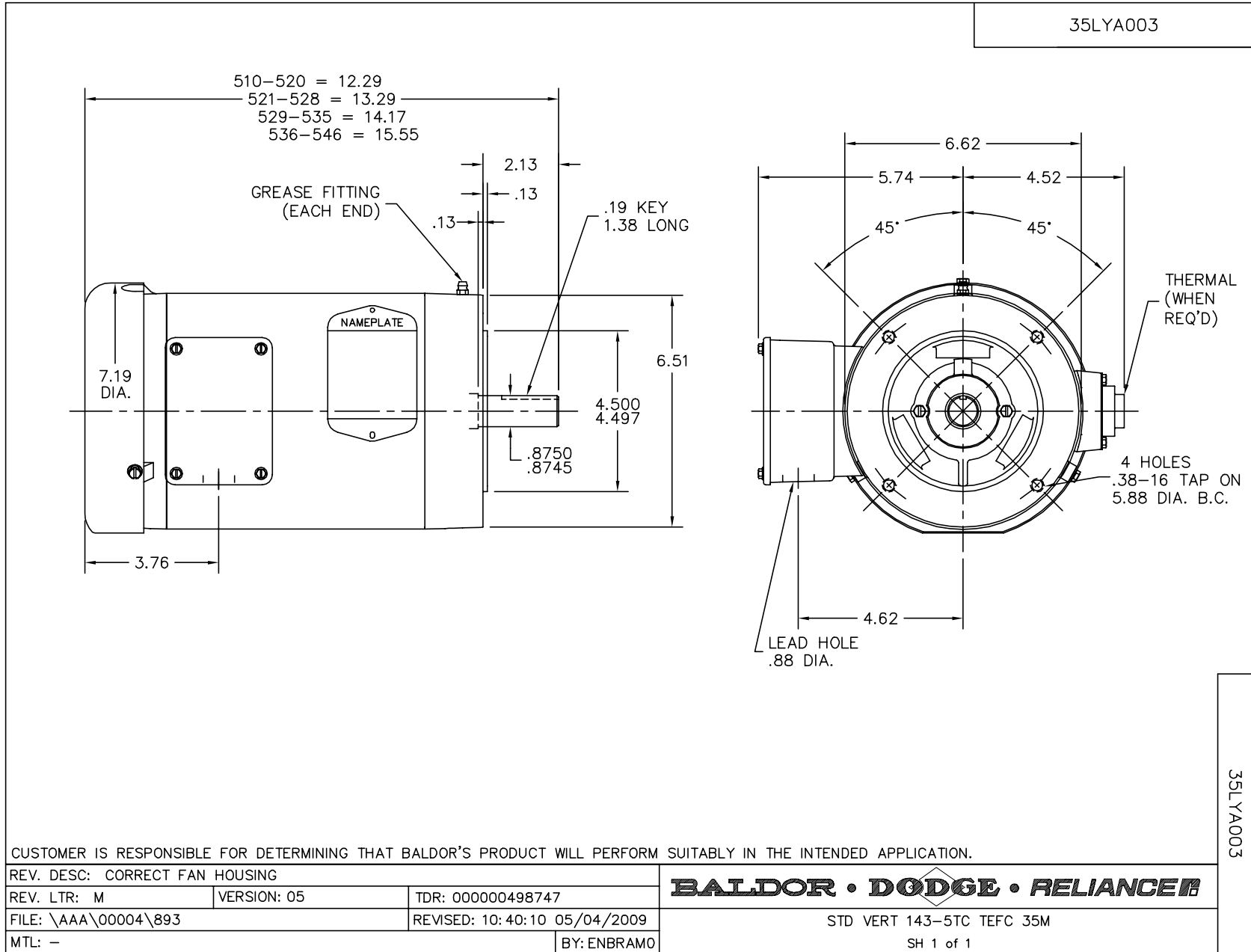
1HP,1155RPM,3PH,60HZ,145TC,3522M,TEFC,F1

| Part Detail | | | | | | | |
|-------------|-------|-------------|-------|----------------|----------|---------------|------------|
| Revision: | C | Status: | PRD/A | Change #: | | Proprietary: | No |
| Type: | AC | Prod. Type: | 3522M | Elec. Spec: | 35WGP255 | CD Diagram: | |
| Enclosure: | TEFC | Mfg Plant: | | Mech. Spec: | 35A003 | Layout: | |
| Frame: | 145TC | Mounting: | F1 | Poles: | 06 | Created Date: | 06-08-2010 |
| Base: | N | Rotation: | R | Insulation: | F | Eff. Date: | 07-19-2011 |
| Leads: | 9#18 | Literature: | | Elec. Diagram: | | Replaced By: | |

| Nameplate NP1256L | | | | | | | | | |
|-------------------|---------------|------|--|----------------|------|-----|---|-------|---|
| CAT.NO. | VM3556T | | | | | | | | |
| SPEC. | 35A003P255H1 | | | | | | | | |
| HP | 1 | | | | | | | | |
| VOLTS | 208-230/460 | | | | | | | | |
| AMP | 3.9-3.64/1.82 | | | | | | | | |
| RPM | 1155 | | | | | | | | |
| FRAME | 145TC | HZ | | | 60 | PH | 3 | | |
| SER.F. | 1.15 | CODE | | | K | DES | B | CLASS | F |
| NEMA-NOM-EFF | 80 | PF | | | 63 | | | | |
| RATING | 40C AMB-CONT | | | | | | | | |
| CC | | | | USABLE AT 208V | | | | | |
| DE | 6205 | ODE | | | 6203 | | | | |
| ENCL | TEFC | SN | | | | | | | |
| | | | | | | | | | |

| Parts List | | |
|----------------|--|----------|
| Part Number | Description | Quantity |
| SA198125 | SA 35A003P255H1 | 1.000 EA |
| RA185492 | RA 35A003P255H1 | 1.000 EA |
| 35FN3002A05SP | EXFN, PLASTIC, 6.376 OD, .638 ID | 1.000 EA |
| S/P101-000-000 | EPACT PROCEDURES-FS PLANT-POLYREX EM, NO | 1.000 EA |
| NS2512A01 | INSULATOR, CONDUIT BOX X | 1.000 EA |
| 35CB3007 | 35 CB CASTING W/.88 DIA. LEAD HOLE | 1.000 EA |
| 36GS1000SP | GASKET-CONDUIT BOX, .06 THICK #SV-330 LE | 1.000 EA |
| 51XB1016A07 | 10-16 X 7/16 HXWSSLD SERTYB | 2.000 EA |
| 11XW1032G06 | 10-32 X .38, TAPTITE II, HEX WSHR SLTD U | 1.000 EA |
| 35EP3100M01 | FREP TEFC 203 BRG W/GRSR (RAISED FH PADS | 1.000 EA |
| HW4500A01 | 1641B(ALEMITE)400 UNIV, GREASE FITT | 1.000 EA |
| HW5100A03SP | WAVY WASHER (W1543-017) | 1.000 EA |
| 35EP3300A46 | SPL FACE MTD EP-ENCL-145TC-205 BRG | 1.000 EA |
| HW4500A01 | 1641B(ALEMITE)400 UNIV, GREASE FITT | 1.000 EA |
| 51XN1032A20 | 10-32 X 1 1/4 HX WS SL SR | 2.000 EA |
| 35FH4005A84SP | IEC FH W/GRSR, NO DIMPLES W/AUTOPHERETIC | 1.000 EA |
| 51XW1032A06 | 10-32 X .38, TAPTITE II, HEX WSHR SLTD S | 3.000 EA |
| 35CB4521GX | CONDUIT BOX LID KIT | 1.000 EA |
| 51XW0832A07 | 8-32 X .44, TAPTITE II, HEX WSHR SLTD SE | 4.000 EA |
| HW2501D13SP | KEY, 3/16 SQ X 1.375 | 1.000 EA |
| HA7000A01 | KEY RETAINER 7/8" DIA SHAFT | 1.000 EA |
| 85XU0407S04 | 4X1/4 U DRIVE PIN STAINLESS | 2.000 EA |
| MJ1000A75 | GREASE, POLYREX EM EXXON | 0.050 LB |
| 51XB1214A16 | 12-14X1.00 HXWSSLD SERTYB | 1.000 EA |

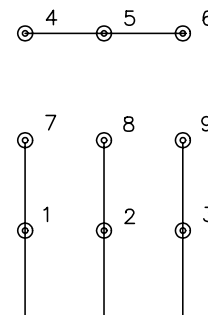
| Parts List (continued) | | |
|------------------------|---|----------|
| Part Number | Description | Quantity |
| MG1000G27 | PAINT- S9282E CHARCOAL GREY | 0.017 GA |
| HA3100A15 | THRUBOLT 10-32 X 8.375 | 4.000 EA |
| LB1125C04 | STD-E (STOCK CTN LABEL STD-E WITH FLAG) | 1.000 EA |
| LC0005E01 | CONN.DIA./WARNING LABEL (LC0005/LB1119) | 1.000 EA |
| NP1256L | ALUM, UL CSA CC, W/O THERMAL, LASER | 1.000 EA |
| 35PA1066 | PACKING GROUP COMBINED PRINT | 1.000 EA |
| PK3082 | STYROFOAM CRADLE | 1.000 EA |



CD0005

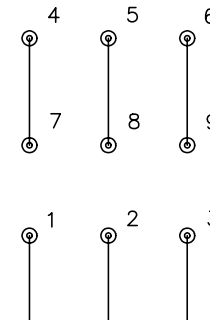


LOW VOLTAGE
(2Y)



LINE

HIGH VOLTAGE
(1Y)



LINE

NOTES:

1. INTERCHANGE ANY TWO LINE LEADS TO REVERSE ROTATION.
2. OPTIONAL THERMOSTATS ARE PROVIDED WHEN SPECIFIED.
3. ACTUAL NUMBER OF INTERNAL PARALLEL CIRCUITS MAY BE A MULTIPLE OF THOSE SHOWN ABOVE.
4. LEAD COLORS ARE OPTIONAL. LEADS MUST ALWAYS BE NUMBERED AS SHOWN.

| | | | |
|---|---------|-------------------------|--------------|
| REV. DESC: REVISE TO SHOW OPTIONAL COLORS | | | |
| REV. LTR: E | BY: JLP | REVISED: 01/19/99 10:15 | TDR: 0171435 |
| 9000D | | FILE: AAA00005140 | MDL: - |
| | | MTL: - | |

BALDOR ELECTRIC Co.

3PH, DV, 9 LEADS

CD0005