

# **BALDOR® • RELIANCE**

**Product Information Packet**

**ELECTRIC MOTOR WHOLESAL.COM**

**VM3557**

**1.5HP,1140RPM,3PH,60HZ,56C,3529M,TEFC,F1**

Part Detail							
Revision:	D	Status:	PRD/A	Change #:		Proprietary:	No
Type:	AC	Prod. Type:	3529M	Elec. Spec:	35WGM899	CD Diagram:	
Enclosure:	TEFC	Mfg Plant:		Mech. Spec:	35A013	Layout:	
Frame:	56C	Mounting:	F1	Poles:	06	Created Date:	01-12-2011
Base:	N	Rotation:	R	Insulation:	F	Eff. Date:	11-17-2011
Leads:	9#18	Literature:		Elec. Diagram:		Replaced By:	

Nameplate NP1256L									
CAT.NO.	VM3557								
SPEC.	35A013M899G1								
HP	1.5								
VOLTS	208-230/460								
AMP	5-4.9/2.45								
RPM	1140								
FRAME	56C	HZ	60	PH	3				
SER.F.	1.15	CODE	K	DES	B	CLASS	F		
NEMA-NOM-EFF	80	PF	72						
RATING	40C AMB-CONT								
CC			USABLE AT 208V						
DE	6205	ODE	6203						
ENCL	TEFC	SN							

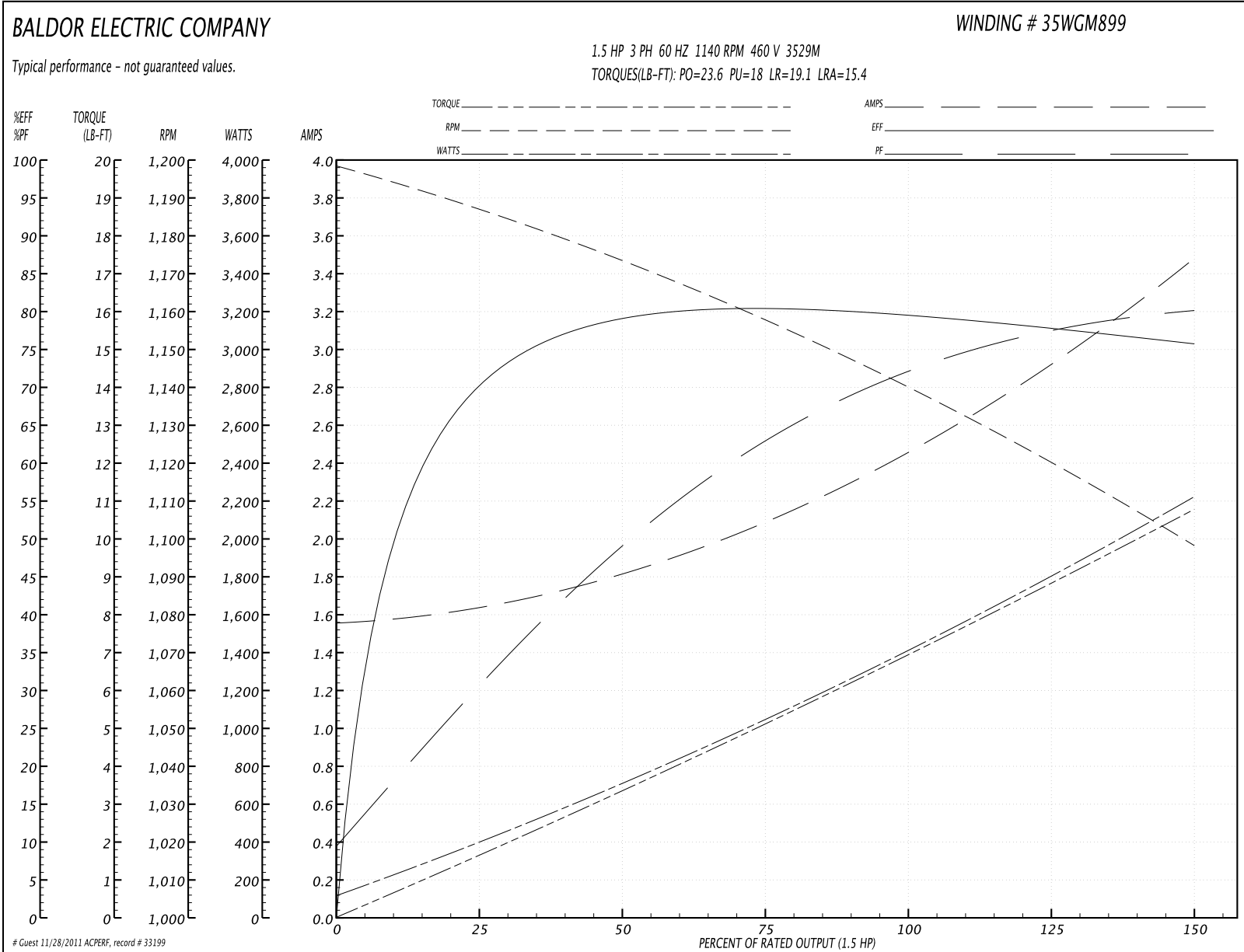
Parts List		
Part Number	Description	Quantity
SA215120	SA 35A013M899G1	1.000 EA
RA202320	RA 35A013M899G1	1.000 EA
35FN3002A05SP	EXFN, PLASTIC, 6.376 OD, .638 ID	1.000 EA
NS2512A01	INSULATOR, CONDUIT BOX X	1.000 EA
35CB3007	35 CB CASTING W/.88 DIA. LEAD HOLE	1.000 EA
36GS1000SP	GASKET-CONDUIT BOX, .06 THICK #SV-330 LE	1.000 EA
51XB1016A07	10-16 X 7/16 HXWSSLD SERTYB	2.000 EA
11XW1032G06	10-32 X .38, TAPTITE II, HEX WSHR SLTD U	1.000 EA
35EP3100M02	FREP TEFC 203 BRG W/O GR SR (RAISED FH MT	1.000 EA
HW5100A03SP	WAVY WASHER (W1543-017)	1.000 EA
35EP3300A33	SPL FACE MTD EP -ENCL-205 BRG	1.000 EA
51XN1032A20	10-32 X 1 1/4 HX WS SL SR	2.000 EA
51XB1214A16	12-14X1.00 HXWSSLD SERTYB	1.000 EA
35FH4005A32SP	IEC FH NO GR SR W/3 HOLES - W/AUTOPHERETI	1.000 EA
51XW1032A06	10-32 X .38, TAPTITE II, HEX WSHR SLTD S	3.000 EA
35CB4521GX	CONDUIT BOX LID KIT	1.000 EA
51XW0832A07	8-32 X .44, TAPTITE II, HEX WSHR SLTD SE	4.000 EA
HW2501D13SP	KEY, 3/16 SQ X 1.375	1.000 EA
HA7000A04	KEY RETAINER 0.625 DIA SHAFTS	1.000 EA
85XU0407S04	4X1/4 U DRIVE PIN STAINLESS	2.000 EA
MJ1000A75	GREASE, POLYREX EM EXXON	0.050 LB
MG1000G27	PAINT- S9282E CHARCOAL GREY	0.017 GA
HA3100A18	THRUBOLT 10-32 X 9.250	4.000 EA
LB1125C01	STD (STOCK) CARTON LABEL BALDOR WITH FLA	1.000 EA

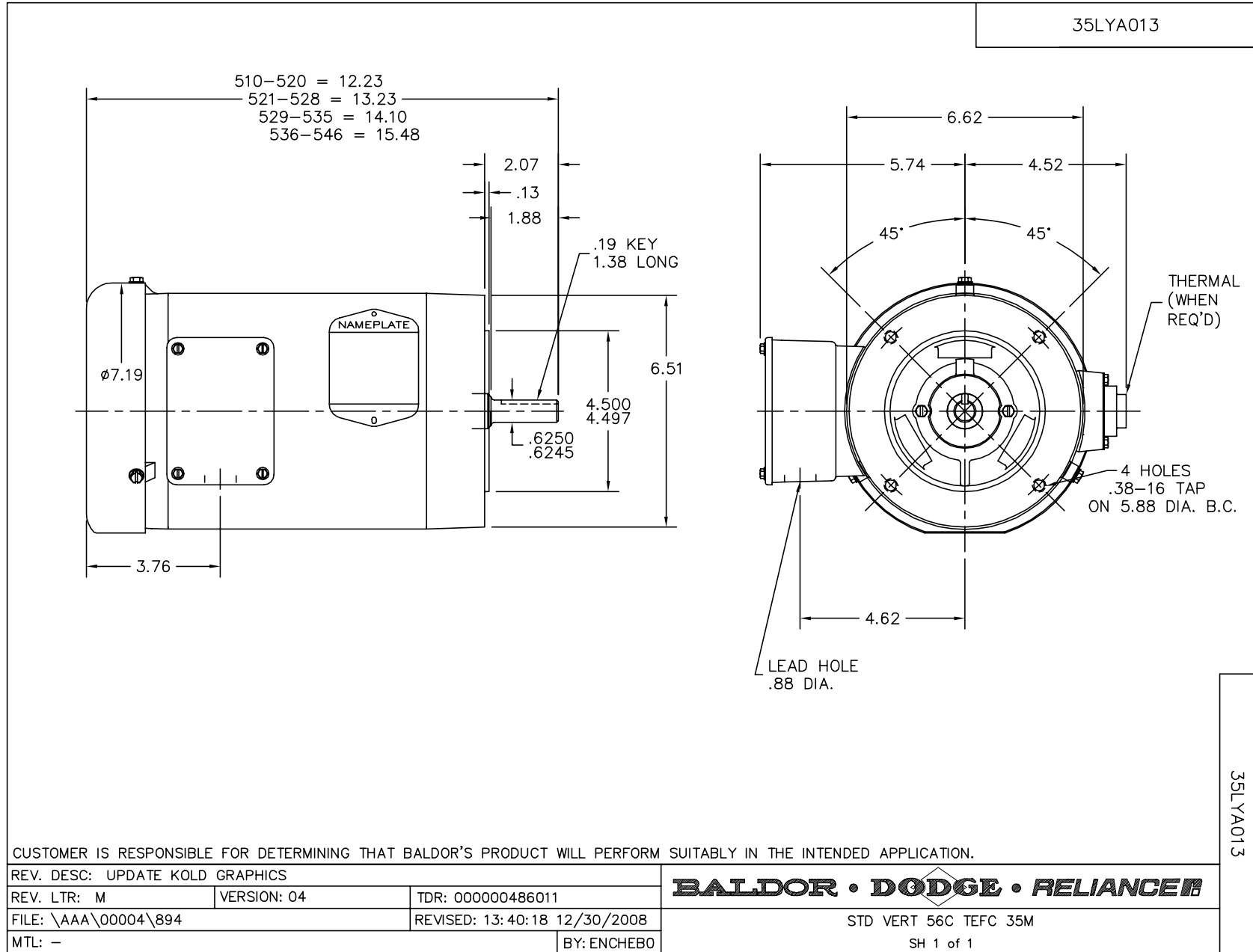
Parts List (continued)		
Part Number	Description	Quantity
LC0005E01	CONN.DIA./WARNING LABEL (LC0005/LB1119)	1.000 EA
NP1256L	ALUM, UL CSA CC, W/O THERMAL, LASER	1.000 EA
36PA1000	PACK GROUP W/LB5001	1.000 EA
PK3082	STYROFOAM CRADLE	1.000 EA

**Performance Data at 460V, 60Hz, 1.5HP (Typical performance - Not guaranteed values)**

General Characteristics							
Full Load Torque:	6.91 LB-FT			Start Configuration:	DOL		
No-Load Current:	1.56 Amps			Break-Down Torque:	23.6 LB-FT		
Line-line Res. @ 25°C.:	11.121 Ohms A Ph / 0.0 Ohms B Ph			Pull-Up Torque:	18.0 LB-FT		
Temp. Rise @ Rated Load:	84 C			Locked-Rotor Torque:	19.1 LB-FT		
Temp. Rise @ S.F. Load:	104 C			Starting Current:	15.4 Amps		
Load Characteristics							
% of Rated Load	25	50	75	100	125	150	S.F.
Power Factor:	31.0	49.0	63.0	72.0	77.0	80.0	75.0
Efficiency:	70.6	79.3	81.3	80.6	78.6	75.7	79.4
Speed:	1186.7	1173.0	1158.4	1140.3	1121.1	1097.7	1129.0
Line Amperes:	1.63	1.81	2.09	2.45	2.92	3.48	2.73

Performance Graph at 460V, 60Hz, 1.5HP Typical performance - Not guaranteed values





CD0005

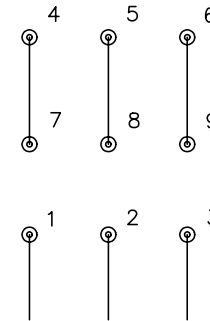


LOW VOLTAGE  
(2Y)



LINE

HIGH VOLTAGE  
(1Y)



LINE

NOTES:

1. INTERCHANGE ANY TWO LINE LEADS TO REVERSE ROTATION.
2. OPTIONAL THERMOSTATS ARE PROVIDED WHEN SPECIFIED.
3. ACTUAL NUMBER OF INTERNAL PARALLEL CIRCUITS MAY BE A MULTIPLE OF THOSE SHOWN ABOVE.
4. LEAD COLORS ARE OPTIONAL. LEADS MUST ALWAYS BE NUMBERED AS SHOWN.

REV. DESC: REVISE TO SHOW OPTIONAL COLORS

REV. LTR: E BY: JLP

REVISED: 01/19/99 10:15

TDR: 0171435

900000

FILE: AAA00005140

MDL: -

MTL: -

**BALDOR ELECTRIC Co.**

3PH, DV, 9 LEADS

CD0005