

# **BALDOR® • RELIANCE**

**Product Information Packet**

**ELECTRIC MOTOR WHOLESAL.COM**

**VM3603**

**1HP,1750RPM,3PH,60HZ,182C,3516M,TEFC,F1**

Part Detail							
Revision:	C	Status:	PRD/A	Change #:		Proprietary:	No
Type:	AC	Prod. Type:	3516M	Elec. Spec:	35WGP674	CD Diagram:	
Enclosure:	TEFC	Mfg Plant:		Mech. Spec:	35H324	Layout:	
Frame:	182C	Mounting:	F1	Poles:	04	Created Date:	04-29-2010
Base:	N	Rotation:	R	Insulation:	F	Eff. Date:	09-30-2011
Leads:	9#18	Literature:		Elec. Diagram:		Replaced By:	

Nameplate NP1256L									
CAT.NO.	VM3603								
SPEC.	35H324P674H1								
HP	1								
VOLTS	208-230/460								
AMP	3.38-3.12/1.56								
RPM	1750								
FRAME	182C	HZ			60	PH	3		
SER.F.	1.15	CODE			M	DES	B	CLASS	F
NEMA-NOM-EFF	82.5	PF			73				
RATING	40C AMB-CONT								
CC	010A	USABLE AT 208V							
DE	6205	ODE			6203				
ENCL	TEFC	SN							

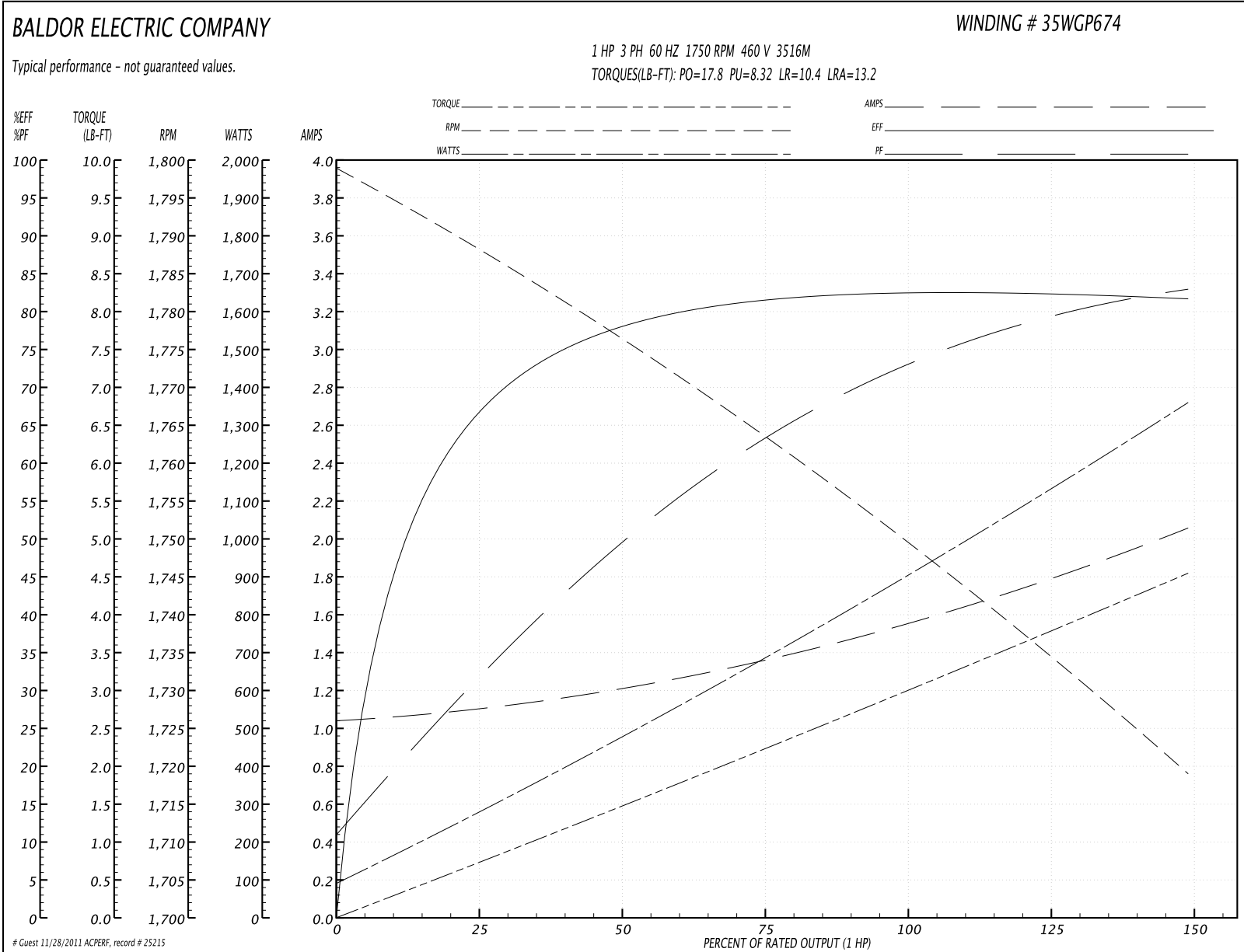
Parts List		
Part Number	Description	Quantity
SA194246	SA 35H324P674H1	1.000 EA
RA181834	RA 35H324P674H1	1.000 EA
34FN3002B01	EXTERNAL FAN, PLASTIC, .637/.639 HUB W/	1.000 EA
S/P101-000-000	EPACT PROCEDURES-FS PLANT-POLYREX EM, NO	1.000 EA
NS2512A01	INSULATOR, CONDUIT BOX X	1.000 EA
35CB3007	35 CB CASTING W/.88 DIA. LEAD HOLE	1.000 EA
36GS1000SP	GASKET-CONDUIT BOX, .06 THICK #SV-330 LE	1.000 EA
51XB1016A07	10-16 X 7/16 HXWSSLD SERTYB	2.000 EA
11XW1032G06	10-32 X .38, TAPTITE II, HEX WSHR SLTD U	1.000 EA
35EP3100M01	FREP TEFC 203 BRG W/GRSR (RAISED FH PADS	1.000 EA
HW4500A01	1641B(ALEMITE)400 UNIV, GREASE FITT	1.000 EA
HW5100A03SP	WAVY WASHER (W1543-017)	1.000 EA
35EP3300A01	PU ENDPLATE, MACH	1.000 EA
HW4500A01	1641B(ALEMITE)400 UNIV, GREASE FITT	1.000 EA
51XN1032A20	10-32 X 1 1/4 HX WS SL SR	2.000 EA
51XB1214A16	12-14X1.00 HXWSSLD SERTYB	1.000 EA
35FH4005A84SP	IEC FH W/GRSR, NO DIMPLES W/AUTOPHERETIC	1.000 EA
51XW1032A06	10-32 X .38, TAPTITE II, HEX WSHR SLTD S	3.000 EA
35CB4521GX	CONDUIT BOX LID KIT	1.000 EA
51XW0832A07	8-32 X .44, TAPTITE II, HEX WSHR SLTD SE	4.000 EA
HW2501D13SP	KEY, 3/16 SQ X 1.375	1.000 EA
HA7000A01	KEY RETAINER 7/8" DIA SHAFT	1.000 EA
85XU0407S04	4X1/4 U DRIVE PIN STAINLESS	2.000 EA
MJ1000A75	GREASE, POLYREX EM EXXON	0.050 LB

Parts List (continued)		
Part Number	Description	Quantity
MG1000G27	PAINT- S9282E CHARCOAL GREY	0.017 GA
HA3100A12	THRUBOLT 10-32 X 7.375	4.000 EA
LB1125C04	STD-E (STOCK CTN LABEL STD-E WITH FLAG)	1.000 EA
LC0005E01	CONN.DIA./WARNING LABEL (LC0005/LB1119)	1.000 EA
NP1256L	ALUM, UL CSA CC, W/O THERMAL, LASER	1.000 EA
35PA1066	PACKING GROUP COMBINED PRINT	1.000 EA
PK3082	STYROFOAM CRADLE	1.000 EA

**Performance Data at 460V, 60Hz, 1.0HP (Typical performance - Not guaranteed values)**

General Characteristics							
Full Load Torque:	2.99 LB-FT			Start Configuration:	DOL		
No-Load Current:	1.04 Amps			Break-Down Torque:	17.8 LB-FT		
Line-line Res. @ 25°C.:	16.3 Ohms A Ph / 0.0 Ohms B Ph			Pull-Up Torque:	8.32 LB-FT		
Temp. Rise @ Rated Load:	41 C			Locked-Rotor Torque:	10.4 LB-FT		
Temp. Rise @ S.F. Load:	50 C			Starting Current:	13.2 Amps		
Load Characteristics							
% of Rated Load	25	50	75	100	125	150	S.F.
Power Factor:	32.0	50.0	63.0	73.0	79.0	83.0	77.0
Efficiency:	66.7	77.9	81.3	82.6	82.6	81.6	82.6
Speed:	1788.0	1776.0	1764.0	1750.0	1735.0	1719.0	1741.0
Line Amperes:	1.11	1.2	1.36	1.56	1.77	2.06	1.69

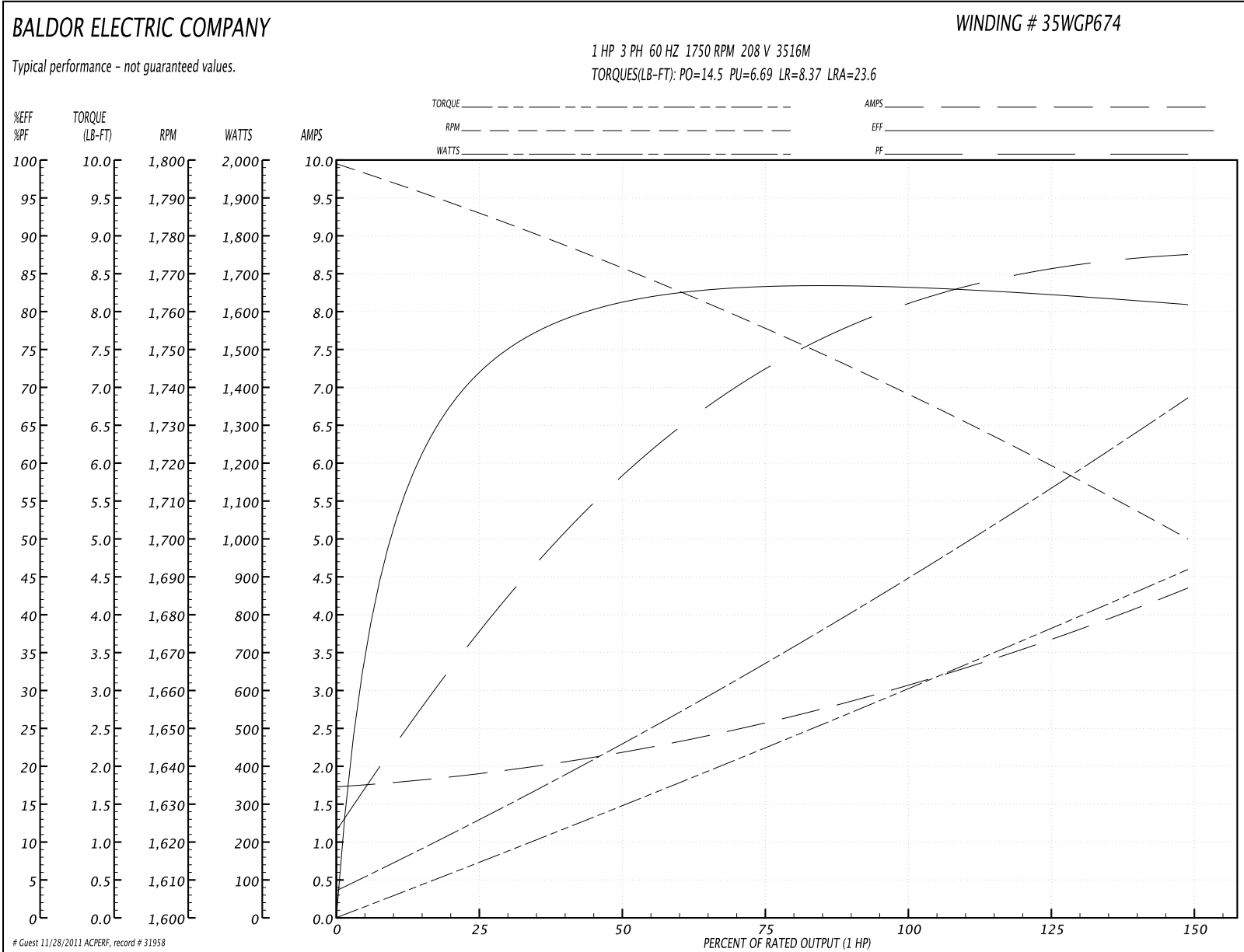
Performance Graph at 460V, 60Hz, 1.0HP Typical performance - Not guaranteed values



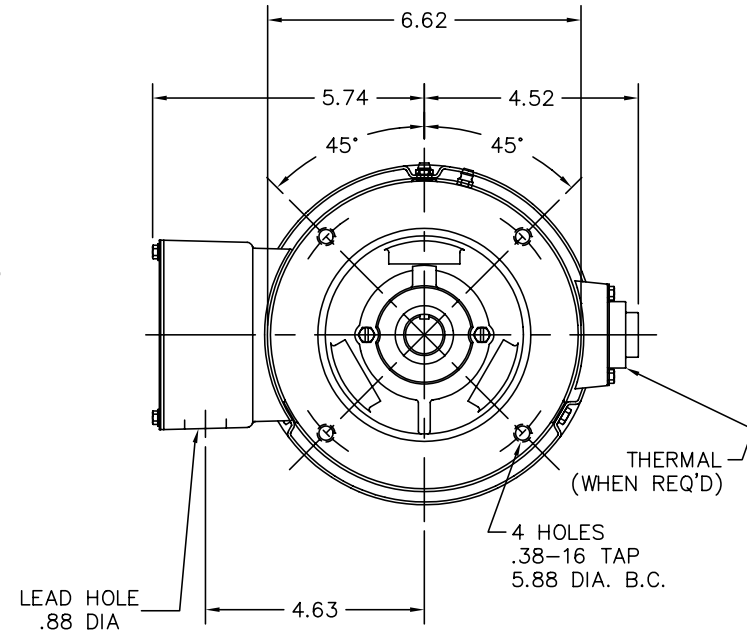
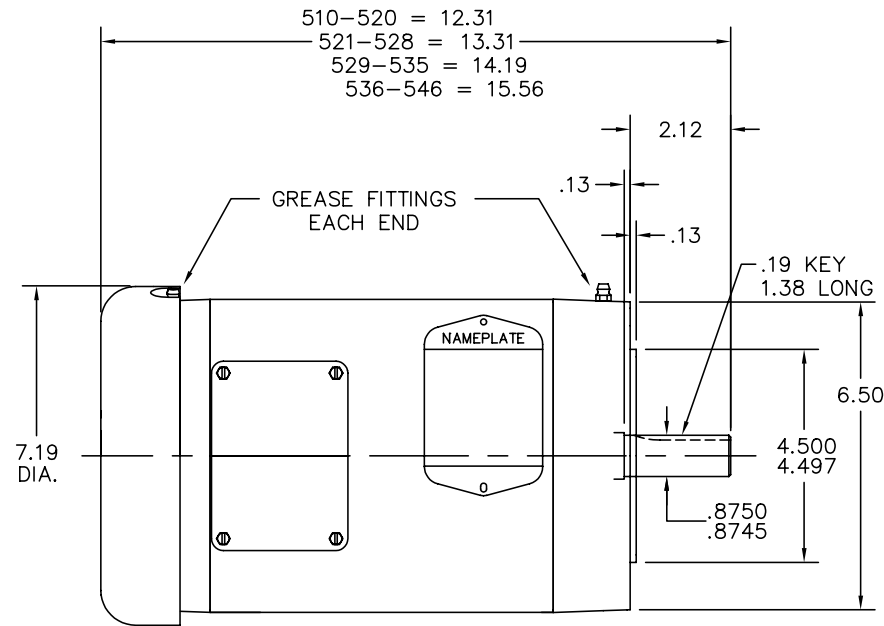
**Performance Data at 208V, 60Hz, 1.0HP (Typical performance - Not guaranteed values)**

General Characteristics							
Full Load Torque:	3.01 LB-FT			Start Configuration:	DOL		
No-Load Current:	1.74 Amps			Break-Down Torque:	14.5 LB-FT		
Line-line Res. @ 25°C.:	4.09 Ohms A Ph / 0.0 Ohms B Ph			Pull-Up Torque:	6.69 LB-FT		
Temp. Rise @ Rated Load:	39 C			Locked-Rotor Torque:	8.37 LB-FT		
Temp. Rise @ S.F. Load:	46 C			Starting Current:	23.6 Amps		
Load Characteristics							
% of Rated Load	25	50	75	100	125	150	S.F.
Power Factor:	39.0	59.0	72.0	80.0	86.0	88.0	84.0
Efficiency:	71.5	81.0	83.3	83.4	82.5	80.8	82.9
Speed:	1786.0	1771.0	1756.0	1739.0	1720.0	1700.0	1728.0
Line Amperes:	1.9	2.16	2.57	3.09	3.63	4.35	3.41

Performance Graph at 208V, 60Hz, 1.0HP Typical performance - Not guaranteed values



35LYH324



CUST. NAME		CUST. P.O.		CERTIFIED BY		MODEL		INSUL		AMB	
H.P.		MTG		TYPE		R.P.M.		VOLTS		ENCL	
REV. LTR: C		BY: JED		REVISED: 04/06/99 8:40		TDR: 0171801					
FILE: AAA00013553		MDL: -									
MTL: -											

**BALDOR ELECTRIC Co.**

STD VERT 35M 182-4C TEFC FACE MTD

35LYH324

CD0005



LOW VOLTAGE  
(2Y)



LINE

HIGH VOLTAGE  
(1Y)



LINE

NOTES:

1. INTERCHANGE ANY TWO LINE LEADS TO REVERSE ROTATION.
2. OPTIONAL THERMOSTATS ARE PROVIDED WHEN SPECIFIED.
3. ACTUAL NUMBER OF INTERNAL PARALLEL CIRCUITS MAY BE A MULTIPLE OF THOSE SHOWN ABOVE.
4. LEAD COLORS ARE OPTIONAL. LEADS MUST ALWAYS BE NUMBERED AS SHOWN.

REV. DESC: REVISE TO SHOW OPTIONAL COLORS			
REV. LTR: E	BY: JLP	REVISED: 01/19/99 10:15	TDR: 0171435
90000		FILE: AAA00005140	MDL: -
		MTL: -	

**BALDOR ELECTRIC Co.**

3PH, DV, 9 LEADS

CD0005