

# **BALDOR® • RELIANCE**

**Product Information Packet**

**ELECTRIC MOTOR WHOLESAL.COM**

**VM3615**

**5HP,1745RPM,3PH,60HZ,184C,3634M,TEFC,F1**

| Part Detail |      |             |       |                |          |               |            |
|-------------|------|-------------|-------|----------------|----------|---------------|------------|
| Revision:   | -    | Status:     | PRD/A | Change #:      |          | Proprietary:  | No         |
| Type:       | AC   | Prod. Type: | 3634M | Elec. Spec:    | 36WGS543 | CD Diagram:   |            |
| Enclosure:  | TEFC | Mfg Plant:  |       | Mech. Spec:    | 36A013   | Layout:       |            |
| Frame:      | 184C | Mounting:   | F1    | Poles:         | 04       | Created Date: | 08-30-2010 |
| Base:       | N    | Rotation:   | R     | Insulation:    | F        | Eff. Date:    | 09-10-2010 |
| Leads:      | 9#16 | Literature: |       | Elec. Diagram: |          | Replaced By:  |            |

| Nameplate NP1256L |               |                |  |  |      |     |   |       |   |
|-------------------|---------------|----------------|--|--|------|-----|---|-------|---|
| CAT.NO.           | VM3615        |                |  |  |      |     |   |       |   |
| SPEC.             | 36A013S543H1  |                |  |  |      |     |   |       |   |
| HP                | 5             |                |  |  |      |     |   |       |   |
| VOLTS             | 208-230/460   |                |  |  |      |     |   |       |   |
| AMP               | 14.2-13.6/6.8 |                |  |  |      |     |   |       |   |
| RPM               | 1745          |                |  |  |      |     |   |       |   |
| FRAME             | 184C          | HZ             |  |  | 60   | PH  | 3 |       |   |
| SER.F.            | 1.15          | CODE           |  |  | J    | DES | A | CLASS | F |
| NEMA-NOM-EFF      | 87.5          | PF             |  |  | 78   |     |   |       |   |
| RATING            | 40C AMB-CONT  |                |  |  |      |     |   |       |   |
| CC                | 010A          | USABLE AT 208V |  |  |      |     |   |       |   |
| DE                | 6206          | ODE            |  |  | 6205 |     |   |       |   |
| ENCL              | TEFC          | SN             |  |  |      |     |   |       |   |
|                   |               |                |  |  |      |     |   |       |   |

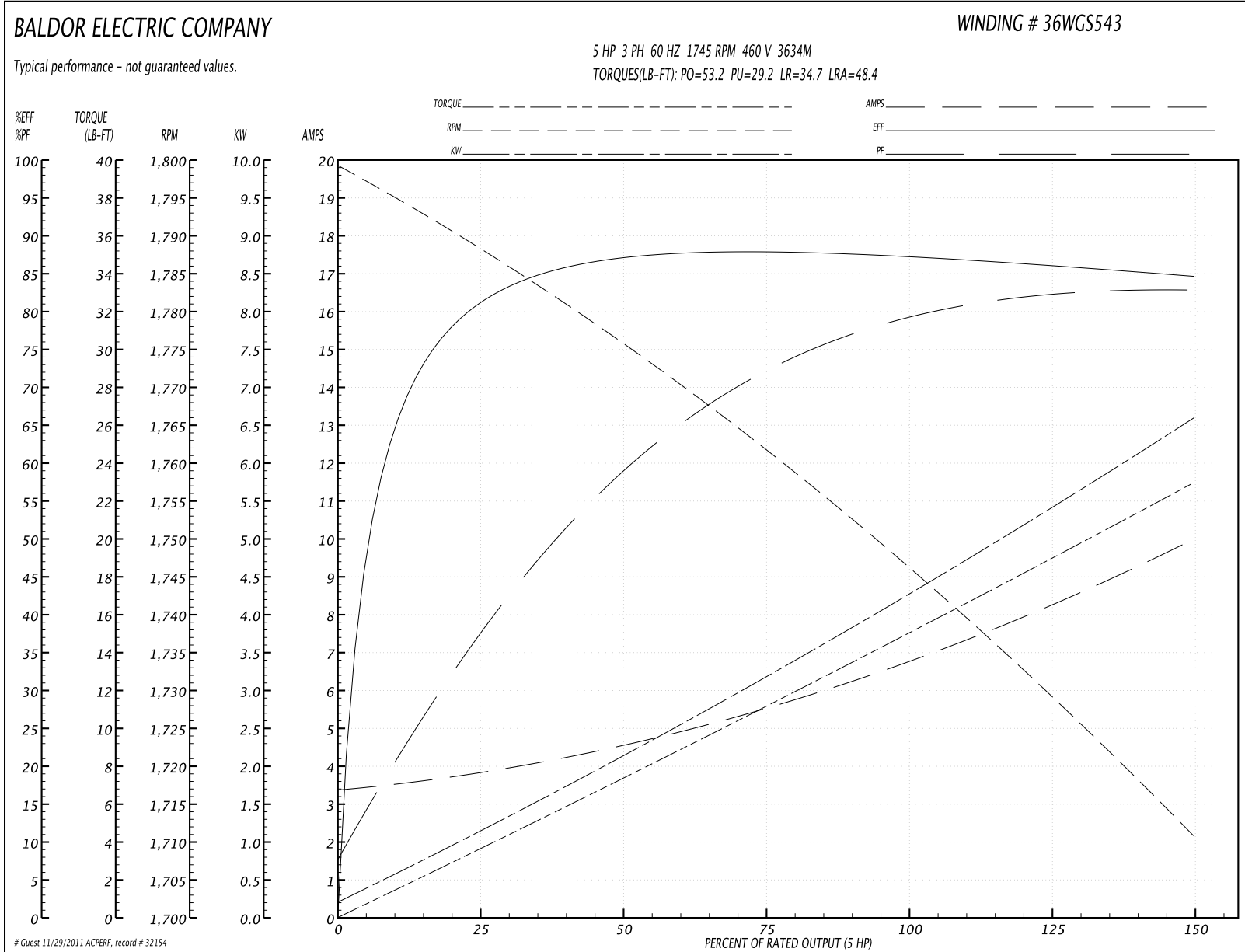
| Parts List     |  |          |
|----------------|--|----------|
| Part Number    | Description                              | Quantity |
| SA202707       | SA 36A013S543H1                          | 1.000 EA |
| RA189983       | RA 36A013S543H1                          | 1.000 EA |
| 36FN3000A01SP  | EXFN, PLASTIC, 7.00 OD, .912 ID          | 1.000 EA |
| S/P101-000-000 | EPACT PROCEDURES-FS PLANT-POLYREX EM, NO | 1.000 EA |
| 36CB3004       | 36 CB CASTING W/1.09 DIA LEAD HOLE @ 6:0 | 1.000 EA |
| 36GS1000SP     | GASKET-CONDUIT BOX, .06 THICK #SV-330 LE | 1.000 EA |
| 51XB1016A08    | 10-16X 1/2HXWSSLD SERTYB                 | 2.000 EA |
| 11XW1032G06    | 10-32 X .38, TAPTITE II, HEX WSHR SLTD U | 1.000 EA |
| HW3001B01      | 003SS CUP WASHER, FOR #8 SCREW           | 1.000 EA |
| 36EP3104A01    | FREP MACH W/GRSR, RAISED FH PADS         | 1.000 EA |
| HW4500A01      | 1641B(ALEMITE)400 UNIV, GREASE FITT      | 1.000 EA |
| HW5100A05      | WVY WSHR F/205 & 304 BRGS                | 1.000 EA |
| 36EP3303A03    | STD PU ENDPLATE -ENCL- 206 BRG W/OUT T-S | 1.000 EA |
| HW4500A01      | 1641B(ALEMITE)400 UNIV, GREASE FITT      | 1.000 EA |
| 10XN2520A24    | 1/4-20X 1 1/2 HEX HD X                   | 4.000 EA |
| HW1001A25      | LOCKWASHER 1/4, ZINC PLT .493 OD, .255 I | 4.000 EA |
| 51XB1214A16    | 12-14X1.00 HXWSSLD SERTYB                | 1.000 EA |
| 36FH4009A102SP | IEC FH GREASER W/AUTOPHERETIC PRIMER     | 1.000 EA |
| 51XW1032A06    | 10-32 X .38, TAPTITE II, HEX WSHR SLTD S | 3.000 EA |
| 36CB4516       | 36 LIPPED CB LID                         | 1.000 EA |
| 37GS1001SP     | GASKET, CONDUIT BOX LID, .06 THICK LEXID | 1.000 EA |
| 51XW0832A07    | 8-32 X .44, TAPTITE II, HEX WSHR SLTD SE | 4.000 EA |
| HW2501D13SP    | KEY, 3/16 SQ X 1.375                     | 1.000 EA |
| HA7000A01      | KEY RETAINER 7/8" DIA SHAFT              | 1.000 EA |

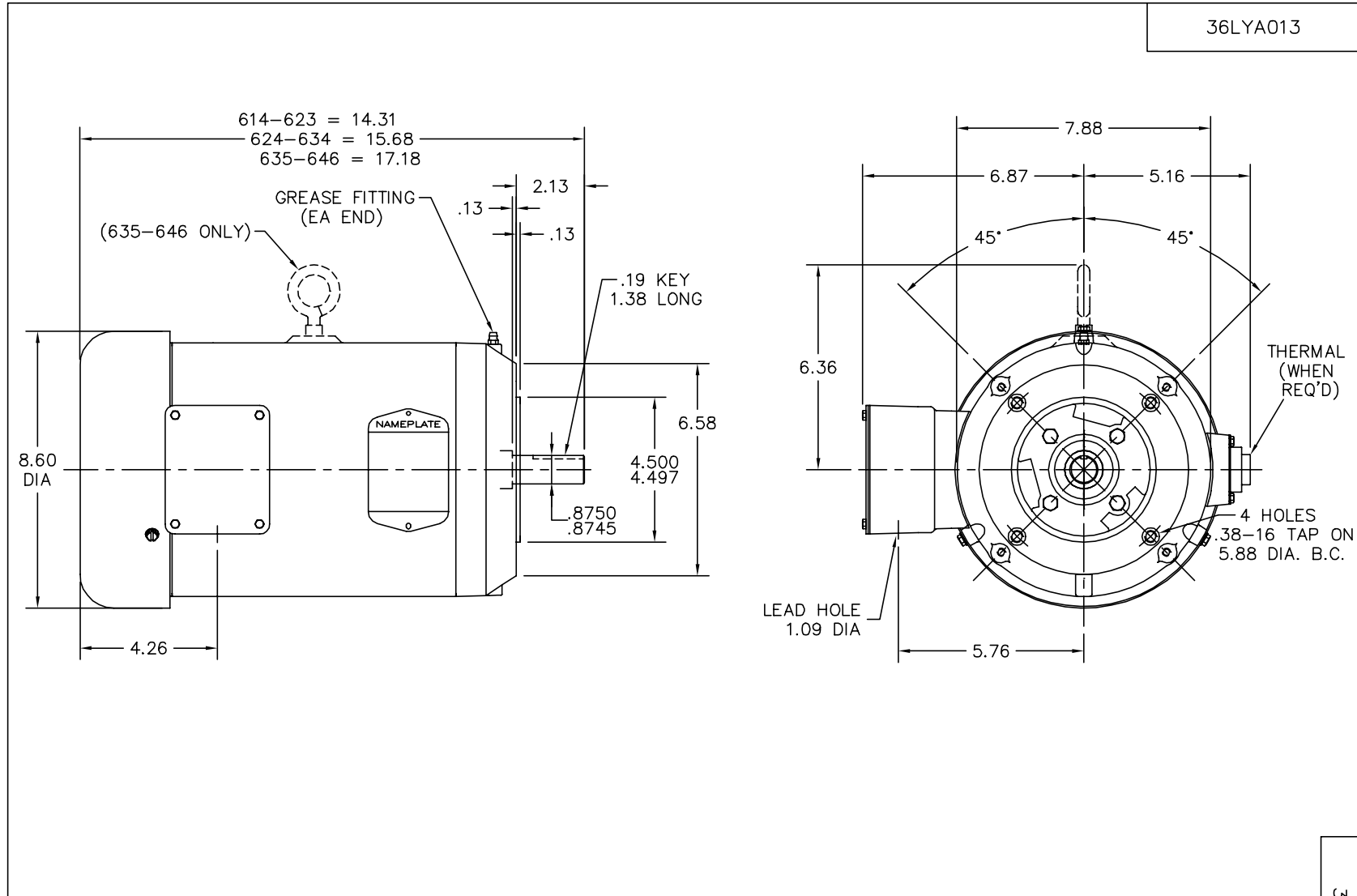
| Parts List (continued) |   |          |
|------------------------|---|----------|
| Part Number            | Description                             | Quantity |
| 85XU0407S04            | 4X1/4 U DRIVE PIN STAINLESS             | 2.000 EA |
| MJ1000A75              | GREASE, POLYREX EM EXXON                | 0.050 LB |
| HA3101A25              | THRUBOLT 1/4-20 X 11.000 OHIO ROD       | 4.000 EA |
| MG1000G27              | PAINT- S9282E CHARCOAL GREY             | 0.022 GA |
| LC0005E01              | CONN.DIA./WARNING LABEL (LC0005/LB1119) | 1.000 EA |
| LB1125C04              | STD-E (STOCK CTN LABEL STD-E WITH FLAG) | 1.000 EA |
| NP1256L                | ALUM, UL CSA CC, W/O THERMAL, LASER     | 1.000 EA |
| 36PA1000               | PACK GROUP W/LB5001                     | 1.000 EA |
| PK3082                 | STYROFOAM CRADLE                        | 1.000 EA |

**Performance Data at 460V, 60Hz, 5.0HP (Typical performance - Not guaranteed values)**

| General Characteristics  |                                  |        |        |                      |            |        |        |
|--------------------------|----------------------------------|--------|--------|----------------------|------------|--------|--------|
| Full Load Torque:        | 15.0 LB-FT                       |        |        | Start Configuration: | DOL        |        |        |
| No-Load Current:         | 3.42 Amps                        |        |        | Break-Down Torque:   | 53.2 LB-FT |        |        |
| Line-line Res. @ 25°C.:  | 2.6196 Ohms A Ph / 0.0 Ohms B Ph |        |        | Pull-Up Torque:      | 29.2 LB-FT |        |        |
| Temp. Rise @ Rated Load: | 78 C                             |        |        | Locked-Rotor Torque: | 34.7 LB-FT |        |        |
| Temp. Rise @ S.F. Load:  | 96 C                             |        |        | Starting Current:    | 48.4 Amps  |        |        |
| Load Characteristics     |                                  |        |        |                      |            |        |        |
| % of Rated Load          | 25                               | 50     | 75     | 100                  | 125        | 150    | S.F.   |
| Power Factor:            | 38.0                             | 59.0   | 72.0   | 78.0                 | 82.0       | 83.0   | 80.0   |
| Efficiency:              | 80.9                             | 87.1   | 88.3   | 87.8                 | 86.6       | 84.7   | 87.1   |
| Speed:                   | 1788.2                           | 1775.7 | 1761.9 | 1747.1               | 1729.5     | 1710.5 | 1737.0 |
| Line Amperes:            | 3.77                             | 4.5    | 5.5    | 6.83                 | 8.24       | 9.97   | 7.68   |

Performance Graph at 460V, 60Hz, 5.0HP Typical performance - Not guaranteed values





CUSTOMER IS RESPONSIBLE FOR DETERMINING THAT MOTOR PERFORMANCE IS SUITABLE IN THE APPLICATION.

|  |                      |                              |
|--|----------------------|------------------------------|
| REV. DESC: FREEZE LINES SHOWING THROUGH CAPACITOR/KO BOX |                      |                              |
| REV. LTR: G  | VERSION: 02          | TDR: 000000384004            |
| 36LYA013   | FILE: \AAA\00003\208 | REVISED: 15:16:57 12/22/2005 |
|  | MTL: -               | BY: ENCHRCO                  |

**BALDOR ELECTRIC Co.**

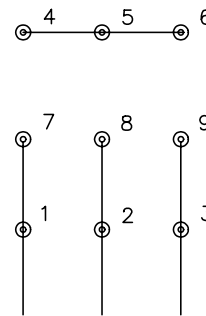
STD VERT FACE MTD 182-4C TEFC 36M

36LYA013

CD0005

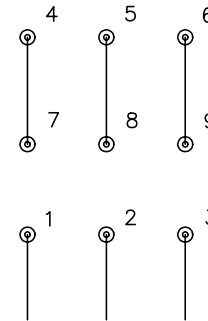


LOW VOLTAGE  
(2Y)



LINE

HIGH VOLTAGE  
(1Y)



LINE

NOTES:

1. INTERCHANGE ANY TWO LINE LEADS TO REVERSE ROTATION.
2. OPTIONAL THERMOSTATS ARE PROVIDED WHEN SPECIFIED.
3. ACTUAL NUMBER OF INTERNAL PARALLEL CIRCUITS MAY BE A MULTIPLE OF THOSE SHOWN ABOVE.
4. LEAD COLORS ARE OPTIONAL. LEADS MUST ALWAYS BE NUMBERED AS SHOWN.

|   |         |                         |              |
|---|---------|-------------------------|--------------|
| REV. DESC: REVISE TO SHOW OPTIONAL COLORS |         |                         |              |
| REV. LTR: E                               | BY: JLP | REVISED: 01/19/99 10:15 | TDR: 0171435 |
| 900000                                    |         | FILE: AAA00005140       | MDL: -       |
|   |         | MTL: -                  |              |

**BALDOR ELECTRIC Co.**

3PH, DV, 9 LEADS

CD0005