

BALDOR® • RELIANCE

Product Information Packet

ELECTRIC MOTOR WHOLESAL.COM

VUHM3546

1HP,1750RPM,3PH,60HZ,56C,3516M,TEFC,F3,N

Part Detail							
Revision:	L	Status:	PRD/A	Change #:		Proprietary:	No
Type:	AC	Prod. Type:	3516M	Elec. Spec:	35WGP674	CD Diagram:	
Enclosure:	TEFC	Mfg Plant:		Mech. Spec:	35X042	Layout:	
Frame:	56C	Mounting:	F3	Poles:	04	Created Date:	11-27-2007
Base:	N	Rotation:	R	Insulation:	F	Eff. Date:	12-14-2011
Leads:	9#18	Literature:		Elec. Diagram:		Replaced By:	

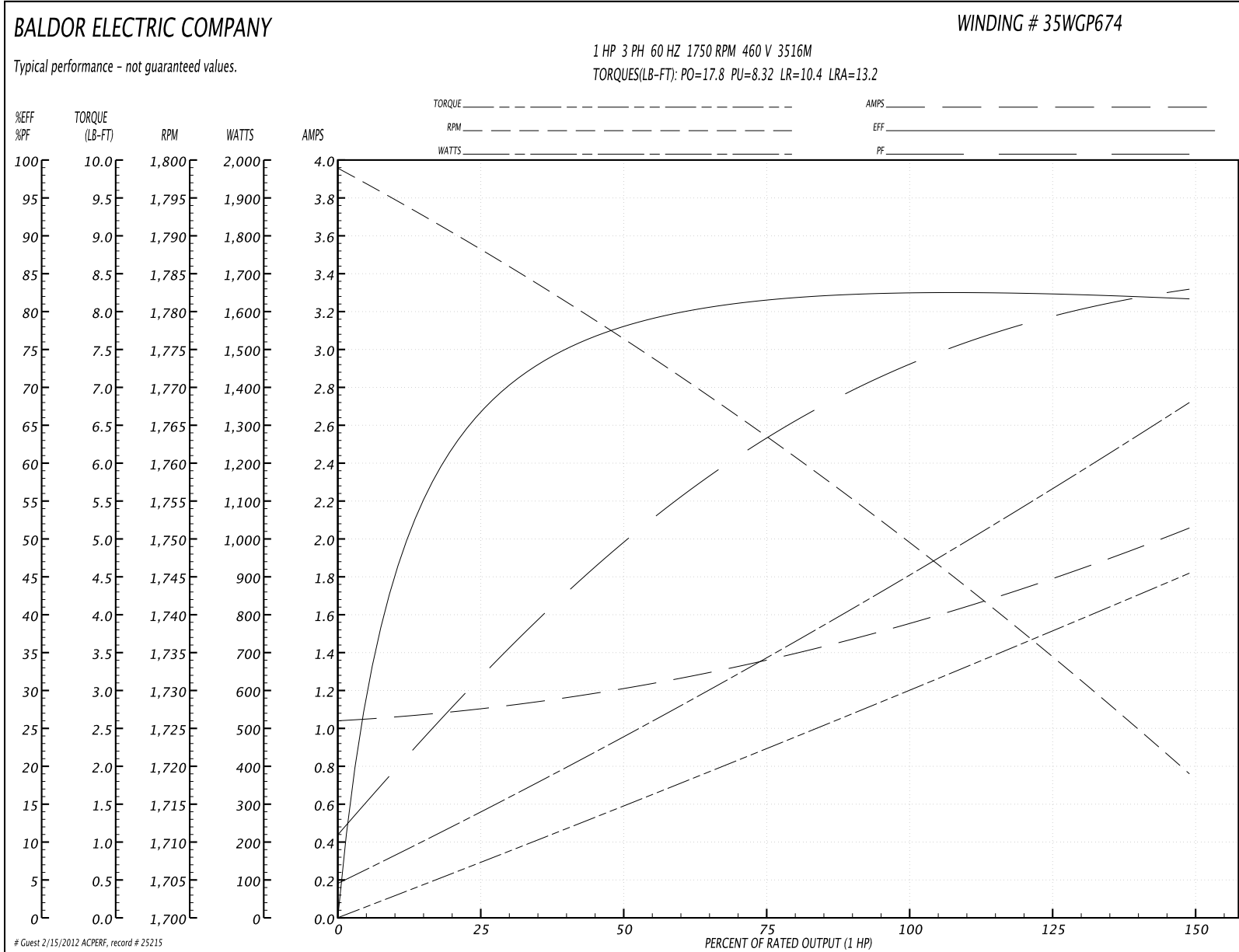
Nameplate NP1372L							
CAT.NO.	VUHM3546						
SPEC.	35X042P674H1						
HP	1						
VOLTS	208-230/460						
AMP	3.38-3.12/1.56						
RPM	1750						
FRAME	56C	HZ	60	PH	3		
SER.F.	1.15	CODE	M	DES	B	CL	F
NEMA-NOM-EFF	82.5	PF	73				
RATING	40C AMB-CONT						
CC			USABLE AT 208V				
DE	6205	ODE	6203				
ENCL	TEFC	SN					
	IP44						

Parts List		
Part Number	Description	Quantity
SA166050	SA 35X042P674H1	1.000 EA
RA154431	RA 35X042P674H1	1.000 EA
34FN3002B01	EXTERNAL FAN, PLASTIC, .637/.639 HUB W/	1.000 EA
S/P111-000-002	CORONA TEST, SUPER E MOTORS - FT. SMITH	1.000 EA
S/P101-000-000	EPACT PROCEDURES-FS PLANT-POLYREX EM, NO	1.000 EA
NS2512A01	INSULATOR, CONDUIT BOX X	1.000 EA
35CB4007	KOBX, AUTOPHORETIC (REL# 79097-49-C)	1.000 EA
35GS3009	GASKET, KOBX 35CB4006 (411881-15A)	1.000 EA
WD4100A110	CAPLUG,BP-1 1/8, PLUG W/RECESSED HEAD	1.000 EA
51XB1016A05	10-16X5/16HX WA SL SR TYB (F/S)	2.000 EA
11XW1032G06	10-32 X .38, TAPTITE II, HEX WSHR SLTD U	1.000 EA
HW3001B01	003SS CUP WASHER, FOR #8 SCREW	1.000 EA
35EP3100M02	FREP TEFC 203 BRG W/O GRSSR (RAISED FH MT	1.000 EA
HW5100A03SP	WAVY WASHER (W1543-017)	1.000 EA
35EP3300A33	SPL FACE MTD EP -ENCL-205 BRG	1.000 EA
51XN1032A20	10-32 X 1 1/4 HX WS SL SR	2.000 EA
51XB1214A16	12-14X1.00 HXWSSLD SERTYB	1.000 EA
35FH4005A32SP	IEC FH NO GRSSR W/3 HOLES - W/AUTOPHERETI	1.000 EA
51XW1032A06	10-32 X .38, TAPTITE II, HEX WSHR SLTD S	3.000 EA
35CB4519	CB LID RAW & UNPRIMED, REL# 79097-50-B	1.000 EA
35GS3019	GASKET, FOR KOBX LID 35CB4519	1.000 EA
51XW0832A07	8-32 X .44, TAPTITE II, HEX WSHR SLTD SE	4.000 EA
HW2501D13SP	KEY, 3/16 SQ X 1.375	1.000 EA
HA7000A04	KEY RETAINER 0.625 DIA SHAFTS	1.000 EA

Parts List (continued)		
Part Number	Description	Quantity
10XF0440S02	04-40 X 1/8 TYPE F HEX HD STAINLESS STIC	2.000 EA
MJ1000A75	GREASE, POLYREX EM EXXON	0.050 LB
MG1000N49	PAINT, 678.50 WILKO, REL GRN (55 GA)	0.017 GA
HA3100A15	THRUBOLT 10-32 X 8.375	4.000 EA
LC0005	CONN.DIA.,TY M,9-LD,DUAL VOLT,REVERSING	1.000 EA
LB1119	WARNING LABEL	1.000 EA
LB1125C04	STD-E (STOCK CTN LABEL STD-E WITH FLAG)	1.000 EA
LB5040	INSTRUCTION TAG, AC & DC	1.000 EA
NP1372L	ALUM, UL CE CSA CC, W/O THERMAL, LASER	1.000 EA
36PA1000	PACK GROUP W/LB5001	1.000 EA
PK3082	STYROFOAM CRADLE	1.000 EA

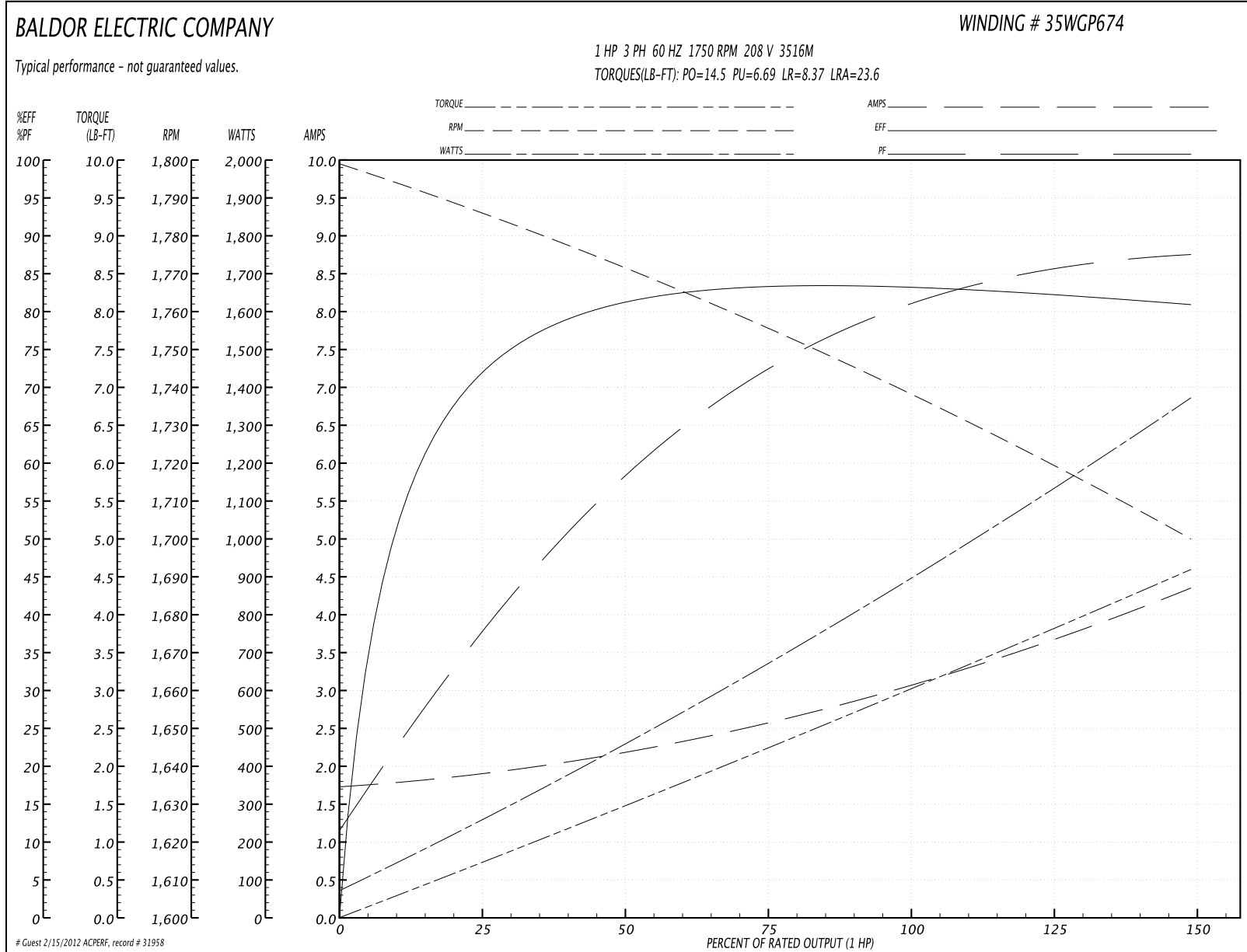
Performance Data at 460V, 60Hz, 1.0HP (Typical performance - Not guaranteed values)							
General Characteristics							
Full Load Torque:	2.99 LB-FT			Start Configuration:	DOL		
No-Load Current:	1.04 Amps			Break-Down Torque:	17.8 LB-FT		
Line-line Res. @ 25°C.:	16.3 Ohms A Ph / 0.0 Ohms B Ph			Pull-Up Torque:	8.32 LB-FT		
Temp. Rise @ Rated Load:	41 C			Locked-Rotor Torque:	10.4 LB-FT		
Temp. Rise @ S.F. Load:	50 C			Starting Current:	13.2 Amps		
Load Characteristics							
% of Rated Load	25	50	75	100	125	150	S.F.
Power Factor:	32.0	50.0	63.0	73.0	79.0	83.0	77.0
Efficiency:	66.7	77.9	81.3	82.6	82.6	81.6	82.6
Speed:	1788.0	1776.0	1764.0	1750.0	1735.0	1719.0	1741.0
Line Amperes:	1.11	1.2	1.36	1.56	1.77	2.06	1.69

Performance Graph at 460V, 60Hz, 1.0HP Typical performance - Not guaranteed values

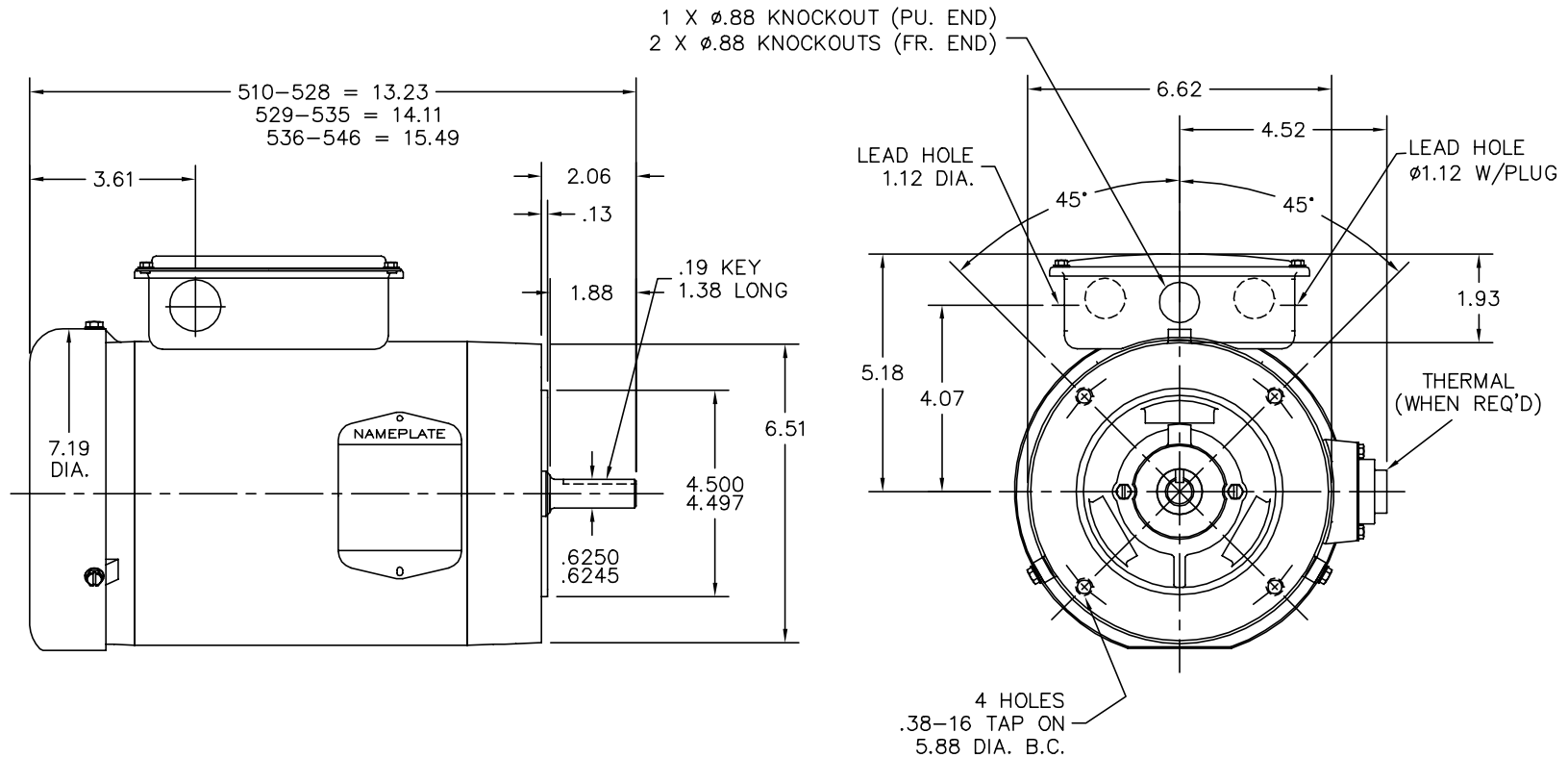


Performance Data at 208V, 60Hz, 1.0HP (Typical performance - Not guaranteed values)							
General Characteristics							
Full Load Torque:	3.01 LB-FT			Start Configuration:	DOL		
No-Load Current:	1.74 Amps			Break-Down Torque:	14.5 LB-FT		
Line-line Res. @ 25°C.:	4.09 Ohms A Ph / 0.0 Ohms B Ph			Pull-Up Torque:	6.69 LB-FT		
Temp. Rise @ Rated Load:	39 C			Locked-Rotor Torque:	8.37 LB-FT		
Temp. Rise @ S.F. Load:	46 C			Starting Current:	23.6 Amps		
Load Characteristics							
% of Rated Load	25	50	75	100	125	150	S.F.
Power Factor:	39.0	59.0	72.0	80.0	86.0	88.0	84.0
Efficiency:	71.5	81.0	83.3	83.4	82.5	80.8	82.9
Speed:	1786.0	1771.0	1756.0	1739.0	1720.0	1700.0	1728.0
Line Amperes:	1.9	2.16	2.57	3.09	3.63	4.35	3.41

Performance Graph at 208V, 60Hz, 1.0HP Typical performance - Not guaranteed values



35LYX042



CUSTOMER IS RESPONSIBLE FOR DETERMINING THAT MOTOR PERFORMANCE IS SUITABLE IN THE APPLICATION.

REV. DESC: NEW	VERSION: 00	TDR: 000000448475
REV. LTR: -	FILE: \AAA\00152\624	REVISED: 15:07:29 12/03/2007
35LYX042	MTL: -	BY: ENALEMO

BALDOR • DODGE • RELIANCE

VERT 56C TEFC M F3 W/35CB4007

35LYX042

CD0005



LOW VOLTAGE
(2Y)



LINE

HIGH VOLTAGE
(1Y)



LINE

NOTES:

1. INTERCHANGE ANY TWO LINE LEADS TO REVERSE ROTATION.
2. OPTIONAL THERMOSTATS ARE PROVIDED WHEN SPECIFIED.
3. ACTUAL NUMBER OF INTERNAL PARALLEL CIRCUITS MAY BE A MULTIPLE OF THOSE SHOWN ABOVE.
4. LEAD COLORS ARE OPTIONAL. LEADS MUST ALWAYS BE NUMBERED AS SHOWN.

REV. DESC: REVISE TO SHOW OPTIONAL COLORS			
REV. LTR: E	BY: JLP	REVISED: 01/19/99 10:15	TDR: 0171435
90000		FILE: AAA00005140	MDL: -
		MTL: -	

BALDOR ELECTRIC Co.

3PH, DV, 9 LEADS

CD0005