

BALDOR® • **RELIANCE**

Product Information Packet

ELECTRIC MOTOR WHOLESAL.COM

VUHM3554

1.5HP,1755RPM,3PH,60HZ,56C,3521M,TEFC,F3

| Part Detail | | | | | | | | | |
|-------------------|--------------|-------------|-------|----------------|----------|---------------|------------|----|---|
| Revision: | M | Status: | PRD/A | Change #: | | Proprietary: | No | | |
| Type: | AC | Prod. Type: | 3521M | Elec. Spec: | 35WGZ541 | CD Diagram: | | | |
| Enclosure: | TEFC | Mfg Plant: | | Mech. Spec: | 35X042 | Layout: | | | |
| Frame: | 56C | Mounting: | F3 | Poles: | 04 | Created Date: | 11-27-2007 | | |
| Base: | N | Rotation: | R | Insulation: | F | Eff. Date: | 12-14-2011 | | |
| Leads: | 9#18 | Literature: | | Elec. Diagram: | | Replaced By: | | | |
| Nameplate NP1372L | | | | | | | | | |
| CAT.NO. | VUHM3554 | | | | | | | | |
| SPEC. | 35X042Z541H1 | | | | | | | | |
| HP | 1.5 | | | | | | | | |
| VOLTS | 208-230/460 | | | | | | | | |
| AMP | 5.1-4.8/2.4 | | | | | | | | |
| RPM | 1755 | | | | | | | | |
| FRAME | 56C | HZ | | | 60 | PH | 3 | | |
| SER.F. | 1.15 | CODE | | | M | DES | B | CL | F |
| NEMA-NOM-EFF | 84 | PF | | | 70 | | | | |
| RATING | 40C AMB-CONT | | | | | | | | |
| CC | | | | USABLE AT 208V | | | | | |
| DE | 6205 | ODE | | | 6203 | | | | |
| ENCL | TEFC | SN | | | | | | | |
| | IP44 | | | | | | | | |

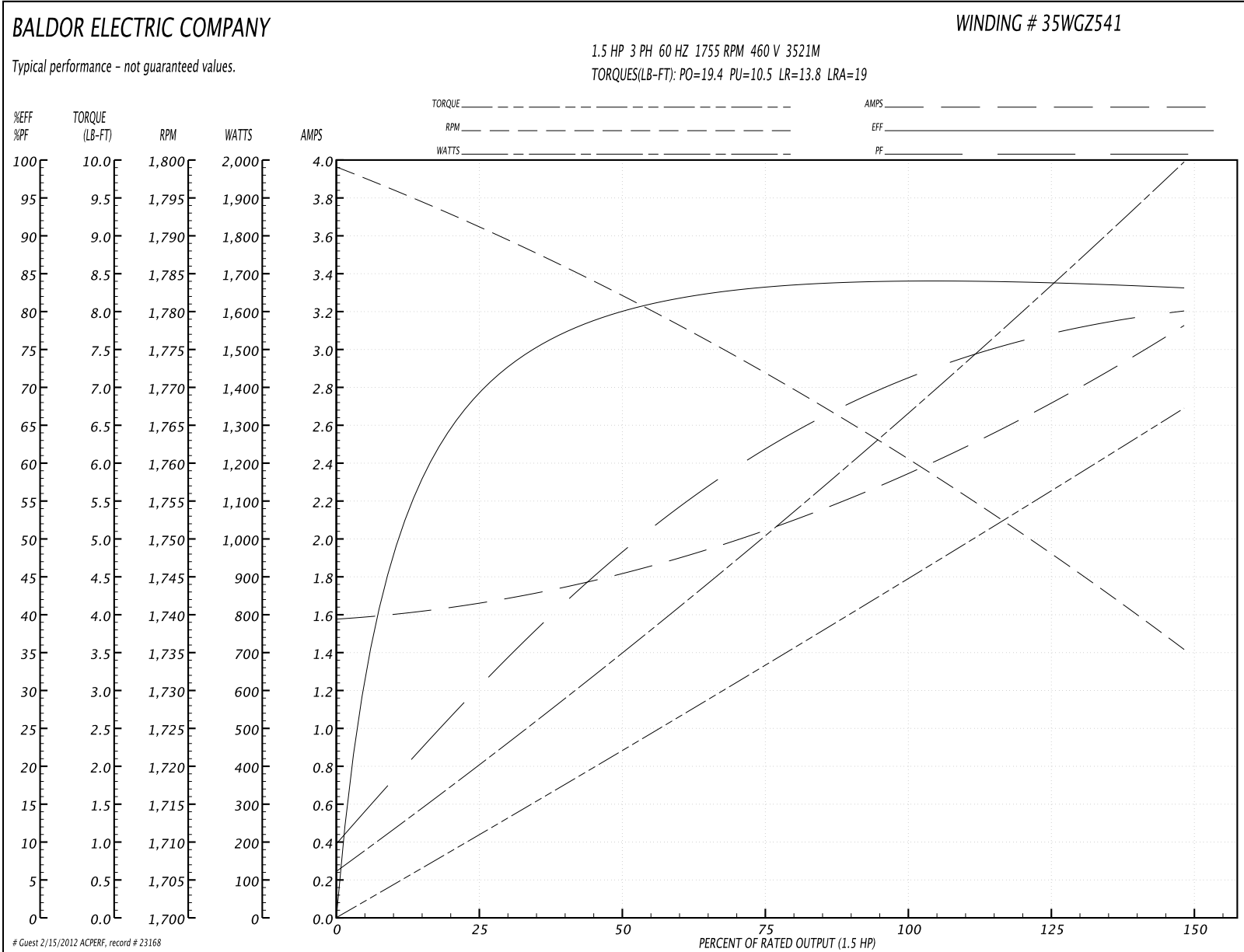
| Parts List | | |
|----------------|--|----------|
| Part Number | Description | Quantity |
| SA166051 | SA 35X042Z541H1 | 1.000 EA |
| RA154432 | RA 35X042Z541H1 | 1.000 EA |
| 34FN3002B01 | EXTERNAL FAN, PLASTIC, .637/.639 HUB W/ | 1.000 EA |
| S/P111-000-002 | CORONA TEST, SUPER E MOTORS - FT. SMITH | 1.000 EA |
| S/P101-000-000 | EPACT PROCEDURES-FS PLANT-POLYREX EM, NO | 1.000 EA |
| NS2512A01 | INSULATOR, CONDUIT BOX X | 1.000 EA |
| 35CB4007 | KOBX, AUTOPHORETIC (REL# 79097-49-C) | 1.000 EA |
| 35GS3009 | GASKET, KOBX 35CB4006 (411881-15A) | 1.000 EA |
| WD4100A110 | CAPLUG,BP-1 1/8, PLUG W/RECESSED HEAD | 1.000 EA |
| 51XB1016A05 | 10-16X5/16HX WA SL SR TYB (F/S) | 2.000 EA |
| 11XW1032G06 | 10-32 X .38, TAPTITE II, HEX WSHR SLTD U | 1.000 EA |
| HW3001B01 | 003SS CUP WASHER, FOR #8 SCREW | 1.000 EA |
| 35EP3100M02 | FREP TEFC 203 BRG W/O GRSR (RAISED FH MT | 1.000 EA |
| HW5100A03SP | WAVY WASHER (W1543-017) | 1.000 EA |
| 35EP3300A33 | SPL FACE MTD EP -ENCL-205 BRG | 1.000 EA |
| 51XN1032A20 | 10-32 X 1 1/4 HX WS SL SR | 2.000 EA |
| 51XB1214A16 | 12-14X1.00 HXWSSLD SERTYB | 1.000 EA |
| 35FH4005A32SP | IEC FH NO GRSR W/3 HOLES - W/AUTOPHERETI | 1.000 EA |
| 51XW1032A06 | 10-32 X .38, TAPTITE II, HEX WSHR SLTD S | 3.000 EA |
| 35CB4519 | CB LID RAW & UNPRIMED, REL# 79097-50-B | 1.000 EA |
| 35GS3019 | GASKET, FOR KOBX LID 35CB4519 | 1.000 EA |
| 51XW0832A07 | 8-32 X .44, TAPTITE II, HEX WSHR SLTD SE | 4.000 EA |
| HW2501D13SP | KEY, 3/16 SQ X 1.375 | 1.000 EA |
| HA7000A04 | KEY RETAINER 0.625 DIA SHAFTS | 1.000 EA |

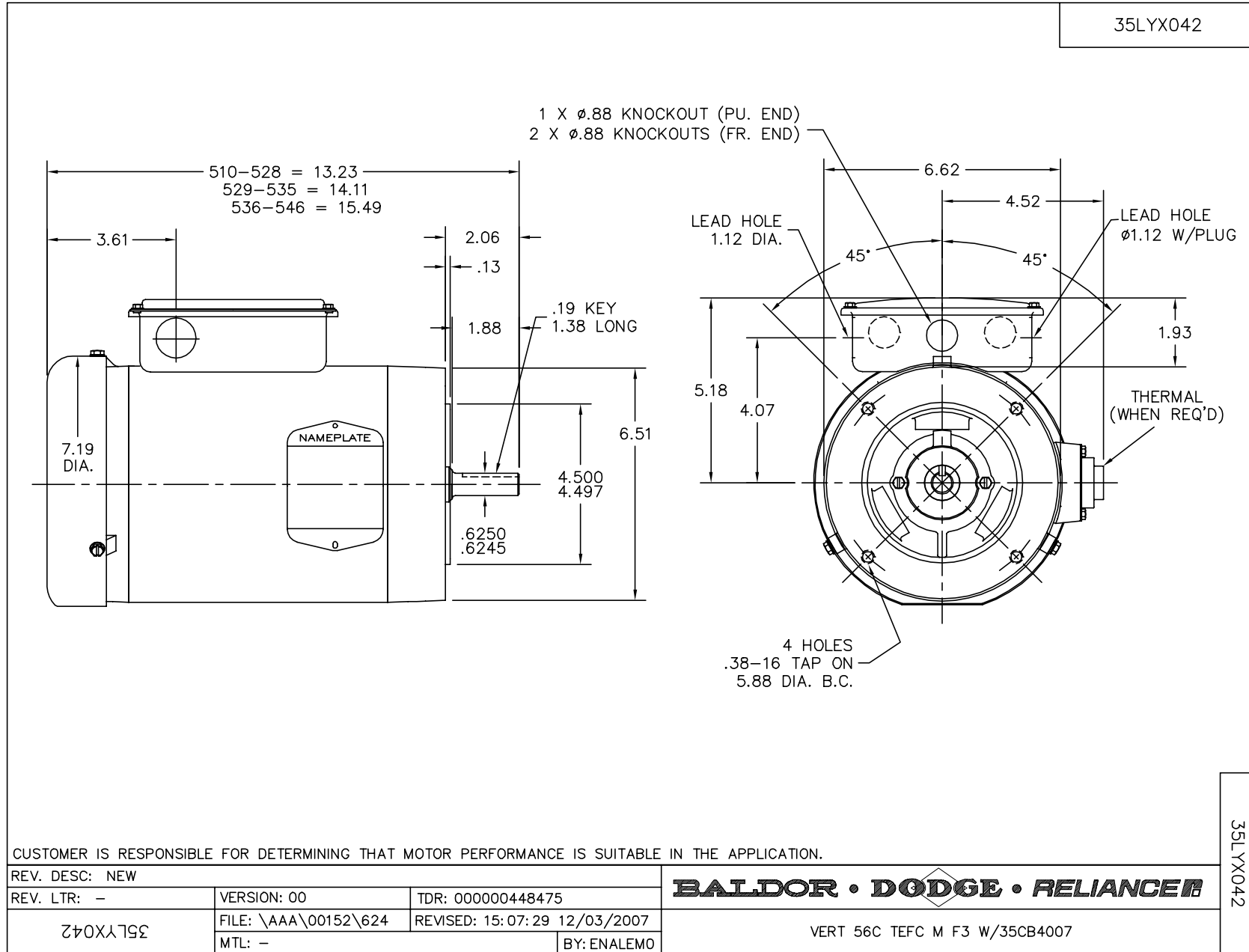
| Parts List (continued) | | |
|------------------------|--|----------|
| Part Number | Description | Quantity |
| 10XF0440S02 | 04-40 X 1/8 TYPE F HEX HD STAINLESS STIC | 2.000 EA |
| MJ1000A75 | GREASE, POLYREX EM EXXON | 0.050 LB |
| MG1000N49 | PAINT, 678.50 WILKO, REL GRN (55 GA) | 0.017 GA |
| HA3100A15 | THRUBOLT 10-32 X 8.375 | 4.000 EA |
| LC0005 | CONN.DIA.,TY M,9-LD,DUAL VOLT,REVERSING | 1.000 EA |
| LB1119 | WARNING LABEL | 1.000 EA |
| LB1125C04 | STD-E (STOCK CTN LABEL STD-E WITH FLAG) | 1.000 EA |
| LB5040 | INSTRUCTION TAG, AC & DC | 1.000 EA |
| NP1372L | ALUM, UL CE CSA CC, W/O THERMAL, LASER | 1.000 EA |
| 36PA1000 | PACK GROUP W/LB5001 | 1.000 EA |
| PK3082 | STYROFOAM CRADLE | 1.000 EA |

Performance Data at 460V, 60Hz, 1.5HP (Typical performance - Not guaranteed values)

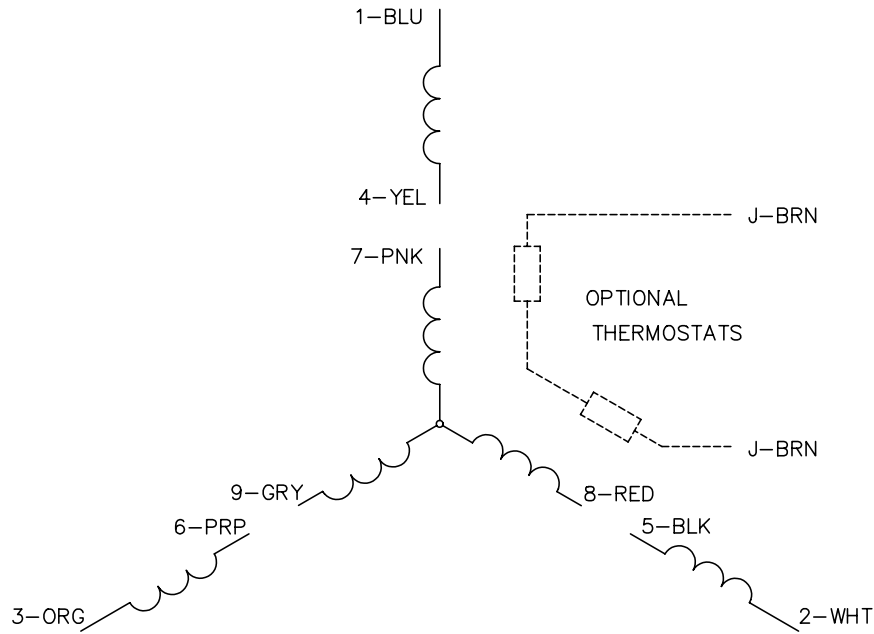
| General Characteristics | | | | | | | |
|--------------------------|--------------------------------|--------|--------|----------------------|------------|--------|--------|
| Full Load Torque: | 4.43 LB-FT | | | Start Configuration: | DOL | | |
| No-Load Current: | 1.59 Amps | | | Break-Down Torque: | 19.4 LB-FT | | |
| Line-line Res. @ 25°C.: | 10.1 Ohms A Ph / 0.0 Ohms B Ph | | | Pull-Up Torque: | 10.5 LB-FT | | |
| Temp. Rise @ Rated Load: | 56 C | | | Locked-Rotor Torque: | 13.8 LB-FT | | |
| Temp. Rise @ S.F. Load: | 65 C | | | Starting Current: | 19.0 Amps | | |
| Load Characteristics | | | | | | | |
| % of Rated Load | 25 | 50 | 75 | 100 | 125 | 150 | S.F. |
| Power Factor: | 30.0 | 48.0 | 62.0 | 70.0 | 77.0 | 80.0 | 74.0 |
| Efficiency: | 68.2 | 79.4 | 83.0 | 84.0 | 83.9 | 83.0 | 83.9 |
| Speed: | 1792.0 | 1782.0 | 1772.0 | 1761.0 | 1749.0 | 1735.0 | 1754.0 |
| Line Amperes: | 1.64 | 1.8 | 2.04 | 2.35 | 2.71 | 3.12 | 2.57 |

Performance Graph at 460V, 60Hz, 1.5HP Typical performance - Not guaranteed values

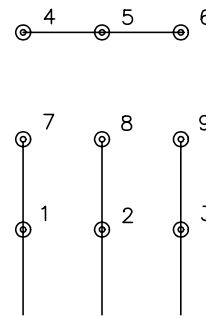




CD0005

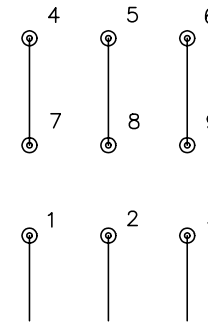


LOW VOLTAGE
(2Y)



LINE

HIGH VOLTAGE
(1Y)



LINE

NOTES:

1. INTERCHANGE ANY TWO LINE LEADS TO REVERSE ROTATION.
2. OPTIONAL THERMOSTATS ARE PROVIDED WHEN SPECIFIED.
3. ACTUAL NUMBER OF INTERNAL PARALLEL CIRCUITS MAY BE A MULTIPLE OF THOSE SHOWN ABOVE.
4. LEAD COLORS ARE OPTIONAL. LEADS MUST ALWAYS BE NUMBERED AS SHOWN.

| | | | |
|---|---------|-------------------------|--------------|
| REV. DESC: REVISE TO SHOW OPTIONAL COLORS | | | |
| REV. LTR: E | BY: JLP | REVISED: 01/19/99 10:15 | TDR: 0171435 |
| 9000D | | FILE: AAA00005140 | MDL: - |
| | | MTL: - | |

BALDOR ELECTRIC Co.

3PH, DV, 9 LEADS

CD0005