

# **BALDOR**® • *RELIANCE*

## **Product Information Packet**

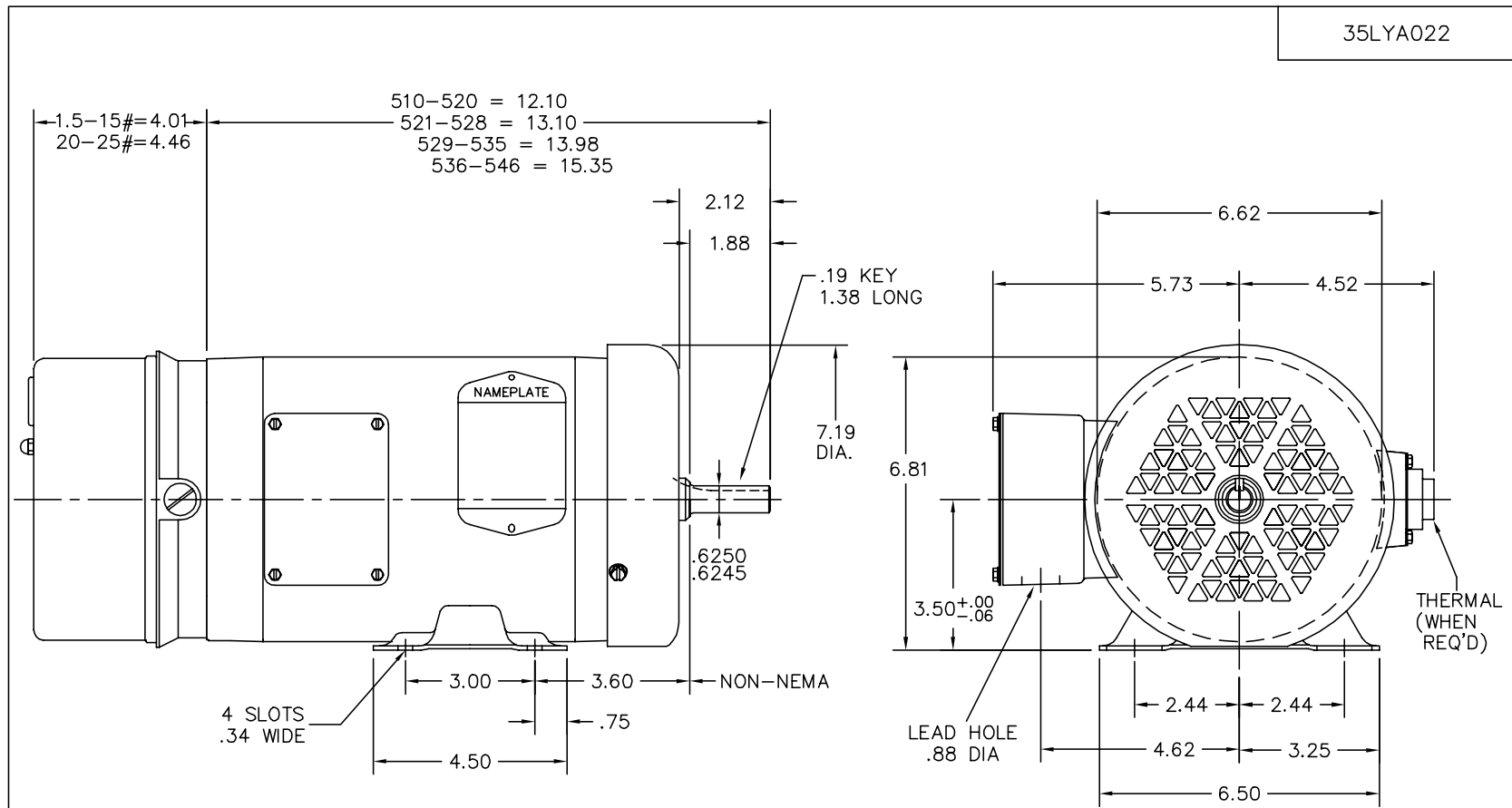
# **BM3554**

**1.5HP,1755RPM,3PH,60HZ,56,3521M,TEFC,F1**

Product Detail							
Revision:	-	Status:	PRD/A	Change #:		Proprietary:	No
Type:	AC	Prod Type:	3521M	Elec. Spec:	35WGZ541	CD Diagram:	CD0005
Enclosure	TEFC	Mfg Plant:		Mech Spec:	35A022	Layout:	35LYA022
Frame:	56	Mounting:	F1	Poles:	04	Created Date:	01-14-2008
Base:	RG	Rotation:	R	Insulation:	B	Eff. Date:	01-24-2008
Leads:	9#18					Replaced By:	
Nameplate NP1256L							
CAT.NO.	BM3554						
SPEC.	35A022Z541G1						
HP	1.5						
VOLTS	208-230/460						
AMP	5.1-4.8/2.4						
RPM	1755						
FRAME	56	HZ	60	PH	3		
SER.F.	1.15	CODE	M	DES	B	CLASS	B
NEMA-NOM-EFF	84	PF	70				
RATING	40C AMB-CONT						
CC		USABLE AT 208V					
DE	6205	ODE	6203				
ENCL	TEFC	SN					

<b>Parts List</b>			
<b>Product ID</b>	<b>Description</b>	<b>Quantity</b>	<b>List Price</b>
SA167241	SA 35A022Z541G1	1.000	660.00
RA155580	RA 35A022Z541G1	1.000	550.00
NS2512A01	INSULATOR, CONDUIT BOX X X	1.000	2.00
35CB3007	35 CB CASTING W/.88 DIA. LEAD HOLE	1.000	27.00
36GS1000SP	GASKET-CONDUIT BOX, .06 THICK #SV-330 LE	1.000	5.00
51XB1016A07	10-16 X 7/16 HXWSSLD SERTYB	2.000	2.00
11XW1032G06	10-32 X .38, TAPTITE II, HEX WSHR SLTD U	1.000	2.00
35EP3900T01	SPL FACE MTD FR EP-ENCL-W/STEARNS BRAKE	1.000	66.00
HW5100A03SP	WAVY WASHER (W1543-017)	1.000	2.00
35EP3101A04	STL PU EP-ENCL-205 BRG- FAN ON PULLEY EN	1.000	66.00
XY1032A02	10-32 HEX NUT DIRECTIONAL SERRATION	4.000	2.00
HW2501D10	KEY, 3/16 SQ X 1.000	1.000	2.00
51XB1214A16	12-14X1.00 HXWSSLD SERTYB	1.000	2.00
HW2500A16	KEY, USA #606, WOODRUFF	1.000	2.00
35FH4005A08	IEC FH NO GRSSR W/1/12 SHAFT HOLE, W/ AUT	1.000	16.00
51XW1032A06	10-32 X .38, TAPTITE II, HEX WSHR SLTD S	3.000	3.00
35CB4510	35 CB LID	1.000	2.00
35GS1030	35 GS FOR CB LID - LEXIDE	1.000	2.00
51XW0832A07	8-32 X .44, TAPTITE II, HEX WSHR SLTD SE	4.000	2.00
HW2501D13SP	KEY, 3/16 SQ X 1.375	1.000	2.00
HA7000A04	KEY RETAINER 0.625 DIA SHAFTS	1.000	2.00
10XF0440S02	04-40 X 1/8 TYPE F HEX HD STAINLESS STIC	2.000	2.00
MJ1000A02	GREASE, POLYREX EM EXXON	0.050	10.00
84XN3816J28	HEX SOC HD, 3/8-16 X 1.75 LONG	2.000	2.00

<b>Parts List (continued)</b>			
<b>Product ID</b>	<b>Description</b>	<b>Quantity</b>	<b>List Price</b>
35FN3002A02SP	EXT. FAN, PLASTIC, FOR .988/.986 JOURNAL	1.000	22.00
MG1000G27	PAINT- S9282E CHARCOAL GREY	0.017	4,000.00
HA3100A18	THRUBOLT 10-32 X 9.250	4.000	2.00
76BK3100BPF	1-056-031-00-BPF BRAKE TDR# 79345	1.000	659.00
LB1125C01	STD (STOCK) CARTON LABEL BALDOR WITH FLA	1.000	2.00
LC0005E01	CONN.DIA./WARNING LABEL (LC0005/LB1119)	1.000	2.00
LB1185	LABEL,BRAKE CONNECTION (ON ROLLS)	1.000	2.00
NP1256L	NP STD LASER ENGRAVED, UL CSA CC, W/O TH	1.000	3.00
36PA1000	PACK GROUP W/LB5001	1.000	17.00



35LYA022

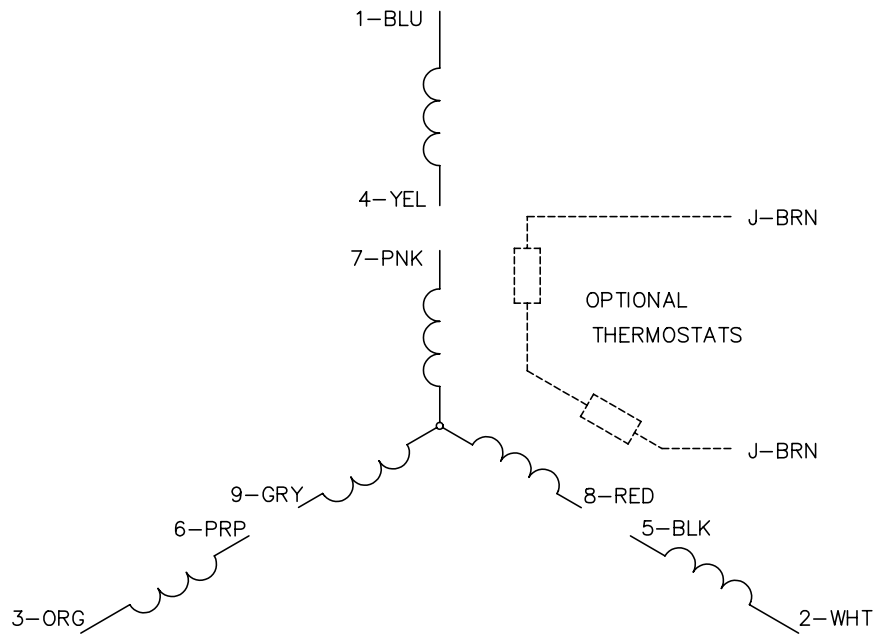
CUSTOMER IS RESPONSIBLE FOR DETERMINING THAT MOTOR PERFORMANCE IS SUITABLE IN THE APPLICATION.

REV. DESC: UPDATED BASE - WAS 35BA4001			
REV. LTR: H	BY: MW	REVISED: 10:33:49 12/21/2001	TDR: 258590
35LYA022		FILE: AAA00005549	REF: 35LYA022
		MTL: -	

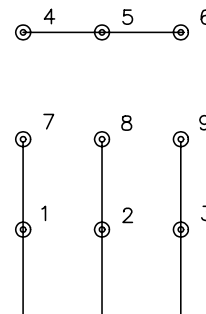
**BALDOR ELECTRIC Co.**  
 STD HORZ 56 TEFC 35M W/BRAKE

35LYA022

CD0005

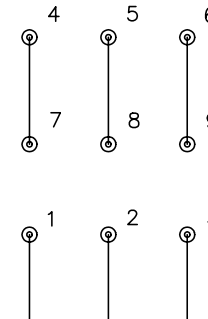


LOW VOLTAGE  
(2Y)



LINE

HIGH VOLTAGE  
(1Y)



LINE

NOTES:

1. INTERCHANGE ANY TWO LINE LEADS TO REVERSE ROTATION.
2. OPTIONAL THERMOSTATS ARE PROVIDED WHEN SPECIFIED.
3. ACTUAL NUMBER OF INTERNAL PARALLEL CIRCUITS MAY BE A MULTIPLE OF THOSE SHOWN ABOVE.
4. LEAD COLORS ARE OPTIONAL. LEADS MUST ALWAYS BE NUMBERED AS SHOWN.

REV. DESC: REVISE TO SHOW OPTIONAL COLORS			
REV. LTR: E	BY: JLP	REVISED: 01/19/99 10:15	TDR: 0171435
900000		FILE: AAA00005140	MDL: -
		MTL: -	

**BALDOR ELECTRIC Co.**

3PH, DV, 9 LEADS

CD0005