

# **BALDOR® • RELIANCE**

## **Product Information Packet**

### **CBM3611T**

**3HP,1725RPM,3PH,60HZ,182TC,BRAKE,3623M**

Product Detail							
Revision:	U	Status:	PRD/A	Change #:		Proprietary:	No
Type:	AC	Prod Type:	3623M	Elec. Spec:	36WG1868	CD Diagram:	CD0005
Enclosure	TEFC	Mfg Plant:		Mech Spec:	36E047	Layout:	36LYE047
Frame:	182TC	Mounting:	F1	Poles:	04	Created Date:	
Base:	RG	Rotation:	R	Insulation:	F	Eff. Date:	10-22-2008
Leads:	9#16	Literature:		Elec. Diagram:		Replaced By:	

**Nameplate NP1256L**

CAT.NO.	CBM3611T						
SPEC.	36E47-1868-D						
HP	3						
VOLTS	208-230/460						
AMP	9-8.6/4.3						
RPM	1725						
FRAME	182TC	HZ	60	PH	3		
SER.F.	1.15	CODE	H	DES	B	CLASS	F
NEMA-NOM-EFF	82.5	PF	75				
RATING	40C AMB-CONT						
CC		USABLE AT 208V	9				
DE	6206	ODE	6205				
ENCL	TEFC	SN					

Parts List		
Product ID	Description	Quantity
SA034641	SA 36E47-1868-D	1.000
RA030669	RA 36E47-1868-D	1.000
36CB3004	36 CB CASTING W/1.09 DIA LEAD HOLE @ 6:0	1.000
36GS1000SP	GASKET-CONDUIT BOX, .06 THICK #SV-330 LE	1.000
51XB1016A08	10-16X 1/2HXWSSLD SERTYB	2.000
11XW1032G06	10-32 X .38, TAPTITE II, HEX WSHR SLTD U	1.000
HW3001A01	D3019 BRASS WASHER(STIMP)	1.000
36EP3306A04	FR ENDPLATE, MACH .281 FOR T-BOLT, W/O T	1.000
HW4500A01	1641B(ALEMITE)400 UNIV, GREASE FITT	1.000
HW5100A05		1.000
36EP3301A23	PU ENDPLATE, ENCL. 182-4TC 206 BRG. W/GR	1.000
HW4500A01	1641B(ALEMITE)400 UNIV, GREASE FITT	1.000
10XN2520A28	1/4-20X 1 3/4 HEX HD	4.000
HW1001A25	LOCKWASHER 1/4, ZINC PLT .493 OD, .255 I	4.000
BR1003A01	BRAKE RELEASE LEVER, 1 1/8 X1 5/16 SS ST	1.000
HW2501D08	KEY, 3/16 SQ X .875 AUTO	1.000
51XB1214A16	12-14X1.00 HXWSSLD SERTYB	1.000
HA1014A02SP	SPL SPACER FOR FAN COVER MTD ON BRAKE	3.000
51XN1032A07	10-32 X 0.438 HX WS SL SR ZN	3.000
35FH5000A08SP	FAN COVER ASSY FOR BRAKE MTRS,W/ AUTOPHE	1.000
51XW1032A06	10-32 X .38, TAPTITE II, HEX WSHR SLTD S	3.000
36CB4516	36 LIPPED CB LID	1.000
37GS1001SP	GASKET, CONDUIT BOX LID, .06 THICK LEXID	1.000
51XW0832A07	8-32 X .44, TAPTITE II, HEX WSHR SLTD SE	4.000

Parts List (continued)		
Product ID	Description	Quantity
HW2501E16	KEY, 1/4 SQ X 1.750	1.000
HA7000A02	KEY RETAINER RING, 1 1/8 DIA, 1 3/8 DIA	1.000
10XF0440S02	04-40 X 1/8 TYPE F HEX HD STAINLESS STIC	2.000
MJ1000A02	MOBIL POLYREX EM/35LB	0.050
84XN3816J28	HEX SOC HD, 3/8-16 X 1.75 LONG	2.000
35FN3002A05SP	EXFN, PLASTIC, 6.376 OD, .638 ID	1.000
MG1000G27	PAINT- S9282E CHARCOAL GREY	0.022
HA3101A24	THRUBOLT 1/4-20 X 10.125 DEMBY	4.000
76BK4100DPF	1-056-041-00-DPF BRAKE TDR# 79345	1.000
LB1125C01	STD (STOCK) CARTON LABEL BALDOR WITH FLA	1.000
LB1185	LABEL,BRAKE CONNECTION (ON ROLLS)	1.000
LC0005E01	CONN.DIA./WARNING LABEL (LC0005/LB1119)	1.000
NP1256L	ALUM, UL CSA CC, W/O THERMAL, LASER	1.000
GOPA1000	PACKAGING GROUP	1.000

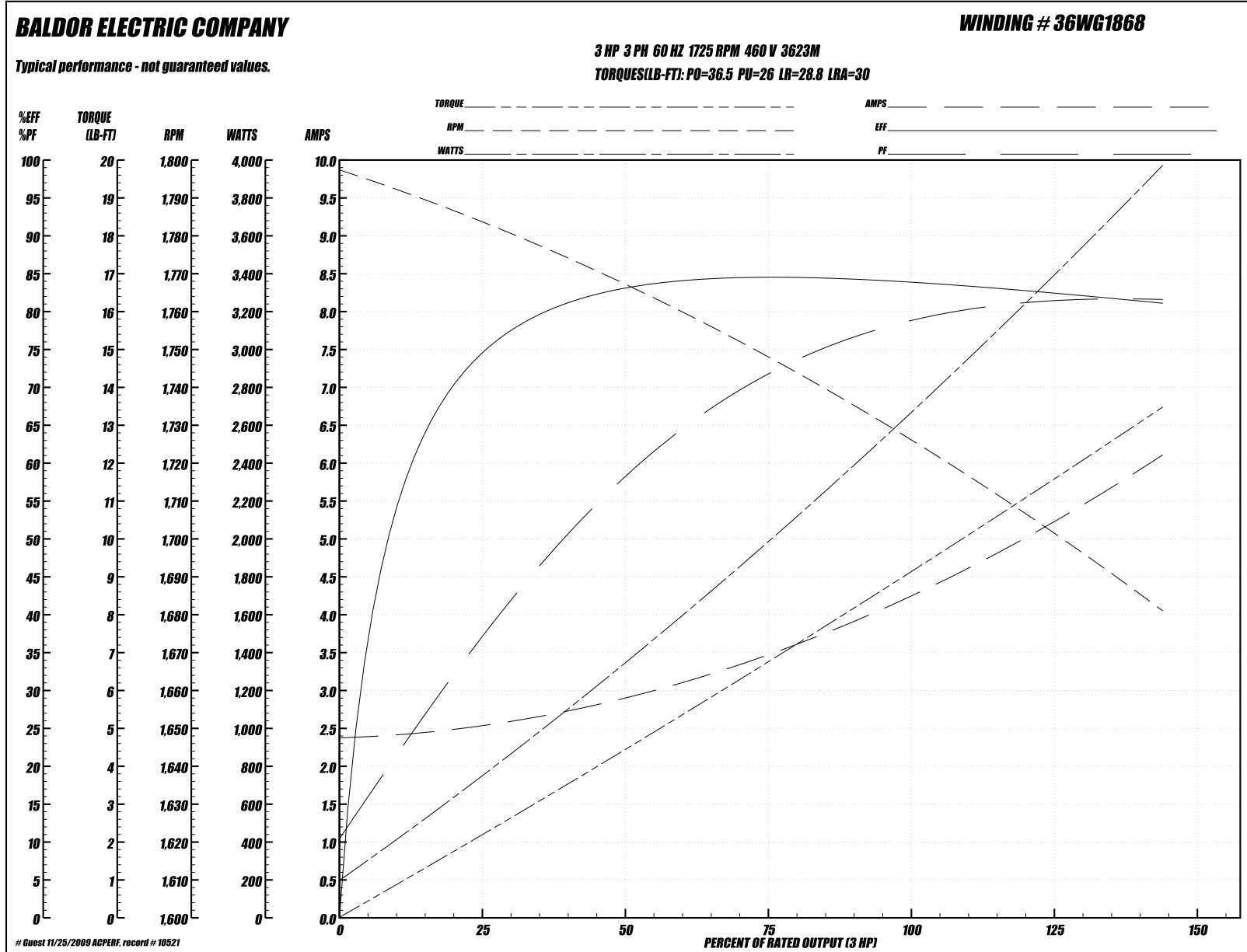
**Performance Data at 460V, 60Hz, 3.0HP (Typical performance - Not guaranteed values)**
**General Characteristics**

<b>Full Load Torque:</b>	9.0 LB-FT	<b>Start Configuration:</b>	DOL
<b>No-Load Current:</b>	2.4 Amps	<b>Break-Down Torque:</b>	36.5 LB-FT
<b>Line-line Res. @ 25°C.:</b>	5.07 Ohms A Ph / 0.0 Ohms B Ph	<b>Pull-Up Torque:</b>	26.0 LB-FT
<b>Temp. Rise @ Rated Load:</b>	67°C	<b>Locked-Rotor Torque:</b>	28.8 LB-FT
<b>Temp. Rise @ S.F. Load:</b>	82°C	<b>Starting Current:</b>	30.0 Amps

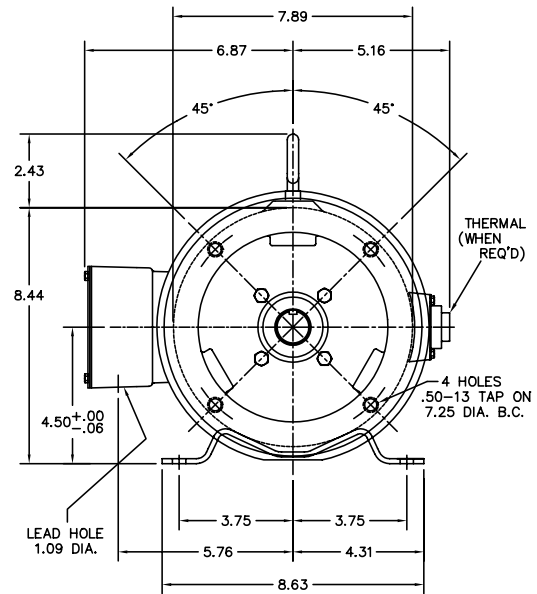
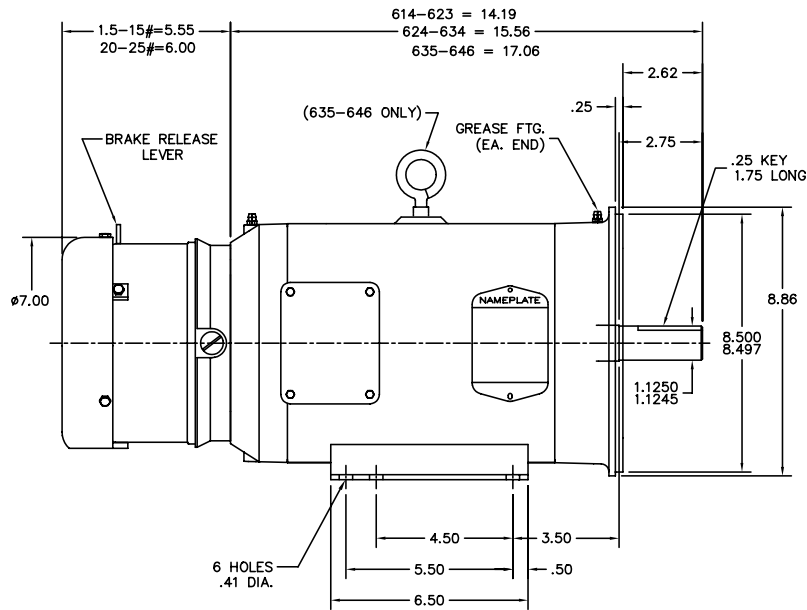
**Load Characteristics**

<b>% of Rated Load:</b>	<b>25</b>	<b>50</b>	<b>75</b>	<b>100</b>	<b>125</b>	<b>150</b>	<b>S.F.</b>
<b>Power Factor:</b>	38.0	59.0	72.0	79.0	83.0	86.0	81.0
<b>Efficiency:</b>	74.4	82.6	84.5	84.2	82.9	80.9	83.4
<b>Speed:</b>	1783.0	1766.0	1748.0	1728.0	1706.0	1680.0	1715.0
<b>Line Amperes:</b>	2.5	2.9	3.5	4.2	5.1	6.1	4.8

Performance Graph at 460V, 60Hz, 3.0HP (Typical performance - Not guaranteed values)



36LYE047



CUSTOMER IS RESPONSIBLE FOR DETERMINING THAT MOTOR PERFORMANCE IS SUITABLE IN THE APPLICATION.

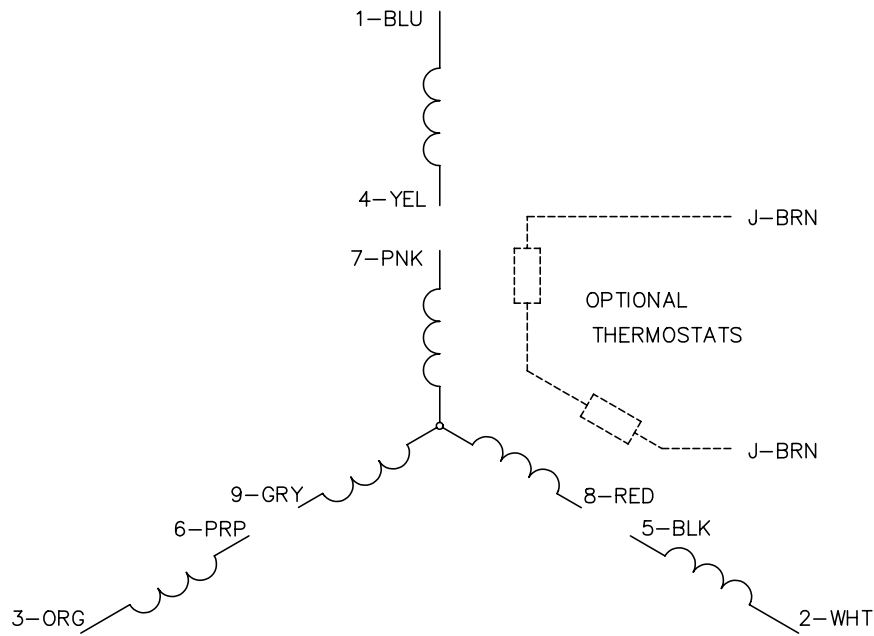
REV. DESC:	36EP3306A04 WAS 36EP1303A49
REV. LTR:	L BY: JMB REVISED: 08/04/00 10:46 TDR: 0214694
FILE:	AAA00003641 REF: -
MTL:	-

**BALDOR ELECTRIC Co.**

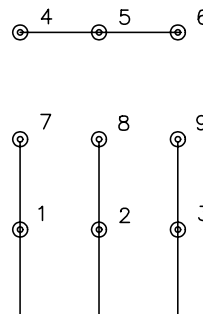
STD HORZ 182-4TC TEFC 36M W/ BRAKE

36LYE047

CD0005

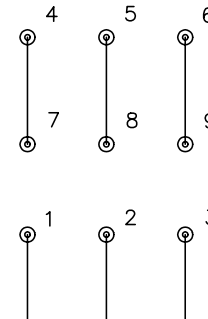


LOW VOLTAGE  
(2Y)



LINE

HIGH VOLTAGE  
(1Y)



LINE

NOTES:

1. INTERCHANGE ANY TWO LINE LEADS TO REVERSE ROTATION.
2. OPTIONAL THERMOSTATS ARE PROVIDED WHEN SPECIFIED.
3. ACTUAL NUMBER OF INTERNAL PARALLEL CIRCUITS MAY BE A MULTIPLE OF THOSE SHOWN ABOVE.
4. LEAD COLORS ARE OPTIONAL. LEADS MUST ALWAYS BE NUMBERED AS SHOWN.

REV. DESC: REVISE TO SHOW OPTIONAL COLORS			
REV. LTR: E	BY: JLP	REVISED: 01/19/99 10:15	TDR: 0171435
900000		FILE: AAA00005140	MDL: -
		MTL: -	

**BALDOR ELECTRIC Co.**

3PH, DV, 9 LEADS

CD0005