

# **BALDOR**® • ***RELIANCE***

## **Product Information Packet**

### **CBM3615T**

**5HP,1725RPM,3PH,60HZ,184TC,BRAKE,3634M**

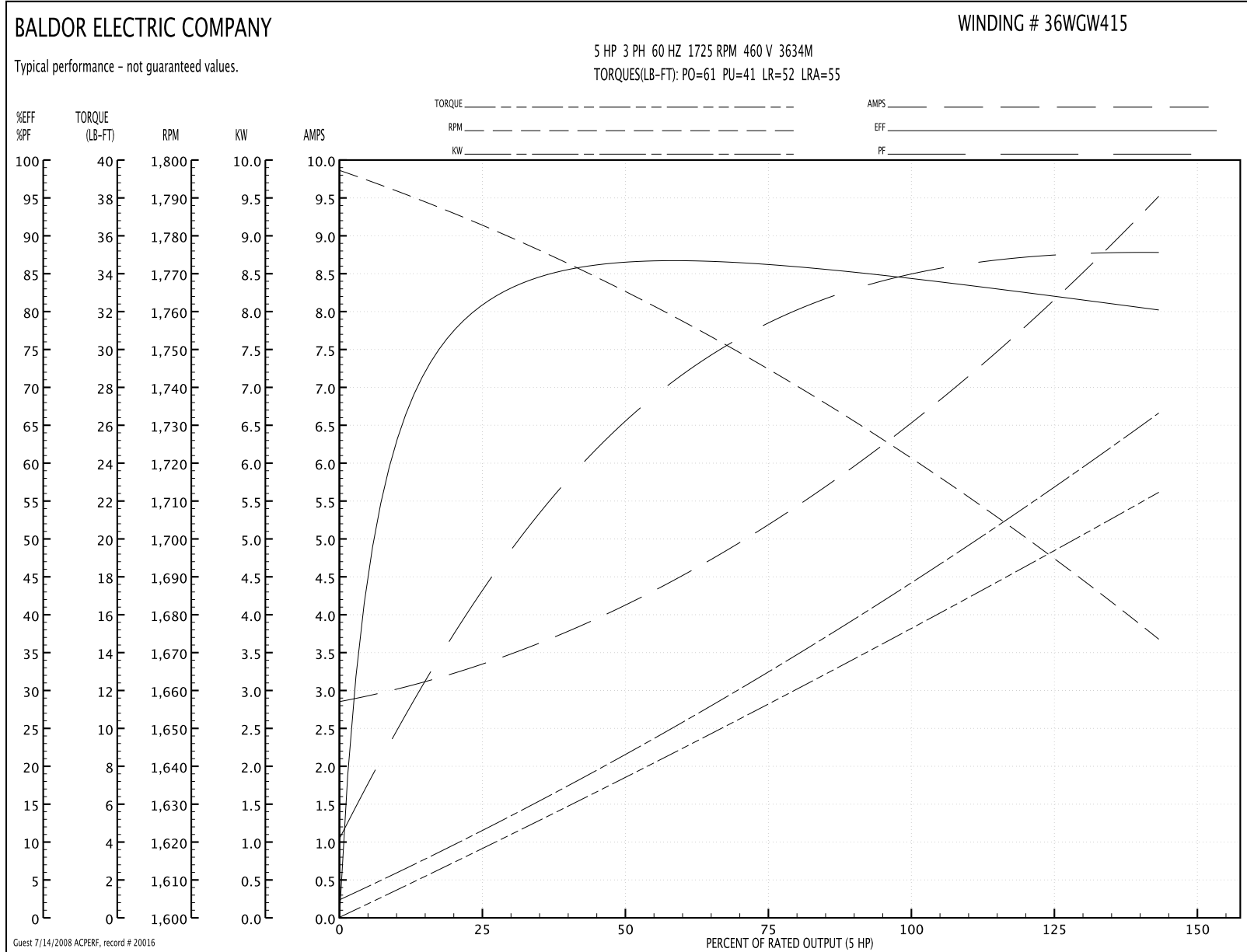
Product Detail							
Revision:	P	Status:	PRD/A	Change #:		Proprietary:	No
Type:	AC	Prod Type:	3634M	Elec. Spec:	36WGW415	CD Diagram:	CD0005
Enclosure	TEFC	Mfg Plant:		Mech Spec:	36E047	Layout:	36LYE047
Frame:	184TC	Mounting:	F1	Poles:	04	Created Date:	
Base:	RG	Rotation:	R	Insulation:	H	Eff. Date:	11-07-2007
Leads:	9#16					Replaced By:	
Nameplate NP1256L							
CAT.NO.	CBM3615T						
SPEC.	36E047W415G1						
HP	5						
VOLTS	208-230/460						
AMP	15-13.2/6.6						
RPM	1725						
FRAME	184TC	HZ	60	PH	3		
SER.F.	1.15	CODE	J	DES	B	CLASS	H
NEMA-NOM-EFF	85.5	PF	80				
RATING	40C AMB-CONT						
CC		USABLE AT 208V	15				
DE	6206	ODE	6205				
ENCL	TEFC	SN					

<b>Parts List</b>			
<b>Product ID</b>	<b>Description</b>	<b>Quantity</b>	<b>List Price</b>
SA064432	SA 36E047W415G1	1.000	1,151.00
RA058590	RA 36E047W415G1	1.000	1,001.00
36CB3004	36 CB CASTING W/1.09 DIA LEAD HOLE @ 6:0	1.000	19.00
36GS1000SP	GASKET-CONDUIT BOX, .06 THICK #SV-330 LE	1.000	5.00
51XB1016A08	10-16X 1/2HXWSSLD SERTYB	2.000	2.00
11XW1032G06	10-32 X .38, TAPTITE II, HEX WSHR SLTD U	1.000	2.00
HW3001A01	D3019 BRASS WASHER(STIMP)	1.000	2.00
36EP3306A04	FR ENDPLATE, MACH .281 FOR T-BOLT, W/O T	1.000	64.00
HW4500A01	1641B(ALEMITE)400 UNIV, GREASE FITT	1.000	2.00
HW5100A05	WVY WSHR F/205 & 304 BRGS	1.000	2.00
36EP3301A23	PU ENDPLATE, ENCL. 182-4TC 206 BRG. W/GR	1.000	145.00
HW4500A01	1641B(ALEMITE)400 UNIV, GREASE FITT	1.000	2.00
10XN2520A28	1/4-20X 1 3/4 HEX HD	4.000	2.00
HW1001A25	LOCKWASHER 1/4, ZINC PLT .493 OD, .255 I	4.000	2.00
BR1003A01	BRAKE RELEASE LEVER, 1 1/8 X1 5/16 SS ST	1.000	6.00
HW2501D08	KEY, 3/16 SQ X .875 AUTO	1.000	2.00
51XB1214A16	12-14X1.00 HXWSSLD SERTYB	1.000	2.00
HA1014A02SP	SPL SPACER FOR FAN COVER MTD ON BRAKE	3.000	13.00
51XN1032A07	10-32 X 0.438 HX WS SL SR ZN	3.000	2.00
35FH5000A08SP	FAN COVER ASSY FOR BRAKE MTRS,W/ AUTOPHE	1.000	46.00
51XW1032A06	10-32 X .38, TAPTITE II, HEX WSHR SLTD S	3.000	3.00
36CB4516	36 LIPPED CB LID	1.000	2.00
37GS1001SP	GASKET, CONDUIT BOX LID, .06 THICK LEXID	1.000	3.00
51XW0832A07	8-32 X .44, TAPTITE II, HEX WSHR SLTD SE	4.000	2.00

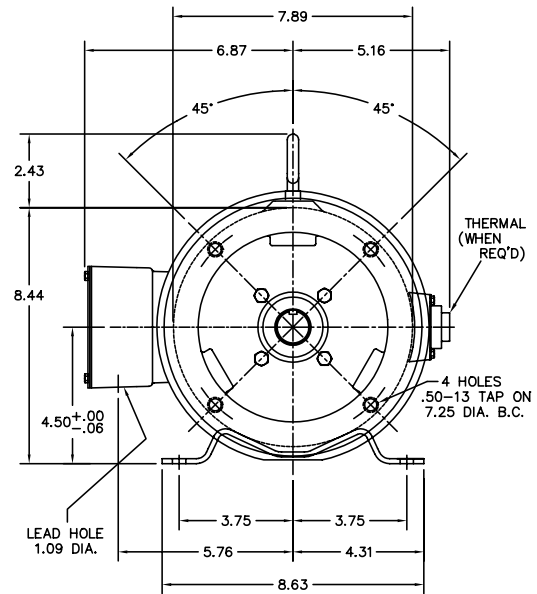
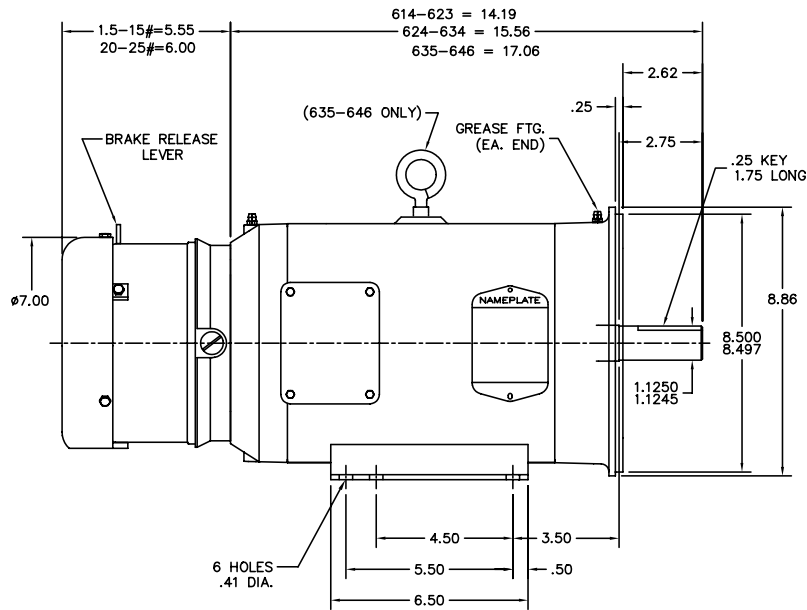
<b>Parts List (continued)</b>			
<b>Product ID</b>	<b>Description</b>	<b>Quantity</b>	<b>List Price</b>
HW2501E16	KEY, 1/4 SQ X 1.750	1.000	2.00
HA7000A02	KEY RETAINER RING, 1 1/8 DIA, 1 3/8 DIA	1.000	2.00
10XF0440S02	04-40 X 1/8 TYPE F HEX HD STAINLESS STIC	2.000	2.00
MJ1000A02	GREASE, POLYREX EM EXXON	0.050	10.00
35FN3002A05SP	EXTERNAL FAN, PLASTIC, FOR .637 DIA JOUR	1.000	22.00
MG1000G27	PAINT- S9282E CHARCOAL GREY	0.022	4,000.00
HA3101A26	THRUBOLT- 1/4-20 X 11.375	4.000	2.00
76BK6100DQF	1-056-061-00-DQF BRAKE TDR 96653	1.000	899.00
84XN3816J36	3/8-16X2-1/4 SOCK HD, BK OX	4.000	2.00
LB1125C01	STD (STOCK) CARTON LABEL BALDOR WITH FLA	1.000	2.00
LB1185	LABEL,BRAKE CONNECTION (ON ROLLS)	1.000	2.00
LC0005E01	CONN.DIA./WARNING LABEL (LC0005/LB1119)	1.000	2.00
NP1256L	NP STD LASER ENGRAVED, UL CSA CC, W/O TH	1.000	3.00
G0PA1000	PACKAGING GROUP	1.000	38.00

Performance Data at 460V, 60Hz, 5.0HP (Typical performance - Not guaranteed values)							
<b>General Characteristics</b>							
<b>Full Load Torque:</b>	15.0 LB-FT			<b>Start Configuration:</b>	DOL		
<b>No-Load Current:</b>	2.9 Amps			<b>Break-Down Torque:</b>	61.0 LB-FT		
<b>Line-line Res. @ 25°C.:</b>	2.97 Ohms A Ph / 0.0 Ohms B Ph			<b>Pull-Up Torque:</b>	41.0 LB-FT		
<b>Temp. Rise @ Rated Load:</b>	92°C			<b>Locked-Rotor Torque:</b>	52.0 LB-FT		
<b>Temp. Rise @ S.F. Load:</b>	110°C			<b>Starting Current:</b>	55.0 Amps		
<b>Load Characteristics</b>							
<b>% of Rated Load:</b>	<b>25</b>	<b>50</b>	<b>75</b>	<b>100</b>	<b>125</b>	<b>150</b>	<b>S.F.</b>
<b>Power Factor:</b>	47.0	69.0	80.0	86.0	88.0	90.0	87.0
<b>Efficiency:</b>	81.1	85.9	86.1	84.7	82.7	80.0	83.5
<b>Speed:</b>	1782.0	1764.0	1745.0	1723.0	1701.0	1672.0	1710.0
<b>Line Amperes:</b>	3.3	4.1	5.2	6.5	7.9	9.5	7.3

Performance Graph at 460V, 60Hz, 5.0HP (Typical performance - Not guaranteed values)



36LYE047



CUSTOMER IS RESPONSIBLE FOR DETERMINING THAT MOTOR PERFORMANCE IS SUITABLE IN THE APPLICATION.

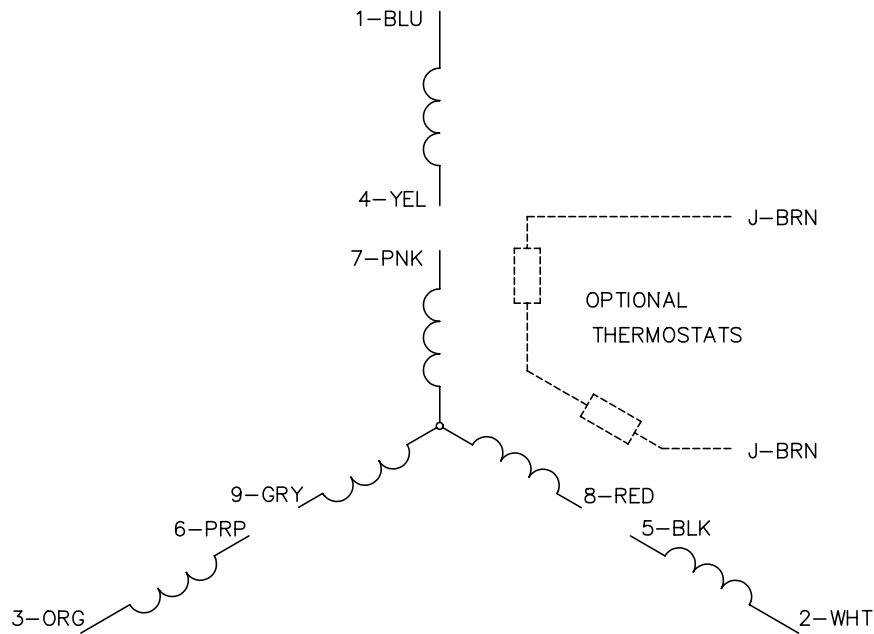
REV. DESC:	36EP3306A04 WAS 36EP1303A49
REV. LTR:	L BY: JMB REVISED: 08/04/00 10:46 TDR: 0214694
FILE:	AAA00003641 REF: -
MTL:	-

**BALDOR ELECTRIC Co.**

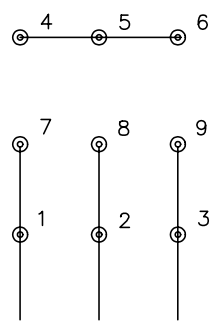
STD HORZ 182-4TC TEFC 36M W/ BRAKE

36LYE047

CD0005

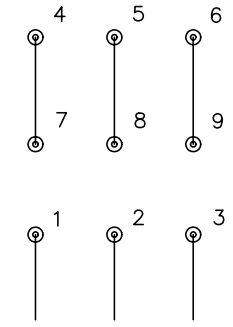


LOW VOLTAGE  
(2Y)



LINE

HIGH VOLTAGE  
(1Y)



LINE

NOTES:

1. INTERCHANGE ANY TWO LINE LEADS TO REVERSE ROTATION.
2. OPTIONAL THERMOSTATS ARE PROVIDED WHEN SPECIFIED.
3. ACTUAL NUMBER OF INTERNAL PARALLEL CIRCUITS MAY BE A MULTIPLE OF THOSE SHOWN ABOVE.
4. LEAD COLORS ARE OPTIONAL. LEADS MUST ALWAYS BE NUMBERED AS SHOWN.

REV. DESC: REVISE TO SHOW OPTIONAL COLORS			
REV. LTR: E	BY: JLP	REVISED: 01/19/99 10:15	TDR: 0171435
900000		FILE: AAA00005140	MDL: -
		MTL: -	

**BALDOR ELECTRIC Co.**

3PH, DV, 9 LEADS

CD0005