

BALDOR® • *RELIANCE*

Product Information Packet

GHM35060

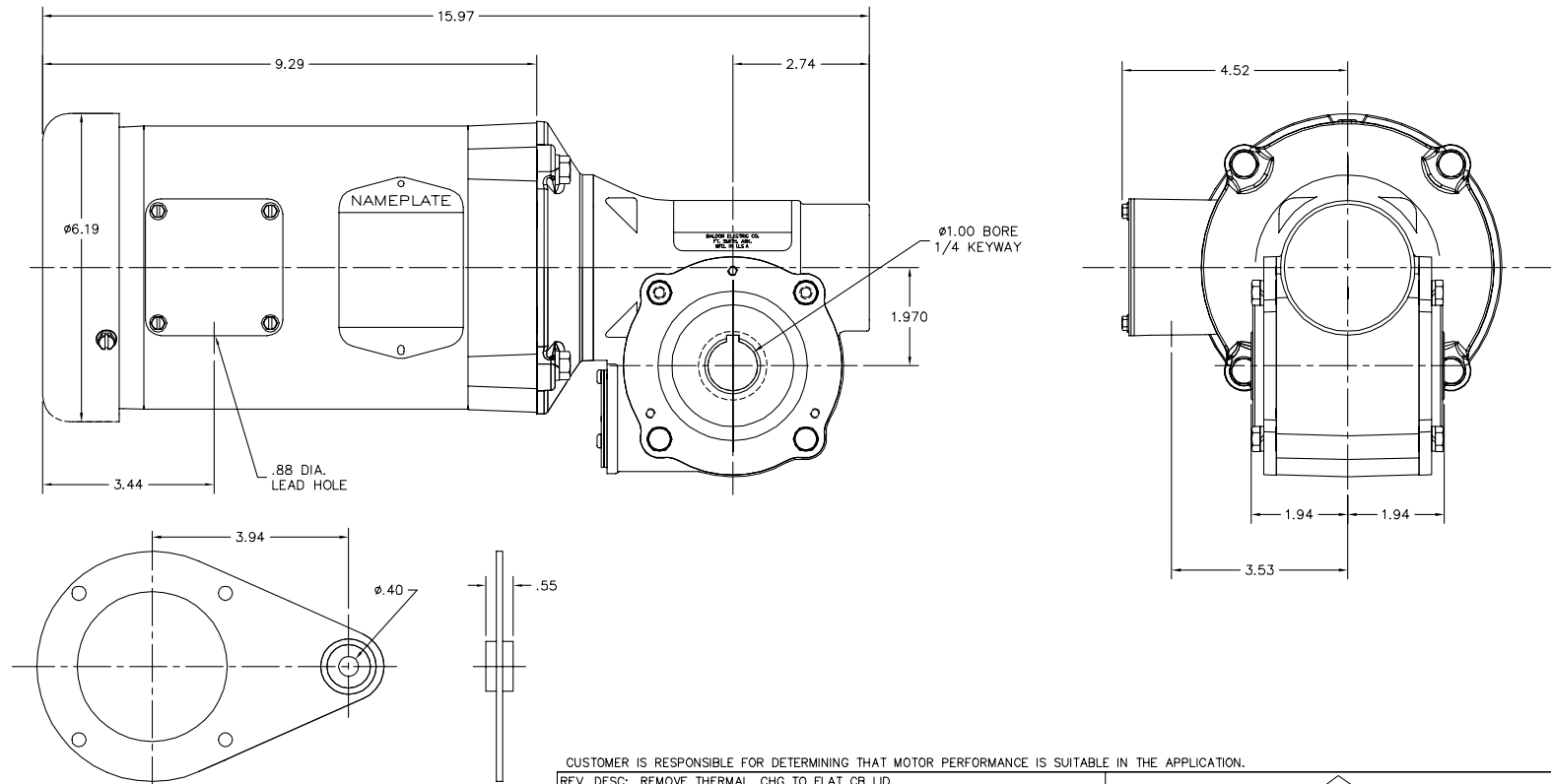
G.M. Q16PF 230/460VAC 60:1 29 RPM

| Product Detail | | | | | | | |
|---------------------|------|------------|-------|-------------|---|---------------|-------------|
| Revision: | J | Status: | PRD/A | Change #: | | Proprietary: | No |
| Type: | | Prod Type: | | Elec. Spec: | | CD Diagram: | |
| Enclosure | TEFC | Mfg Plant: | | Mech Spec: | | Layout: | 34A63-872K1 |
| Frame: | H | Mounting: | | Poles: | | Created Date: | |
| Base: | | Rotation: | R | Insulation: | B | Eff. Date: | 03-08-2007 |
| Leads: | 9#18 | | Y | | | Replaced By: | |
| Nameplate NP1416A17 | | | | | | | |
| INPUT H.P. | | | | .50 | | | |
| RATIO | | | | 60:1 | | | |
| TORQ/LI | | | | 600 | | | |
| CAT.NO. | | | | GHM35060 | | | |
| SPEC. | | | | 34A63-872K1 | | | |
| SER.NO | | | | DATE CODE | | | |

| Parts List | | | |
|-------------------|--|-----------------|-------------------|
| Product ID | Description | Quantity | List Price |
| SR001247 | SR 34A63-872K1 | 1.000 | 431.00 |
| VM3538 | .5HP,1725RPM,3PH,60HZ,56C,3416M,TEFC,F1 | 1.000 | 318.00 |
| 10XN3816A16 | 3/8-16 X 1 HEX HD CAP SCREW | 4.000 | 2.00 |
| HW1001A38 | LOCKWASHER 3/8, ZINC PLT .688 OD, .382 I | 4.000 | 2.00 |
| HG0070A01 | HSG,H HOL | 1.000 | 250.00 |
| HA1194B01 | BLADDER,CJK EXPANSION | 1.000 | 15.00 |
| 15XM0632A06 | SCREW, 6-32X .375, THREAD FORMING | 3.000 | 2.00 |
| HA4021A05 | 1/16 NPSF-HX SOC PIPE PLUG TAPER DRY SEA | 1.000 | 2.00 |
| HW5000A94 | N5000-206 RETAINER RING | 2.000 | 2.00 |
| HW4600C33 | SEAL 25X52X8MM NITRILE | 1.000 | 22.00 |
| WM0082A02 | WORM,H 60:1 RATIO, 5/8 BORE ASSEMBLY | 1.000 | 185.00 |
| BG6205C03 | 6205 D.SH,C3,POLYREX EM | 1.000 | 27.00 |
| HW5060A58 | RET RING 5160-98 WALDES FOR .984 OR 1.00 | 1.000 | 2.00 |
| GF0066A01 | FLG,H 56C | 1.000 | 122.00 |
| 10XN3118A16 | 5/16-18X1 HEX HD CAP | 4.000 | 2.00 |
| HW1001A31 | LOCKWASHER 5/16, ZINC PLT.591 OD, .319 I | 4.000 | 2.00 |
| HA3555A04 | EXPANSION PLUG 2.053/2.049 X 9/32 | 1.000 | 7.00 |
| BS0187A01 | BS,H HOL 6207 STD | 1.000 | 102.00 |
| HW4600C73 | METRIC SEAL 35/62/7 SINGLE LIP NITRILE C | 1.000 | 18.00 |
| 10XN2520A10 | 1/4-20X 5/8 HEX HD X | 4.000 | 2.00 |
| HW1001A25 | LOCKWASHER 1/4, ZINC PLT .493 OD, .255 I | 4.000 | 2.00 |
| BS0187A02 | BS,H HOL 6207 STD W/SNAP RING | 1.000 | 105.00 |
| BG6207A01 | 6207 OPEN,C3,SLUSH | 1.000 | 23.00 |
| HW5002A92 | RET RING N5002-281 (WALDES) BEVELED 2.81 | 1.000 | 9.00 |

| Parts List (continued) | | | |
|-------------------------------|--|-----------------|-------------------|
| Product ID | Description | Quantity | List Price |
| HA1241 | SHIM, .005 THICK PLASTIC FOR "H" BOX (B | 1.000 | 9.00 |
| HA1242 | SHIM, .010 THICK PLASTIC FOR "H" BOX (B | 2.000 | 10.00 |
| HW4600C73 | METRIC SEAL 35/62/7 SINGLE LIP NITRILE C | 1.000 | 18.00 |
| 10XN2520A10 | 1/4-20X 5/8 HEX HD X | 4.000 | 2.00 |
| HW1001A25 | LOCKWASHER 1/4, ZINC PLT .493 OD, .255 I | 4.000 | 2.00 |
| MJ5001A19 | LOCTITE #598 ULTRA BLACK, 50 LB PAIL, IT | 0.010 | 126.00 |
| MJ1000A90 | KLUBERSYNTH UH1-6-460 WORMGEAR OIL | 0.050 | 220.00 |
| MJ5004A35 | ADHESIVE LOCTITE #243-31 50 ML | 0.001 | |
| MG3000G01 | EPOXY POWDER, GREY CHARCOAL | 0.030 | 37.00 |
| NP1416A17 | NP,GM STD AD NONE V GEAR UNIT KLUBERSYNT | 1.000 | |
| MJ1000B01 | ANTISEIZE - ALTEMP Q NB 50, 750 GRAM CAN | 0.001 | 1,673.00 |
| G1PA1004 | PKG GRP, MOTOR & GEARBOX | 1.000 | 46.00 |
| PK3082 | STYROFOAB CRADLE | 1.000 | 2.00 |
| LB1172A01 | CUSTOM MTR CARTON LABEL LASER PRINTER | 1.000 | 2.00 |
| HW2513A11 | KEY .250 X 1.250 1018 STEEL | 1.000 | 2.00 |
| PK1182 | O.P.F. CARTON, OIL | 1.000 | 8.00 |
| HA3622A01K | TORQUE ARM, ASSEMBLY | 1.000 | 105.00 |
| HA6462A01 | COVER,MOLDED PLASTIC,25F CAMARDESE W/CUT | 1.000 | 8.00 |
| 15XN1032A04 | 10-32X1/4 PN HD PHIL MS | 3.000 | 2.00 |
| 10XN2520A12 | 1/4-20X 3/4 HEX HEAD CAP | 4.000 | 2.00 |
| HW1001A25 | LOCKWASHER 1/4, ZINC PLT .493 OD, .255 I | 4.000 | 2.00 |
| MP1009A01 | 4 X 4 ZIP POLYBAG, 2 MIL | 1.000 | 2.00 |
| LT0066A15 | H-BOX TORQUE ARM, ASSEMBLY INSTRUCTIONS | 1.000 | |

34A63-872K1



INCLUDED TORQUE ARM

CUSTOMER IS RESPONSIBLE FOR DETERMINING THAT MOTOR PERFORMANCE IS SUITABLE IN THE APPLICATION.

| | | |
|--|------------------------------|-------------------|
| REV. DESC: REMOVE THERMAL, CHG TO FLAT CB LID. | VERSION: 05 | TDR: 000000456871 |
| REV. LTR: E | REVISED: 13:24:35 02/19/2008 | BY: CKGLEHO |
| FILE: \CKA\00024\061 | | |
| MTL: - | | |

BALDOR • DODGE • RELIANCE

LY,34AC H TEFC

SH 1 of 1

34A63-872K1