

BALDOR® • RELIANCE

Product Information Packet

GHM37510

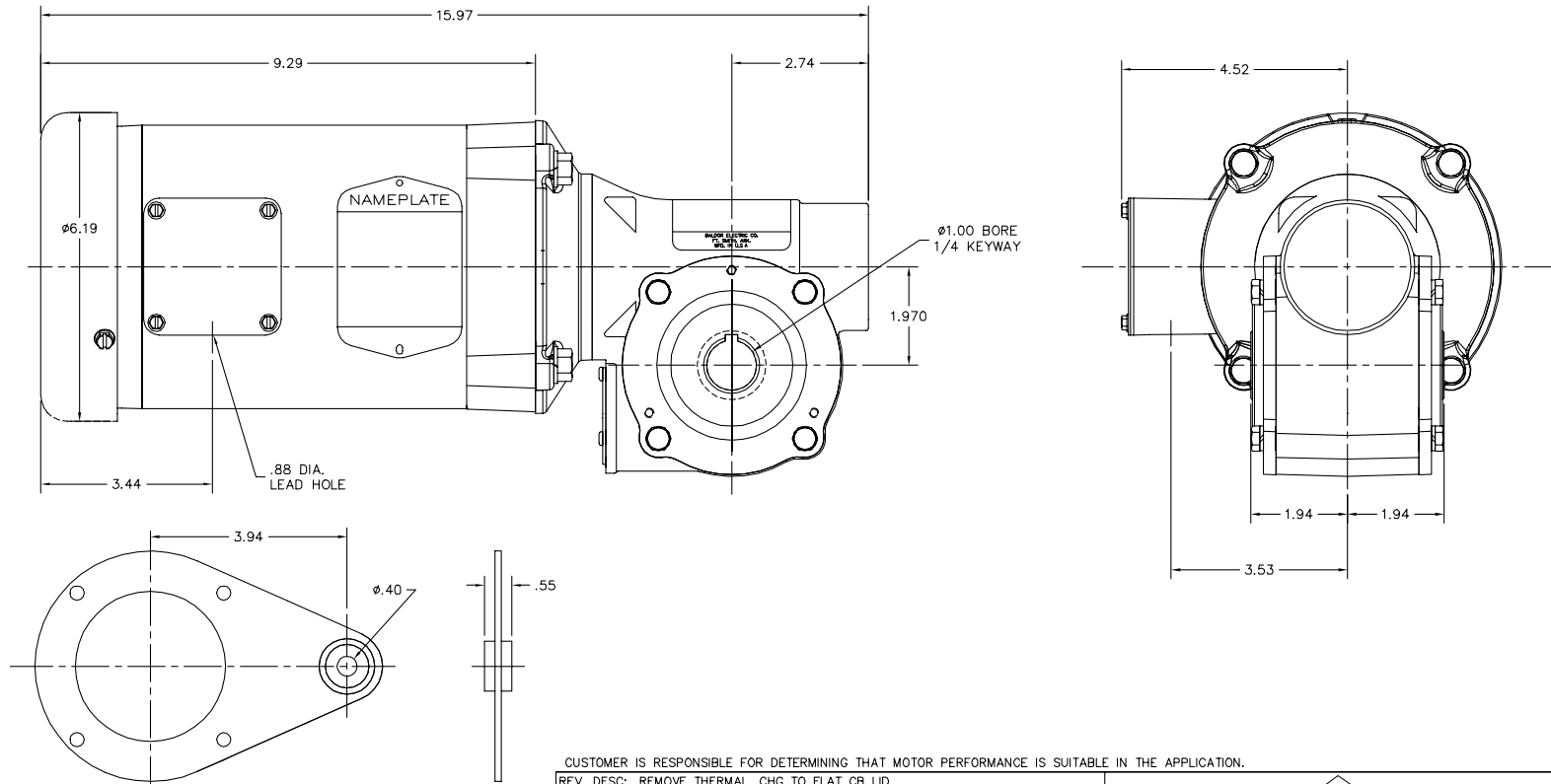
G.M. Q20PF 208-230/460VAC 10:1 175 RPM

Product Detail							
Revision:	F	Status:	PRD/A	Change #:		Proprietary:	No
Type:		Prod Type:		Elec. Spec:		CD Diagram:	
Enclosure	TEFC	Mfg Plant:		Mech Spec:		Layout:	34A63-883K3
Frame:	H	Mounting:		Poles:		Created Date:	
Base:		Rotation:	R	Insulation:	B	Eff. Date:	03-08-2007
Leads:	9#18		Y			Replaced By:	
Nameplate NP1416A17							
INPUT H.P.				.75			
RATIO				10:1			
TORQ/LI				230			
CAT.NO.				GHM37510			
SPEC.				34A63-883K3			
SER.NO				DATE CODE			

Parts List			
Product ID	Description	Quantity	List Price
SR001299	SR 34A63-883K3	1.000	431.00
VM3542	.75HP,1725RPM,3PH,60HZ,56C,3420M,TEFC,F1	1.000	338.00
10XN3816A16	3/8-16 X 1 HEX HD CAP SCREW	4.000	2.00
HW1001A38	LOCKWASHER 3/8, ZINC PLT .688 OD, .382 I	4.000	2.00
HG0070A01	HSG,H HOL	1.000	250.00
HA1194B01	BLADDER,CJK EXPANSION	1.000	15.00
15XM0632A06	SCREW, 6-32X .375, THREAD FORMING	3.000	2.00
HA4021A05	1/16 NPSF-HX SOC PIPE PLUG TAPER DRY SEA	1.000	2.00
HW5000A94	N5000-206 RETAINER RING	2.000	2.00
HW4600C33	SEAL 25X52X8MM NITRILE	1.000	22.00
WM0082A04	WORM,H 10:1 RATIO, 5/8 BORE ASSEMBLY	1.000	216.00
BG6205C03	6205 D.SH,C3,POLYREX EM	1.000	27.00
HW5060A58	RET RING 5160-98 WALDES FOR .984 OR 1.00	1.000	2.00
GF0066A01	FLG,H 56C	1.000	122.00
10XN3118A16	5/16-18X1 HEX HD CAP	4.000	2.00
HW1001A31	LOCKWASHER 5/16, ZINC PLT.591 OD, .319 I	4.000	2.00
HA3555A04	EXPANSION PLUG 2.053/2.049 X 9/32	1.000	7.00
BS0187A01	BS,H HOL 6207 STD	1.000	102.00
HW4600C73	METRIC SEAL 35/62/7 SINGLE LIP NITRILE C	1.000	18.00
10XN2520A10	1/4-20X 5/8 HEX HD X	4.000	2.00
HW1001A25	LOCKWASHER 1/4, ZINC PLT .493 OD, .255 I	4.000	2.00
BS0187A02	BS,H HOL 6207 STD W/SNAP RING	1.000	105.00
BG6207A01	6207 OPEN,C3,SLUSH	1.000	23.00
HW5002A92	RET RING N5002-281 (WALDES) BEVELED 2.81	1.000	9.00

Parts List (continued)			
Product ID	Description	Quantity	List Price
HA1241	SHIM, .005 THICK PLASTIC FOR "H" BOX (B	1.000	9.00
HA1242	SHIM, .010 THICK PLASTIC FOR "H" BOX (B	2.000	10.00
HW4600C73	METRIC SEAL 35/62/7 SINGLE LIP NITRILE C	1.000	18.00
10XN2520A10	1/4-20X 5/8 HEX HD X	4.000	2.00
HW1001A25	LOCKWASHER 1/4, ZINC PLT .493 OD, .255 I	4.000	2.00
MJ1000A90	KLUBERSYNTH UH1-6-460 WORMGEAR OIL	0.050	220.00
MG3000G01	EPOXY POWDER, GREY CHARCOAL	0.030	37.00
NP1416A17	NP,GM STD AD NONE V GEAR UNIT KLUBERSYNT	1.000	
MJ1000A59	FEL-PRO C5-A ANTI-SEIZE LUBRICANT 4OZ TU	0.010	48.00
G1PA1004	PKG GRP, MOTOR & GEARBOX	1.000	46.00
PK3082	STYROFOAB CRADLE	1.000	2.00
LB1172A01	CUSTOM MTR CARTON LABEL LASER PRINTER	1.000	2.00
HW2513A11	KEY .250 X 1.250 1018 STEEL	1.000	2.00
PK1182	O.P.F. CARTON, OIL	1.000	8.00
HA3622A01K	TORQUE ARM, ASSEMBLY	1.000	105.00
HA6462A01	COVER,MOLDED PLASTIC,25F CAMARDESE W/CUT	1.000	8.00
15XN1032A04	10-32X1/4 PN HD PHIL MS	3.000	2.00
10XN2520A12	1/4-20X 3/4 HEX HEAD CAP	4.000	2.00
HW1001A25	LOCKWASHER 1/4, ZINC PLT .493 OD, .255 I	4.000	2.00
MP1009A01	4 X 4 ZIP POLYBAG, 2 MIL	1.000	2.00
LT0066A15	H-BOX TORQUE ARM, ASSEMBLY INSTRUCTIONS	1.000	

34A63-883K3



INCLUDED TORQUE ARM

CUSTOMER IS RESPONSIBLE FOR DETERMINING THAT MOTOR PERFORMANCE IS SUITABLE IN THE APPLICATION.

REV. DESC: REMOVE THERMAL, CHG TO FLAT CB LID.		
REV. LTR: D	VERSION: 04	TDR: 000000456871
FILE: \CKA\00024\936	REVISED: 11:52:44 02/18/2008	BY: CKGLEHO
MTL: -		

BALDOR • DODGE • RELIANCE
 LY,34AC H TEFC
 SH 1 of 1

34A63-883K3