

BALDOR® • RELIANCE

Product Information Packet

GM2501

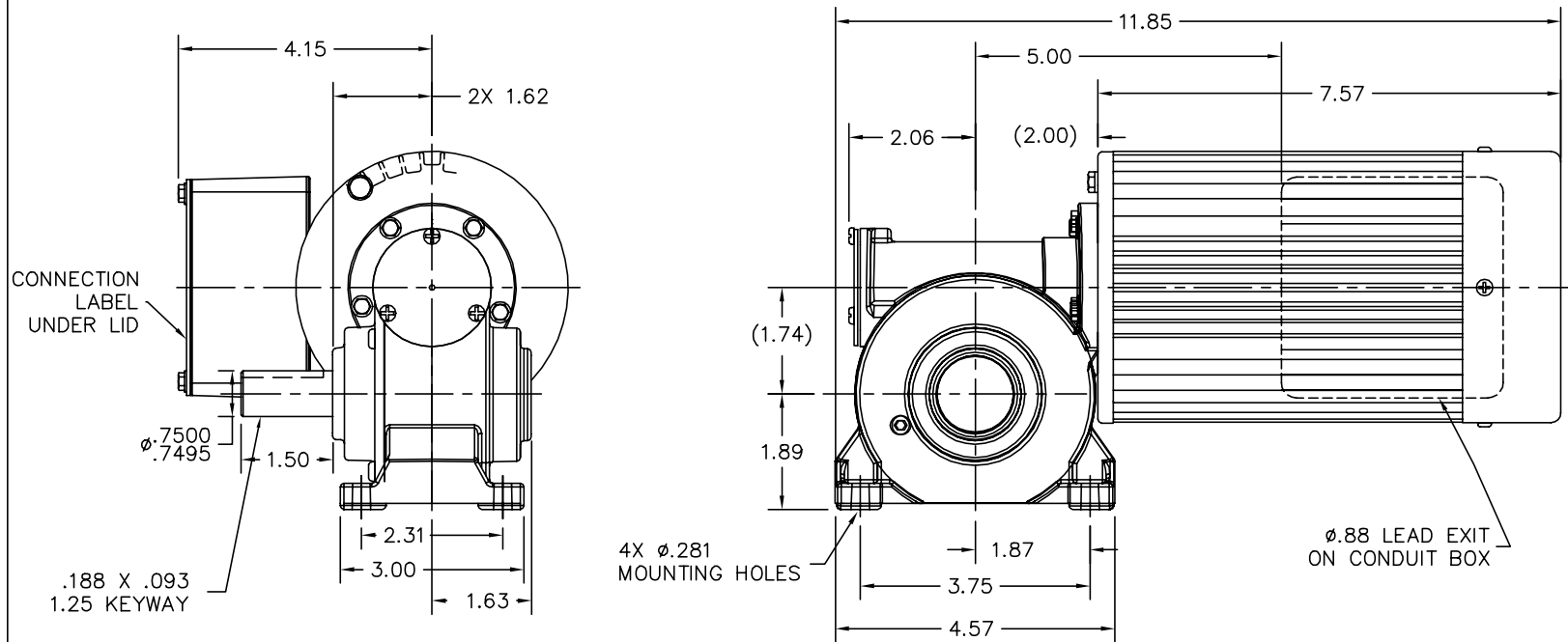
G.M. K24JF 208-230/460V 10:1 170 RPM

| Product Detail | | | | | | | |
|---------------------|---------------|------------|-------------|-------------|----------|---------------|--------------|
| Revision: | S | Status: | PRD/A | Change #: | | Proprietary: | No |
| Type: | AC | Prod Type: | 2524M | Elec. Spec: | 25WGW347 | CD Diagram: | CD0005A05 |
| Enclosure | TEFC | Mfg Plant: | | Mech Spec: | | Layout: | 25E569W347G4 |
| Frame: | JH | Mounting: | | Poles: | 04 | Created Date: | |
| Base: | | Rotation: | R | Insulation: | F | Eff. Date: | 12-05-2007 |
| Leads: | 9#18 | | | | | Replaced By: | |
| Nameplate NP1416A03 | | | | | | | |
| CAT.NO. | GM2501 | SER.NO | DATE CODE | | | | |
| SPEC. | 25E569W347G4 | | | | | | |
| HP | .3 TE | VOLTS | 208-230/460 | | | | |
| AMP | 1.32-1.38/.67 | HZ | 60 | | | | |
| PH | 3 | CAP | | CODE | - | CLASS | F |
| SER.F. | 1.00 | SF AMP | | AMB. | 40C | | |
| DUTY | CONT | R.P.M. | 168 | | | | |
| TORQ/IN LB | 90 | RATIO | 10:1 | | | | |
| APRV-CSA | | APRV-UL | | | | | |

| Parts List | | | |
|-------------------|--|-----------------|-------------------|
| Product ID | Description | Quantity | List Price |
| SA114277 | SA 25E569W347G4 | 1.000 | 380.00 |
| RA105416 | RA 25E569W347G4 | 1.000 | 317.00 |
| SR001275 | SR 25E569W347G4 | 1.000 | 214.00 |
| LC0005E01 | CONN.DIA./WARNING LABEL (LC0005/LB1119) | 1.000 | 2.00 |
| 25EP2108A33 | EP,25AC DE CL 60R8 RA 4.054 BC FOR J BO | 1.000 | 87.00 |
| RM1057 | RUBBER SQUARE RING 1.424 I.D. | 1.000 | 2.00 |
| MJ5019A01 | ADHESIVE LOCTITE #680 WAS BAD4525 | 0.010 | 276.00 |
| WM0055A16 | WORM,JH 10.0 INP PINNED ON (918 GEOME | 1.000 | 89.00 |
| 25EP2113A15 | EP,25AC ODE GP EXR TEFC 10-32 EXT THRUBO | 1.000 | 62.00 |
| 55XT0632G03 | 6-32 X 0.187 RD HD PHILLIPS, SERRATED | 1.000 | 2.00 |
| HW5109A08 | WASHER, WAVE SPRING FOR 30MM BORE SMALLE | 1.000 | 3.00 |
| 25FH4006-PA | FAN COVER, 25F PAINTED | 1.000 | 23.00 |
| BFN3712 | FAN,PM MOTOR STYLE R | 1.000 | 19.00 |
| 15XN1032A06 | SCREW PAN HD 10-32 X 3/8 (PHILLIPS) | 3.000 | 2.00 |
| HW1003A10 | WASHER, #10 EX TH LK, ZN X | 2.000 | 2.00 |
| HA3100A29 | THRUBOLT 10-32 X 7.00 | 2.000 | 4.00 |
| CB0100B01 | CB,EXR 25 .88 LEAD EXIT F1 POSITION | 1.000 | 41.00 |
| GS0120 | GASKET,CONDUIT BOX FOR CB2000A17 | 1.000 | 2.00 |
| 15XN0832A08 | SCREW PAN HD 08-32 X 1/2 (PHILLIPS) | 2.000 | 2.00 |
| CB0103A00-PA | CB0103A00 PAINTED | 1.000 | 4.00 |
| GS0121A01 | GASKET, LID FOR CB0100B00 | 1.000 | 3.00 |
| 15XM0832A06 | SCREW, 8-32X .375, THREAD FORMING | 4.000 | 2.00 |
| HG0039A04 | HSG,JK EX CLOSED | 1.000 | 61.00 |
| 15XM0832A06 | SCREW, 8-32X .375, THREAD FORMING | 4.000 | 2.00 |

| Parts List (continued) | | | |
|-------------------------------|--|-----------------|-------------------|
| Product ID | Description | Quantity | List Price |
| HA4021A05 | 1/16 NPSF-HX SOC PIPE PLUG TAPER DRY SEA | 1.000 | 2.00 |
| HA1194B01 | BLADDER,CJK EXPANSION | 1.000 | 15.00 |
| 15XM0632A06 | SCREW, 6-32X .375, THREAD FORMING | 3.000 | 2.00 |
| 19XN1032A12 | SCREW, HEX WASHER HEAD, #10-32 X .750 | 4.000 | 2.00 |
| BS0114A01 | BS,JH OP 6204STD OPEN | 1.000 | 34.00 |
| HW4600D39 | SEAL, .750 X 1.250 X .250 SINGLE | 1.000 | 2.00 |
| HW5002A57 | WALDES N5002-187 BEVELED 1.850 | 1.000 | 3.00 |
| HW4600D39 | SEAL, .750 X 1.250 X .250 SINGLE | 1.000 | 2.00 |
| HW5109A10 | WASHER, WAVE SPRING FOR 47MM BORE SMALLE | 1.000 | 2.00 |
| RM1020A21 | O-RING,3.240 I.D. X .052 BUNA (PGS) BGA4 | 1.000 | 2.00 |
| HW2501D10 | KEY, 3/16 SQ X 1.000 | 1.000 | 2.00 |
| BMH4712 | KEY LOCKING RING 3/4" | 1.000 | 2.00 |
| MJ1000B02 | KLUBERSYNTH GH6-460 GEAR OIL | 0.030 | 215.00 |
| MG3000G01 | EPOXY POWDER, GREY CHARCOAL | 0.010 | 37.00 |
| NP1416A03 | NP,AC STD AD NONE V CSA UL GEAR MOTOR | 1.000 | |
| LB5040 | INSTRUCTION TAG, AC & DC | 1.000 | 2.00 |
| CPA1000 | PACKING GROUP STD. SINGLE | 1.000 | 7.00 |
| LB1172A01 | CUSTOM MTR CARTON LABEL LASER PRINTER | 1.000 | 2.00 |
| PK3090 | 2" X 7 1/8 X 6 1/2" CRADLE VIN#1665500 | 1.000 | 2.00 |

25E569W347G4



CUSTOMER IS RESPONSIBLE FOR DETERMINING THAT MOTOR PERFORMANCE IS SUITABLE IN THE APPLICATION.

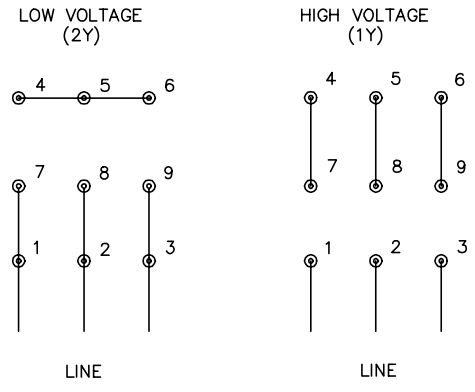
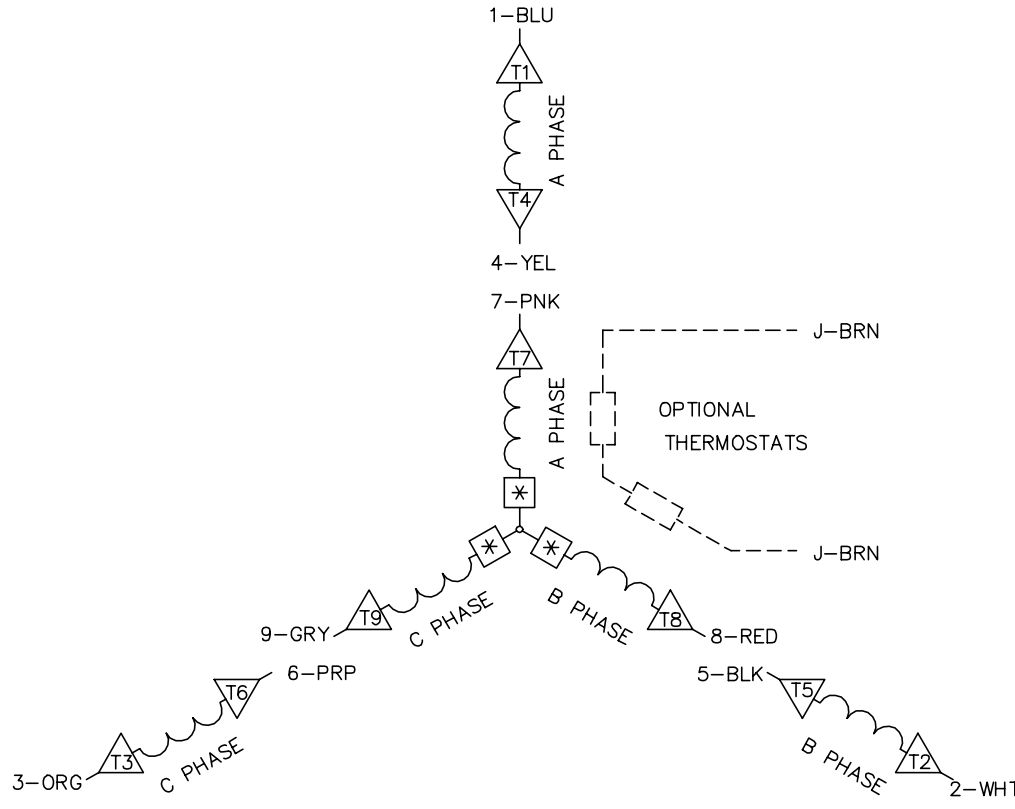
| | | |
|--|----------------------|------------------------------|
| REV. DESC: CORRECT VIEW OF SCREW HEADS | | |
| REV. LTR: D | VERSION: 04 | TDR: 000000388077 |
| 25E569W347G4 | FILE: \CKA\00024\727 | REVISED: 15:08:01 02/07/2006 |
| | MTL: - | BY: CKRONSO |

BALDOR ELECTRIC Co.

LY,25AC JH EXR TEFC 918 GEARING

25E569W347G4

CD0005A05



- NOTES:
1. INTERCHANGE ANY TWO LINE LEADS TO REVERSE ROTATION.
 2. OPTIONAL THERMOSTATS ARE PROVIDED WHEN SPECIFIED.
 3. ACTUAL NUMBER OF INTERNAL PARALLEL CIRCUITS MAY BE A MULTIPLE OF THOSE SHOWN ABOVE.
 4. LEAD COLORS ARE OPTIONAL. LEADS MUST ALWAYS BE NUMBERED AS SHOWN.
 5. =MAGNET WIRE COIL END WITH I.D. NUMBER.
 6. =MAGNET WIRE COIL END WITH I.D. SYMBOL.
 7. SEE CW PRINT FOR NEST TO NEST CROSSOVER CONNECTIONS.

| | | | |
|--------------------------|----------------------|------------------------------|--|
| REV. DESC: ADD NEST NOTE | | | |
| REV. LTR: C | VERSION: 03 | TDR: 000000445597 | |
| CD0005A05 | FILE: \CKA\00024\847 | REVISED: 12:51:06 11/15/2007 | |
| | MTL: - | BY: CKMICRO | |

BALDOR • DODGE • RELIANCE

3PH, DV, 9 LEADS, CK

CD0005A05