

# **BALDOR**® • *RELIANCE*

## **Product Information Packet**

# **GM25016**

**G.M. K16EA 208-230/460V AC DA 150:1**

Product Detail							
Revision:	M	Status:	PRD/A	Change #:		Proprietary:	No
Type:	AC	Prod Type:	2516M	Elec. Spec:	25WGW019	CD Diagram:	CD0005A05
Enclosure	TENV	Mfg Plant:		Mech Spec:		Layout:	25E654W019G1
Frame:	EB	Mounting:		Poles:	04	Created Date:	03-17-2005
Base:		Rotation:	R	Insulation:	F	Eff. Date:	06-18-2008
Leads:	9#18					Replaced By:	

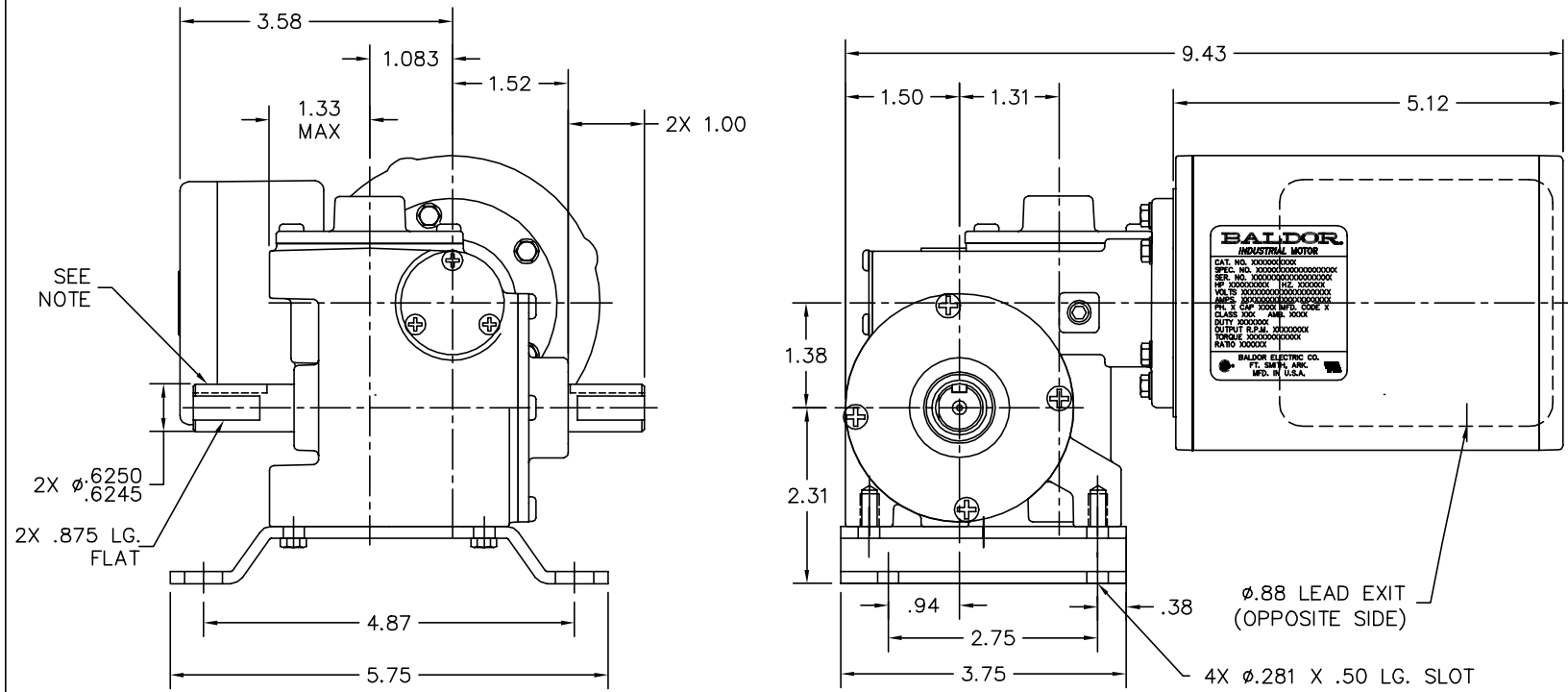
**Nameplate NP1784A04**

CAT.NO.	GM25016						
SPEC.	25E654W019G1						
SER.NO							
HP	.08 TE	HZ	60				
VOLTS	208-230/460						
AMP	.48-.52/.25						
PH	3	CAP		CODE	-		
CLASS	F	AMB.	40C				
DUTY	CONT						
R.P.M.	11.3						
TORQ/IN LB	125						
RATIO	150:1	APRV-CSA		APRV-UL			

<b>Parts List</b>			
<b>Product ID</b>	<b>Description</b>	<b>Quantity</b>	<b>List Price</b>
SA126416	SA 25E654W019G1	1.000	320.00
RA116725	RA 25E654W019G1	1.000	267.00
SR001497	SR 25E654W019G1	1.000	129.00
WR000351	WR 25E654W019G1	1.000	195.00
LC0005	CONN.DIA.,TYPE M,9-LD,DUAL VOLTAGE,REVER	1.000	2.00
25EP3100A16	EP,25AC DE CL 60R8 RA 2.375 BC	1.000	52.00
HW5002A45	WALDES TRUARC N5002-118 RETAINING RING	1.000	4.00
HW4600E07	SEAL,TRANSCOM #05112ASCW .500 X 1.125 X	1.000	2.00
WM0038A02	WORM,BE 10.0 INP 1.083 C.D.	1.000	42.00
HW3082B05	5/64 X 1/2 GROOVE PIN TYPE A,THRU HARDEN	1.000	2.00
MJ5019A01	ADHESIVE LOCTITE #680 WAS BAD4525	0.001	276.00
24CB3000A	CONDUIT BOX - MODEL 24 KENCO	1.000	7.00
24CB3500A	CONDUIT BOX LID - MODEL 24 W/ LOGO KENCO	1.000	7.00
XY0632A04	NUT, #6-32 ACORN, HIGH CROWN	1.000	2.00
XY0632A05	NUT, #6-32 SELF LOCKING	1.000	2.00
15XP0619A08	#6-19X1/2 PAN HD PHILLIPS PLASTITE 48-2	4.000	2.00
25EP2101A12	EP,25AC ODE CL NONE	1.000	41.00
HW5109A08	WASHER, WAVE SPRING FOR 30MM BORE SMALLE	1.000	3.00
51XT0832G05	SCREW,HEX HD 8-32 X 5/16 GRN.	1.000	
HA3170A21	THRUBOLT,FLAT HD. #8-32 THDS X 5.000 LON	2.000	3.00
HG0062A08G	HSG,EB EX OPEN .720 OUTPUT 4 HOLE M	1.000	176.00
RM1057	RUBBER SQUARE RING 1.424 I.D.	1.000	2.00
BH1104	BRG-SLEEVE, .500 ID X .500 WIDE	1.000	15.00
BH1168A01	BRG-SLEEVE, .625 ID X .625 WIDE	1.000	3.00

<b>Parts List (continued)</b>			
<b>Product ID</b>	<b>Description</b>	<b>Quantity</b>	<b>List Price</b>
HA4021A05	1/16 NPSF-HX SOC PIPE PLUG TAPER DRY SEA	1.000	2.00
HW4600D29	SEAL, TCM #060871SC-G (.625" X .875"	1.000	12.00
HA1194B02	BLADDER,BDE EXPANSION	1.000	14.00
15XM0632A06	SCREW, 6-32X .375, THREAD FORMING	3.000	2.00
19XN1032A12	SCREW, HEX WASHER HEAD, #10-32 X .750	4.000	2.00
BCG5491-001	HSG,B CAP STD CLOSED	1.000	16.00
BH1104	BRG-SLEEVE, .500 ID X .500 WIDE	1.000	15.00
15XM0832A08	SCREW, 8-32X .500, THREAD FORMING	3.000	2.00
RM1078	RUBBER SQUARE RING 1.864 I.D.	1.000	2.00
BH1168A01	BRG-SLEEVE, .625 ID X .625 WIDE	1.000	3.00
HW4600D29	SEAL, TCM #060871SC-G (.625" X .875"	1.000	12.00
15XM0832A08	SCREW, 8-32X .500, THREAD FORMING	4.000	2.00
RM1098A02	RUBBER SQUARE RING TS-000-036 2.375 I.D.	1.000	2.00
BCG1120-004G	CAP, "E" BOX	1.000	25.00
HW2502D06	KEY, 3/16 SQ X .750 303SS	2.000	4.00
HA7000A04	KEY RETAINER 0.625 DIA SHAFTS	2.000	2.00
MJ1000A51	MOBILITH SHC007 WORM GEAR LUBE BLU4968	0.260	16.00
25BA4001-PA	25BA4001-PAINTED	1.000	21.00
10XN2520A08	1/4-20X1/2 HEX HEAD CAP	4.000	2.00
HW1001A25	LOCKWASHER 1/4, ZINC PLT .493 OD, .255 I	4.000	2.00
MG3000G01	EPOXY POWDER, GREY CHARCOAL	0.030	37.00
NP1784A04	NP,AC STD AD NONE V CSA UL GEAR MOTOR	1.000	
CPA1000	PACKING GROUP STD. SINGLE	1.000	7.00
LB1172A01	CUSTOM MTR CARTON LABEL LASER PRINTER	1.000	2.00

25E654W019G1



NOTE:  
KEYWAYS: .188 X .094 X .875 LG.

CUSTOMER IS RESPONSIBLE FOR DETERMINING THAT MOTOR PERFORMANCE IS SUITABLE IN THE APPLICATION.

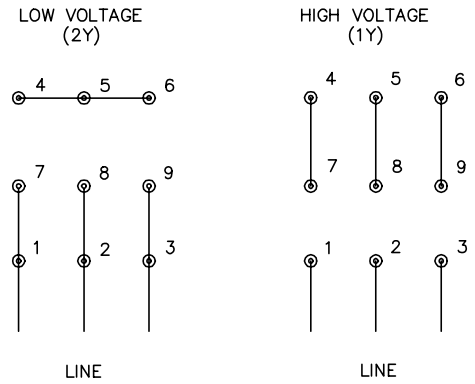
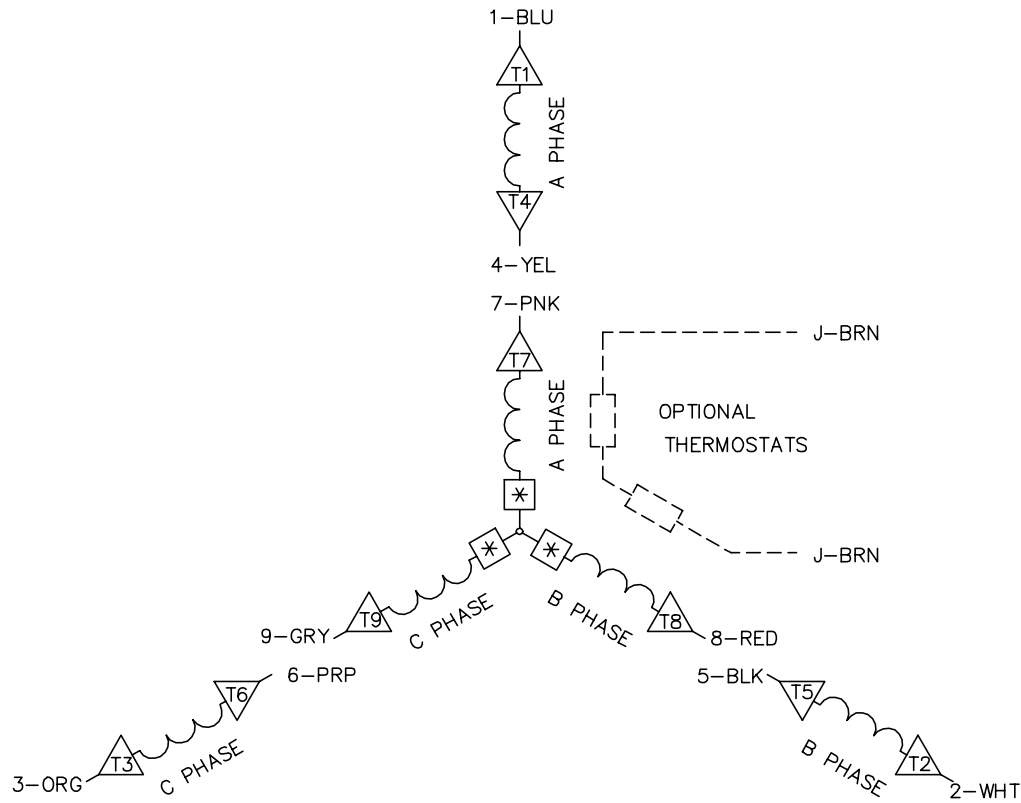
REV. DESC: CORRECT SHAFT DIM LENGTH		
REV. LTR: A	VERSION: 01	TDR: 000000390630
19610M40M19G1	FILE: \CKA\00027\062	REVISED: 14:10:23 03/07/2006
	MTL: -	BY: CKRONSO

**BALDOR ELECTRIC Co.**

LY,25AC EB RSB TENV W\BASE

25E654W019G1

CD0005A05



- NOTES:
1. INTERCHANGE ANY TWO LINE LEADS TO REVERSE ROTATION.
  2. OPTIONAL THERMOSTATS ARE PROVIDED WHEN SPECIFIED.
  3. ACTUAL NUMBER OF INTERNAL PARALLEL CIRCUITS MAY BE A MULTIPLE OF THOSE SHOWN ABOVE.
  4. LEAD COLORS ARE OPTIONAL. LEADS MUST ALWAYS BE NUMBERED AS SHOWN.
  5. =MAGNET WIRE COIL END WITH I.D. NUMBER.
  6. =MAGNET WIRE COIL END WITH I.D. SYMBOL.
  7. SEE CW PRINT FOR NEST TO NEST CROSSOVER CONNECTIONS.

REV. DESC: ADD NEST NOTE			
REV. LTR: C	VERSION: 03	TDR: 000000445597	
CD0005A05	FILE: \CKA\00024\847	REVISED: 12:51:06 11/15/2007	
	MTL: -	BY: CKMICRO	

**BALDOR • DODGE • RELIANCE**

3PH, DV, 9 LEADS, CK

CD0005A05