

BALDOR® • *RELIANCE*

Product Information Packet

GM25021

G.M. K16EA 208-230/460V AC 1200:1

Product Detail							
Revision:	L	Status:	PRD/A	Change #:		Proprietary:	No
Type:	AC	Prod Type:	2516M	Elec. Spec:	25WGW019	CD Diagram:	CD0005A05
Enclosure	TENV	Mfg Plant:		Mech Spec:		Layout:	25E654W019G2
Frame:	EB	Mounting:		Poles:	04	Created Date:	04-28-2005
Base:		Rotation:	R	Insulation:	F	Eff. Date:	09-16-2008
Leads:	9#18					Replaced By:	

Nameplate NP1784A04

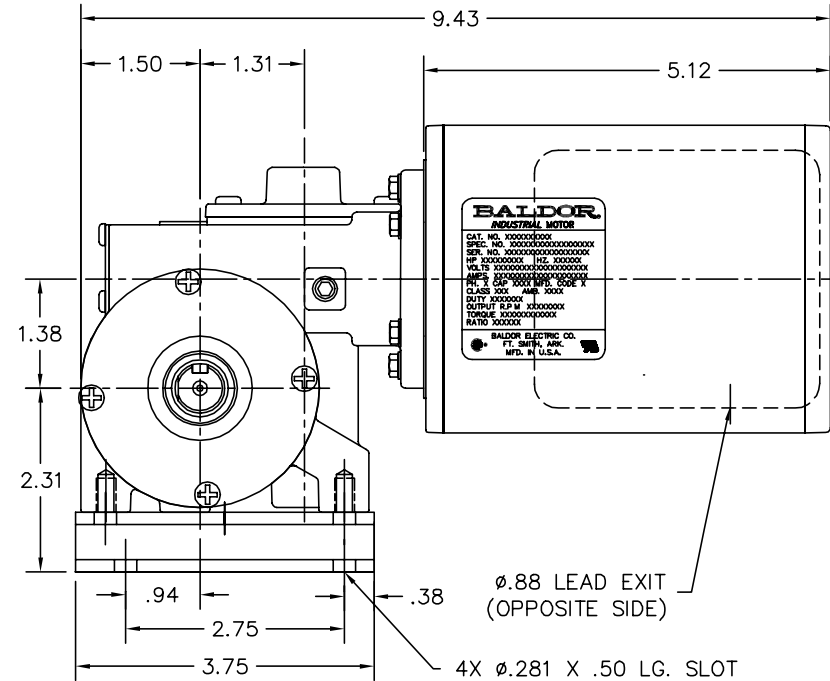
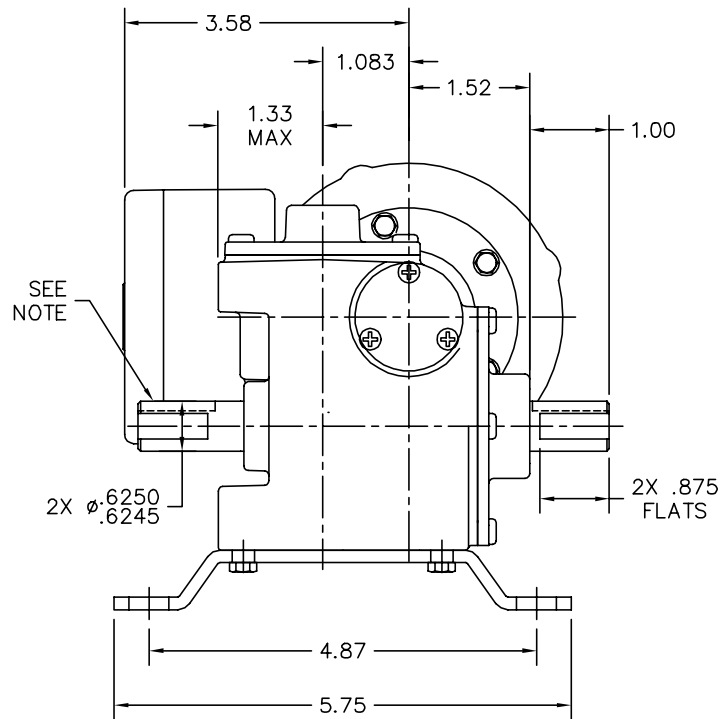
CAT.NO.	GM25021						
SPEC.	25E654W019G2						
SER.NO							
HP	.08 TE	HZ	60				
VOLTS	208-230/460						
AMP	.48-.52/.25						
PH	3	CAP		CODE	-		
CLASS	F	AMB.	40C				
DUTY	CONT						
R.P.M.	1.5						
TORQ/IN LB	175						
RATIO	1200:1	APRV-CSA		APRV-UL			

Parts List			
Product ID	Description	Quantity	List Price
SA128376	SA 25E654W019G2	1.000	320.00
RA118543	RA 25E654W019G2	1.000	267.00
SR001542	SR 25E654W019G2	1.000	107.00
WR000354	WR 25E654W019G2	1.000	143.00
LC0005	CONN.DIA.,TYPE M,9-LD,DUAL VOLTAGE,REVER	1.000	2.00
25EP3100A16	EP,25AC DE CL 60R8 RA 2.375 BC	1.000	52.00
HW5002A45	WALDES TRUARC N5002-118 RETAINING RING	1.000	4.00
HW4600E07	SEAL,TRANSCOM #05112ASCW .500 X 1.125 X	1.000	2.00
WM0038A09	WORM,BE 50.0 INP 1.083 C.D.	1.000	42.00
HW3082B05	5/64 X 1/2 GROOVE PIN TYPE A,THRU HARDEN	1.000	2.00
MJ5019A01	ADHESIVE LOCTITE #680 WAS BAD4525	0.001	276.00
24CB3000A	CONDUIT BOX - MODEL 24 KENCO	1.000	7.00
XY0632A04	NUT, #6-32 ACORN, HIGH CROWN	1.000	2.00
XY0632A05	NUT, #6-32 SELF LOCKING	2.000	2.00
24CB3500A	CONDUIT BOX LID - MODEL 24 W/ LOGO KENCO	1.000	7.00
15XP0619A08	#6-19X1/2 PAN HD PHILLIPS PLASTITE 48-2	4.000	2.00
25EP2101A12	EP,25AC ODE CL NONE	1.000	41.00
HW5109A08	WASHER, WAVE SPRING FOR 30MM BORE SMALLE	1.000	3.00
51XT0832G05	SCREW,HEX HD 8-32 X 5/16 GRN.	1.000	
HA3170A21	THRUBOLT,FLAT HD. #8-32 THDS X 5.000 LON	2.000	3.00
HG0062A08G	HSG,EB EX OPEN .720 OUTPUT 4 HOLE M	1.000	176.00
RM1057	RUBBER SQUARE RING 1.424 I.D.	1.000	2.00
BH1104	BRG-SLEEVE, .500 ID X .500 WIDE	1.000	15.00
BH1168A01	BRG-SLEEVE, .625 ID X .625 WIDE	1.000	3.00

Parts List (continued)			
Product ID	Description	Quantity	List Price
HA4021A05	1/16 NPSF-HX SOC PIPE PLUG TAPER DRY SEA	1.000	2.00
HW4600D29	SEAL, TCM #060871SC-G (.625" X .875"	1.000	12.00
HA1194B02	BLADDER,BDE EXPANSION	1.000	14.00
15XM0632A06	SCREW, 6-32X .375, THREAD FORMING	3.000	2.00
19XN1032A12	SCREW, HEX WASHER HEAD, #10-32 X .750	4.000	2.00
BCG5491-001	HSG,B CAP STD CLOSED	1.000	16.00
BH1104	BRG-SLEEVE, .500 ID X .500 WIDE	1.000	15.00
15XM0832A08	SCREW, 8-32X .500, THREAD FORMING	3.000	2.00
RM1078	RUBBER SQUARE RING 1.864 I.D.	1.000	2.00
BH1168A01	BRG-SLEEVE, .625 ID X .625 WIDE	1.000	3.00
HW4600D29	SEAL, TCM #060871SC-G (.625" X .875"	1.000	12.00
15XM0832A08	SCREW, 8-32X .500, THREAD FORMING	4.000	2.00
RM1098A02	RUBBER SQUARE RING TS-000-036 2.375 I.D.	1.000	2.00
BCG1120-004G	CAP, "E" BOX	1.000	25.00
HW2502D06	KEY, 3/16 SQ X .750 303SS	2.000	4.00
HA7000A04	KEY RETAINER 0.625 DIA SHAFTS	2.000	2.00
MJ1000A51	MOBILITH SHC007 WORM GEAR LUBE BLU4968	0.260	16.00
25BA4001-PA	25BA4001-PAINTED	1.000	21.00
10XN2520A08	1/4-20X1/2 HEX HEAD CAP	4.000	2.00
HW1001A25	LOCKWASHER 1/4, ZINC PLT .493 OD, .255 I	4.000	2.00
MG3000G01	EPOXY POWDER, GREY CHARCOAL	0.030	37.00
NP1784A04	NP,AC STD AD NONE V CSA UL GEAR MOTOR	1.000	
LB5040	INSTRUCTION TAG, AC & DC	1.000	2.00
CPA1000	PACKING GROUP STD. SINGLE	1.000	7.00

Parts List (continued)			
Product ID	Description	Quantity	List Price
LB1172A01	CUSTOM MTR CARTON LABEL LASER PRINTER	1.000	2.00

25E654W019G2



NOTE:
KEYWAYS: .188 X .094 X .875 LG.

CUSTOMER IS RESPONSIBLE FOR DETERMINING THAT MOTOR PERFORMANCE IS SUITABLE IN THE APPLICATION.

REV. DESC: CORRECT SECTION VIEW STACK LENGTH

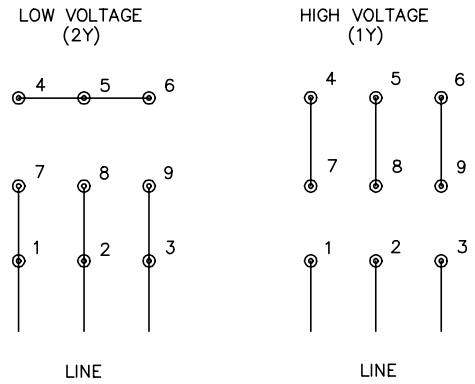
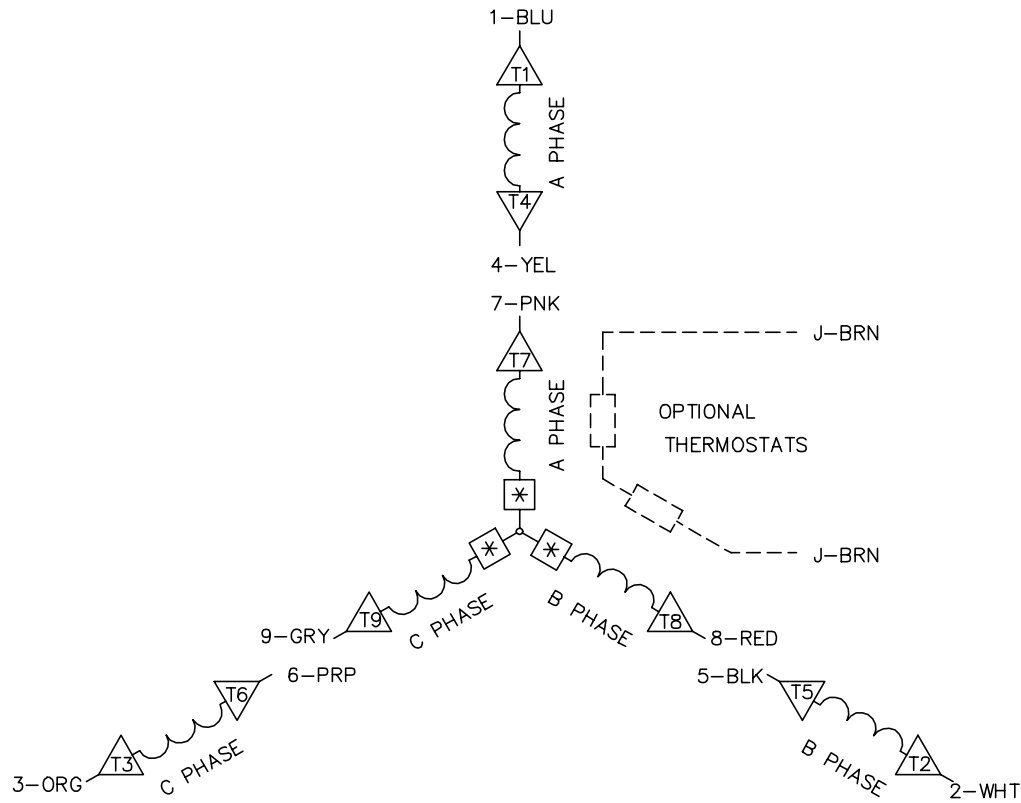
REV. LTR: A	VERSION: 01	TDR: 000000450837
Z9G10M4W93GZ	FILE: \CKA\00027\384	REVISED: 09:56:59 12/05/2007
	MTL: -	BY: CKRONSO

BALDOR • DODGE • RELIANCE

LY,25AC EB RSB TENV W\BASE (25E015W019G2)

25E654W019G2

CD0005A05



- NOTES:
1. INTERCHANGE ANY TWO LINE LEADS TO REVERSE ROTATION.
 2. OPTIONAL THERMOSTATS ARE PROVIDED WHEN SPECIFIED.
 3. ACTUAL NUMBER OF INTERNAL PARALLEL CIRCUITS MAY BE A MULTIPLE OF THOSE SHOWN ABOVE.
 4. LEAD COLORS ARE OPTIONAL. LEADS MUST ALWAYS BE NUMBERED AS SHOWN.
 5. =MAGNET WIRE COIL END WITH I.D. NUMBER.
 6. =MAGNET WIRE COIL END WITH I.D. SYMBOL.
 7. SEE CW PRINT FOR NEST TO NEST CROSSOVER CONNECTIONS.

REV. DESC: ADD NEST NOTE			
REV. LTR: C	VERSION: 03	TDR: 000000445597	
CD0005A05	FILE: \CKA\00024\847	REVISED: 12:51:06 11/15/2007	
	MTL: -	BY: CKMICRO	

BALDOR • DODGE • RELIANCE

3PH, DV, 9 LEADS, CK

CD0005A05