

BALDOR® • RELIANCE

Product Information Packet

GM25026

G.M. K16BA 208-230/460V 50//60 AC 15:1

Product Detail							
Revision:	M	Status:	PRD/A	Change #:		Proprietary:	No
Type:	AC	Prod Type:	2516M	Elec. Spec:	25WGW019	CD Diagram:	CD0005A05
Enclosure	TENV	Mfg Plant:		Mech Spec:		Layout:	25E679W019G1
Frame:	BB	Mounting:		Poles:	04	Created Date:	04-29-2005
Base:		Rotation:	R	Insulation:	F	Eff. Date:	01-28-2008
Leads:	9#18					Replaced By:	

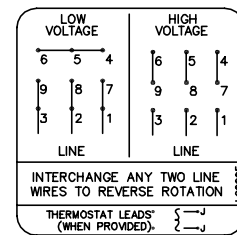
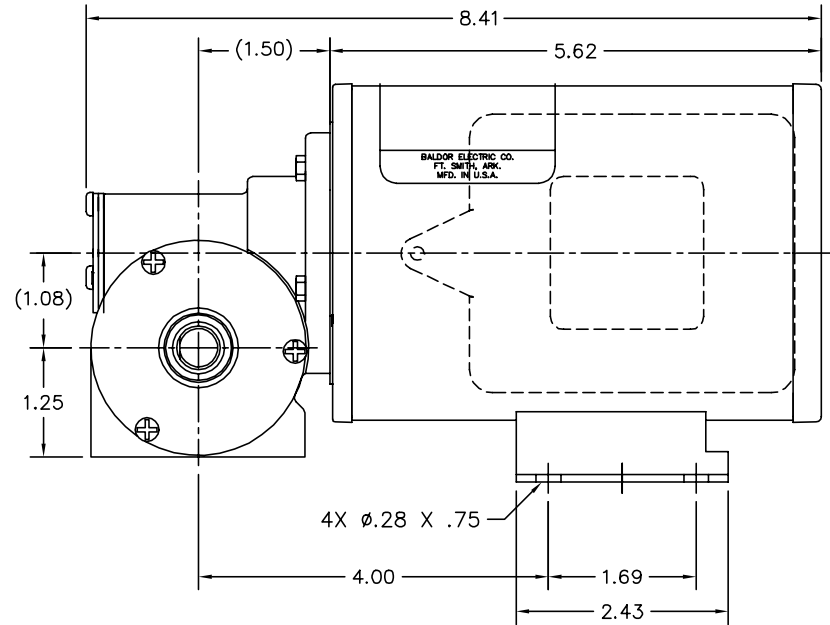
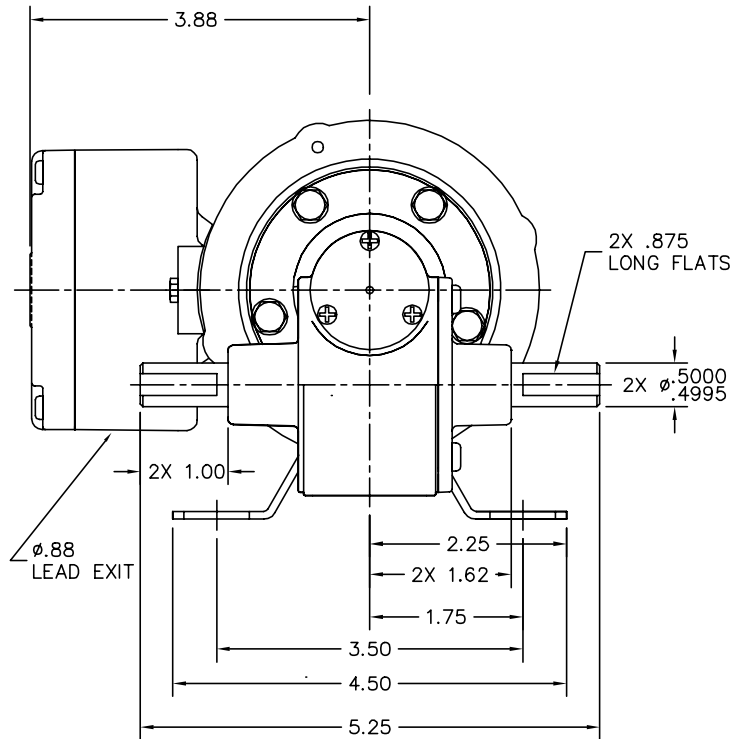
Nameplate NP1220A05

CAT.NO.	GM25026						
SER.NO							
SPEC.	25E679W019G1						
HP	.08//.07 TE						
VOLTS	208-230/460//190/380						
AMP	.49-.52/.26//.53/.27						
HZ	60//50	PH	3				
AMB.	40C	DUTY	CONT				
CAP		CODE	-				
SER.F.	1.00	CLASS	F				
SF AMP							
R.P.M.	115//95						
TORQ/IN LB	30						
RATIO	15:1						
APRV-CE		APRV-CSA		APRV-UL			

Parts List			
Product ID	Description	Quantity	List Price
SA128284	SA 25E679W019G1	1.000	237.00
RA118460	RA 25E679W019G1	1.000	198.00
SR001840	SR 25E679W019G1	1.000	62.00
LC0005	CONN.DIA.,TYPE M,9-LD,DUAL VOLTAGE,REVER	1.000	2.00
25EP3100A12	EP,25AC DE CL 60R8 RA 2.375 BC	1.000	52.00
HW5002A44	N5002-112 RET RING INTERNBEVELED F/6001	1.000	2.00
HW4600E07	SEAL,TRANSCOM #05112ASCW .500 X 1.125 X	1.000	2.00
RM1057	RUBBER SQUARE RING 1.424 I.D.	1.000	2.00
WM0038A03	WORM,BE 15.0 INP 1.083 C.D.	1.000	42.00
MJ5019A01	ADHESIVE LOCTITE #680 WAS BAD4525	0.010	276.00
24CB3500A	CONDUIT BOX LID - MODEL 24 W/ LOGO KENCO	1.000	7.00
24CB3000A	CONDUIT BOX - MODEL 24 KENCO	1.000	7.00
XY0632A05	NUT, #6-32 SELF LOCKING	2.000	2.00
XY0632A04	NUT, #6-32 ACORN, HIGH CROWN	1.000	2.00
15XP0619A08	#6-19X1/2 PAN HD PHILLIPS PLASTITE 48-2	4.000	2.00
25EP2101A12	EP,25AC ODE CL NONE	1.000	41.00
51XT0832G05	SCREW,HEX HD 8-32 X 5/16 GRN.	1.000	
HW5109A08	WASHER, WAVE SPRING FOR 30MM BORE SMALLE	1.000	3.00
HA3170A23	THRUBOLT,FLAT HD. #8-32 THDS X 5.625 LON	2.000	3.00
BHG5353-003G	HOUSING, B BOX GEAR HEAD	1.000	70.00
HA4021A05	1/16 NPSF-HX SOC PIPE PLUG TAPER DRY SEA	1.000	2.00
BH1104	BRG-SLEEVE, .500 ID X .500 WIDE	1.000	15.00
19XN1032A12	SCREW, HEX WASHER HEAD, #10-32 X .750	4.000	2.00
HA1194B02	BLADDER,BDE EXPANSION	1.000	14.00

Parts List (continued)			
Product ID	Description	Quantity	List Price
15XM0632A04	SCREW, 6-32X .250, THREAD FORMING	3.000	2.00
HW4600C29	SEAL, TCM #0507416 SCW .50X.75X.165 RB	1.000	3.00
BCG5490-001G	CAP, "B" BOX GEARHOUSING, MACH'D	1.000	18.00
BH1104	BRG-SLEEVE, .500 ID X .500 WIDE	1.000	15.00
HW4600C29	SEAL, TCM #0507416 SCW .50X.75X.165 RB	1.000	3.00
15XM0832A08	SCREW, 8-32X .500, THREAD FORMING	3.000	2.00
RM1078	RUBBER SQUARE RING 1.864 I.D.	1.000	2.00
MG3000G01	EPOXY POWDER, GREY CHARCOAL	0.030	37.00
MJ1000B02	KLUBERSYNTH GH6-460 GEAR OIL	0.080	215.00
NP1220A05	NP,AC STD AD NONE V CE CSA UL GEAR MOTOR	1.000	
LB5040	INSTRUCTION TAG, AC & DC	1.000	2.00
CPA1000	PACKING GROUP STD. SINGLE	1.000	7.00
LB1172A01	CUSTOM MTR CARTON LABEL LASER PRINTER	1.000	2.00

25E679W019G1



INSTALL CONN. LABEL UNDER CONDUIT BOX LID.

CUSTOMER IS RESPONSIBLE FOR DETERMINING THAT MOTOR PERFORMANCE IS SUITABLE IN THE APPLICATION.

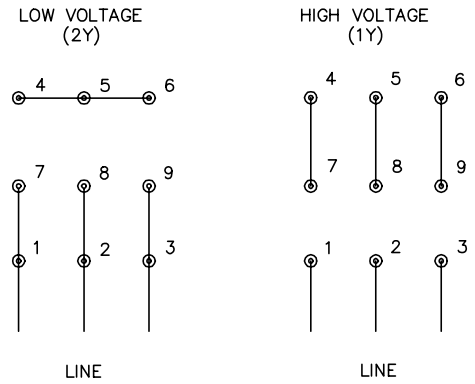
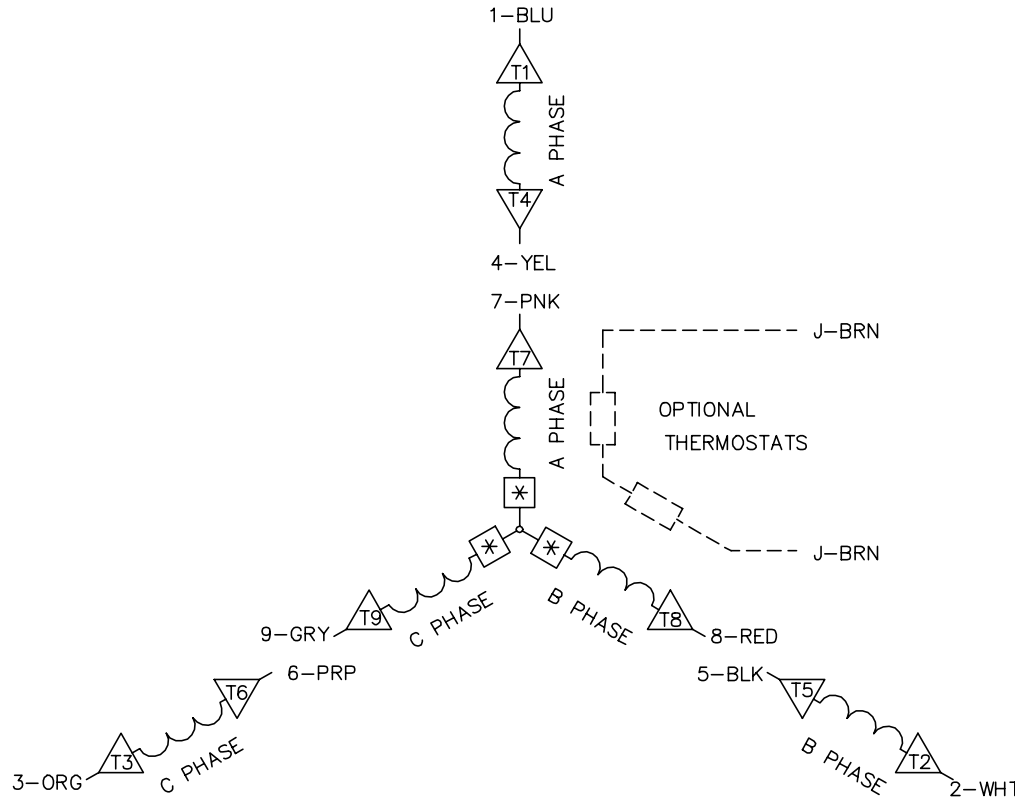
REV. DESC: NEW		
REV. LTR: -	VERSION: 00	TDR: 000000356064
1G10M6Z03Z 25E679W019G1	FILE: \CKA\00027\397	REVISED: 10:02:39 05/09/2005
	MTL: -	BY: CKRONSO

BALDOR ELECTRIC Co.

LY,25AC B RSB TENV 1.000 0.500 FLATS (25E214W019G1)

25E679W019G1

CD0005A05



- NOTES:
1. INTERCHANGE ANY TWO LINE LEADS TO REVERSE ROTATION.
 2. OPTIONAL THERMOSTATS ARE PROVIDED WHEN SPECIFIED.
 3. ACTUAL NUMBER OF INTERNAL PARALLEL CIRCUITS MAY BE A MULTIPLE OF THOSE SHOWN ABOVE.
 4. LEAD COLORS ARE OPTIONAL. LEADS MUST ALWAYS BE NUMBERED AS SHOWN.
 5. =MAGNET WIRE COIL END WITH I.D. NUMBER.
 6. =MAGNET WIRE COIL END WITH I.D. SYMBOL.
 7. SEE CW PRINT FOR NEST TO NEST CROSSOVER CONNECTIONS.

REV. DESC: ADD NEST NOTE			
REV. LTR: C	VERSION: 03	TDR: 000000445597	
CD0005A05	FILE: \CKA\00024\847	REVISED: 12:51:06 11/15/2007	
	MTL: -	BY: CKMICRO	

BALDOR • DODGE • RELIANCE

3PH, DV, 9 LEADS, CK

CD0005A05