

BALDOR® • RELIANCE

Product Information Packet

GM2503

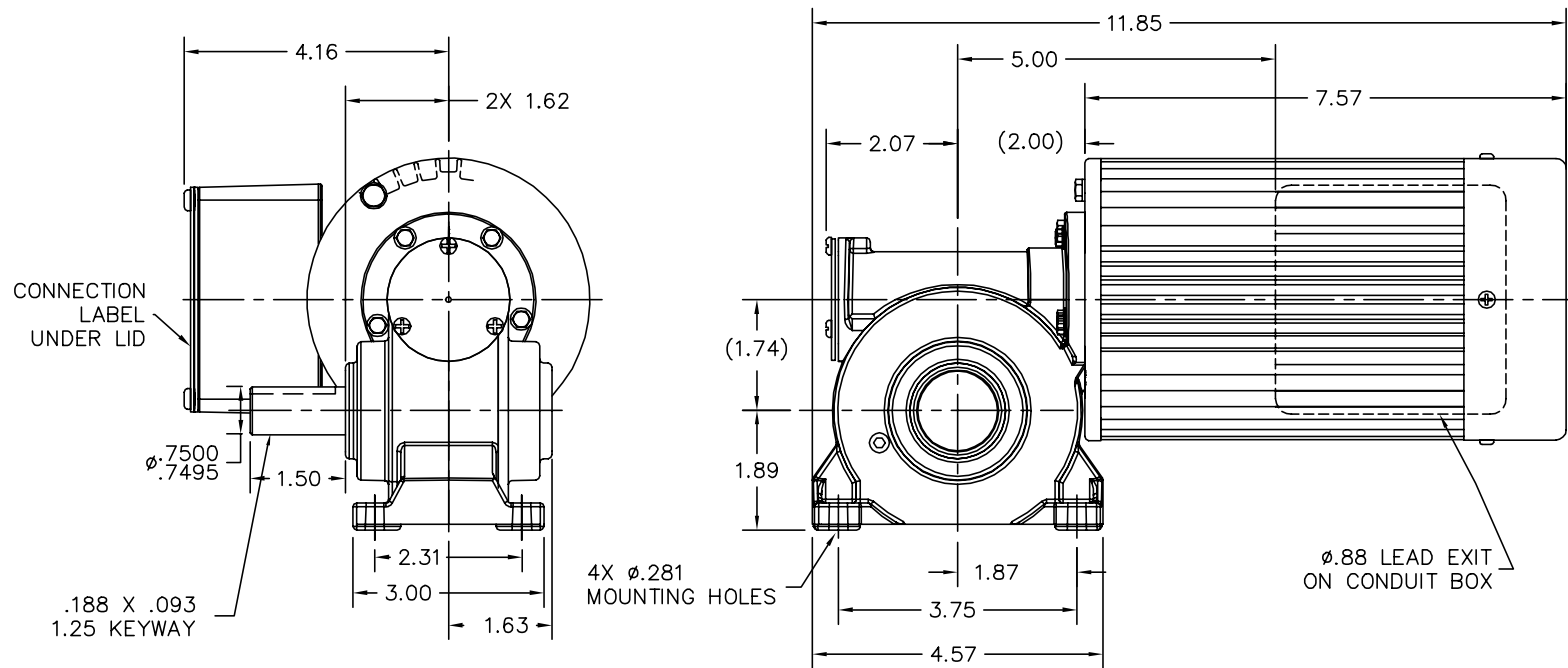
G.M. K24JF 208-230/460V 20:1 85 RPM

Product Detail							
Revision:	S	Status:	PRD/A	Change #:		Proprietary:	No
Type:	AC	Prod Type:	2524M	Elec. Spec:	25WGW347	CD Diagram:	CD0005A05
Enclosure	TEFC	Mfg Plant:		Mech Spec:		Layout:	25E569W347G2
Frame:	JH	Mounting:		Poles:	04	Created Date:	
Base:		Rotation:	R	Insulation:	F	Eff. Date:	06-18-2008
Leads:	9#18					Replaced By:	
Nameplate NP1416A03							
CAT.NO.	GM2503	SER.NO					
SPEC.	25E569W347G2						
HP	.3 TE	VOLTS	208-230/460				
AMP	1.32-1.38/.67	HZ	60				
PH	3	CAP		CODE	-	CLASS	F
SER.F.	1.00	SF AMP		AMB.	40C		
DUTY	CONT	R.P.M.	84				
TORQ/IN LB	155	RATIO	20:1				
APRV-CSA		APRV-UL					

Parts List			
Product ID	Description	Quantity	List Price
SA114278	SA 25E569W347G2	1.000	380.00
RA105417	RA 25E569W347G2	1.000	317.00
SR001276	SR 25E569W347G2	1.000	214.00
LC0005E01	CONN.DIA./WARNING LABEL (LC0005/LB1119)	1.000	2.00
RM1057	RUBBER SQUARE RING 1.424 I.D.	1.000	2.00
25EP2113A15	EP,25AC ODE GP EXR TEFC 10-32 EXT THRUBO	1.000	62.00
55XT0632G03	6-32 X 0.187 RD HD PHILLIPS, SERRATED	1.000	2.00
HW5109A08	WASHER, WAVE SPRING FOR 30MM BORE SMALLE	1.000	3.00
25FH4006-PA	FAN COVER, 25F PAINTED	1.000	23.00
BFN3712	FAN,PM MOTOR STYLE R	1.000	19.00
15XN1032A06	SCREW PAN HD 10-32 X 3/8 (PHILLIPS)	3.000	2.00
HW1003A10	WASHER, #10 EX TH LK, ZN X	2.000	2.00
HA3100A29	THRUBOLT 10-32 X 7.00	2.000	4.00
CB0100B01	CB,EXR 25 .88 LEAD EXIT F1 POSITION	1.000	41.00
GS0120	GASKET,CONDUIT BOX FOR CB2000A17	1.000	2.00
15XN0832A08	SCREW PAN HD 08-32 X 1/2 (PHILLIPS)	2.000	2.00
CB0103A00-PA	CB0103A00 PAINTED	1.000	4.00
GS0121A01	GASKET, LID FOR CB0100B00	1.000	3.00
15XM0832A06	SCREW, 8-32X .375, THREAD FORMING	4.000	2.00
HG0039A04G	HSG,JK EX CLOSED W/ GRAY POWDER COAT	1.000	62.00
15XM0832A06	SCREW, 8-32X .375, THREAD FORMING	4.000	2.00
HA4021A05	1/16 NPSF-HX SOC PIPE PLUG TAPER DRY SEA	1.000	2.00
HA1194B01	BLADDER,CJK EXPANSION	1.000	15.00
15XM0632A06	SCREW, 6-32X .375, THREAD FORMING	3.000	2.00

Parts List (continued)			
Product ID	Description	Quantity	List Price
19XN1032A12	SCREW, HEX WASHER HEAD, #10-32 X .750	4.000	2.00
BS0114A01G	BS,JH OP 6204STD OPEN W/ GRAY POWDER COA	1.000	34.00
HW4600D39	SEAL, .750 X 1.250 X .250 SINGLE	1.000	2.00
HW5002A57	WALDES N5002-187 BEVELED 1.850	1.000	3.00
HW4600D39	SEAL, .750 X 1.250 X .250 SINGLE	1.000	2.00
HW5109A10	WASHER, WAVE SPRING FOR 47MM BORE SMALLE	1.000	2.00
RM1020A21	O-RING,3.240 I.D. X .052 BUNA (PGS) BGA4	1.000	2.00
HW2501D10	KEY, 3/16 SQ X 1.000	1.000	2.00
BMH4712	KEY LOCKING RING 3/4"	1.000	2.00
MJ1000B02	KLUBERSYNTH GH6-460 GEAR OIL	0.030	215.00
MG3000G01	EPOXY POWDER, GREY CHARCOAL	0.010	37.00
NP1416A03	NP,AC STD AD NONE V CSA UL GEAR MOTOR	1.000	
LB5040	INSTRUCTION TAG, AC & DC	1.000	2.00
CPA1000	PACKING GROUP STD. SINGLE	1.000	7.00
LB1172A01	CUSTOM MTR CARTON LABEL LASER PRINTER	1.000	2.00
PK3090	2" X 7 1/8 X 6 1/2" CRADLE VIN#1665500	1.000	2.00

25E569W347G2



CUSTOMER IS RESPONSIBLE FOR DETERMINING THAT MOTOR PERFORMANCE IS SUITABLE IN THE APPLICATION.

REV. DESC: CHANGE CB TO METAL

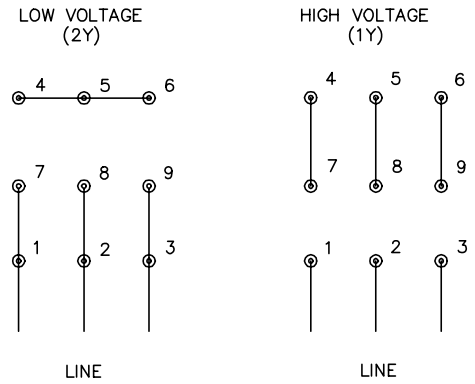
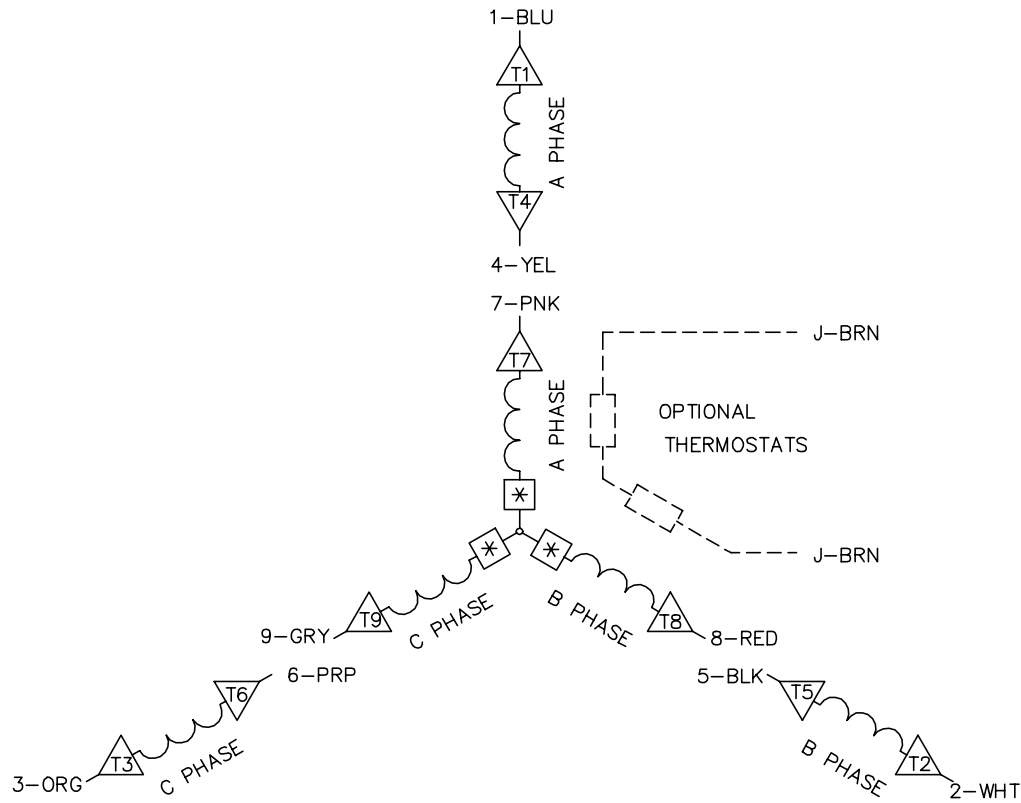
REV. LTR: C	VERSION: 03	TDR: 000000444987
Z9Z4EM69S3Z	FILE: \CKA\00024\725	REVISED: 10:21:31 10/02/2007
	MTL: -	BY: CKMARDO

BALDOR • DODGE • RELIANCE

LY,25AC JH EXR TEFC 918 GEARING

25E569W347G2

CD0005A05



- NOTES:
1. INTERCHANGE ANY TWO LINE LEADS TO REVERSE ROTATION.
 2. OPTIONAL THERMOSTATS ARE PROVIDED WHEN SPECIFIED.
 3. ACTUAL NUMBER OF INTERNAL PARALLEL CIRCUITS MAY BE A MULTIPLE OF THOSE SHOWN ABOVE.
 4. LEAD COLORS ARE OPTIONAL. LEADS MUST ALWAYS BE NUMBERED AS SHOWN.
 5. =MAGNET WIRE COIL END WITH I.D. NUMBER.
 6. =MAGNET WIRE COIL END WITH I.D. SYMBOL.
 7. SEE CW PRINT FOR NEST TO NEST CROSSOVER CONNECTIONS.

REV. DESC: ADD NEST NOTE			
REV. LTR: C	VERSION: 03	TDR: 000000445597	
CD0005A05	FILE: \CKA\00024\847	REVISED: 12:51:06 11/15/2007	
	MTL: -	BY: CKMICRO	

BALDOR • DODGE • RELIANCE

3PH, DV, 9 LEADS, CK

CD0005A05