

# **BALDOR**® • ***RELIANCE***

## **Product Information Packet**

### **GM25060**

**.25HP, AC, G-BOX WORM\_HELICAL, TEFC GM**

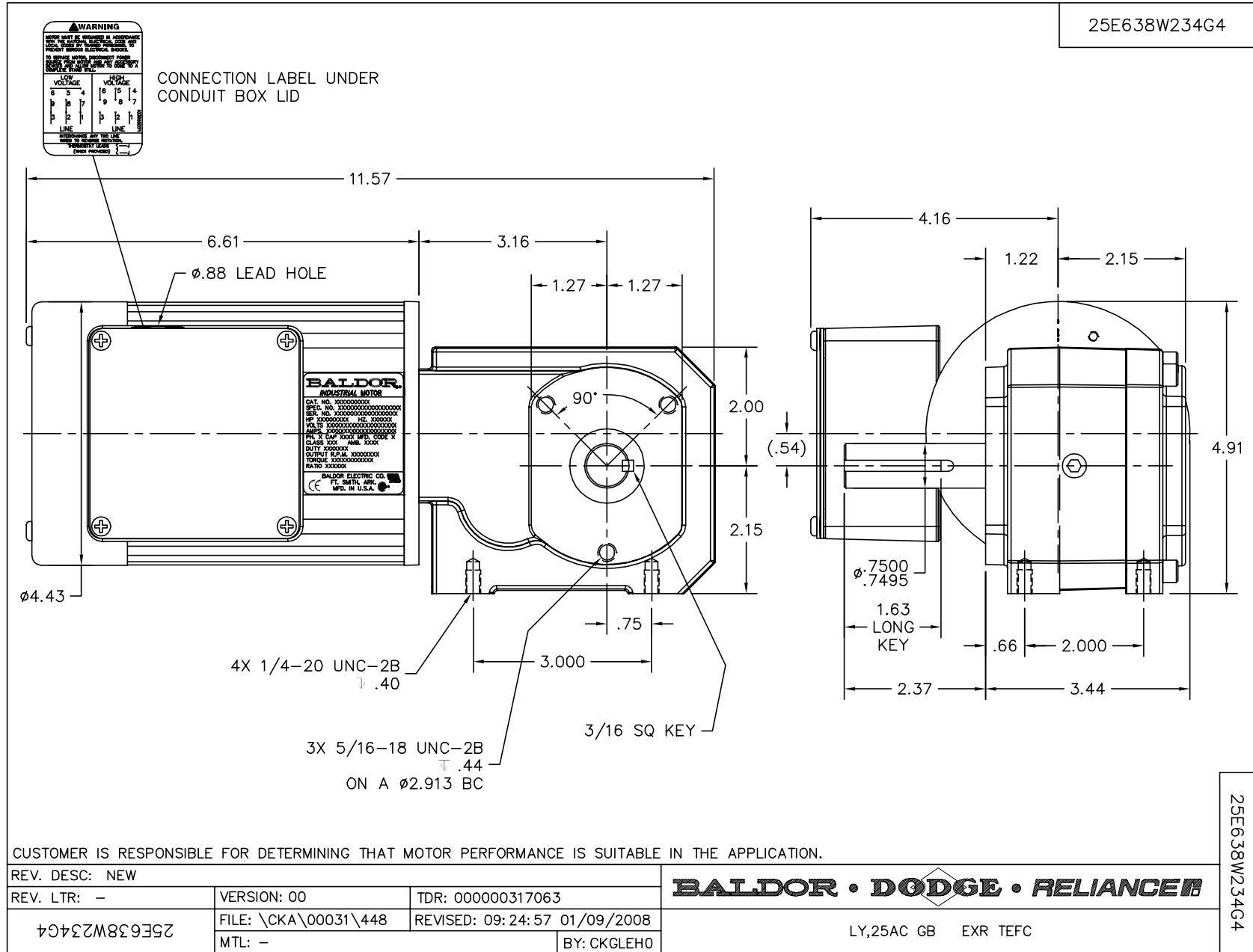
Product Detail							
Revision:	-	Status:	PRD/A	Change #:		Proprietary:	No
Type:	AC	Prod Type:	2516M	Elec. Spec:	25WGW234	CD Diagram:	CD0005A05
Enclosure	TEFC	Mfg Plant:		Mech Spec:		Layout:	25E638W234G4
Frame:	G	Mounting:		Poles:	04	Created Date:	01-24-2007
Base:		Rotation:	R	Insulation:	F	Eff. Date:	03-13-2008
Leads:	9#18					Replaced By:	

**Nameplate NP1869A01**

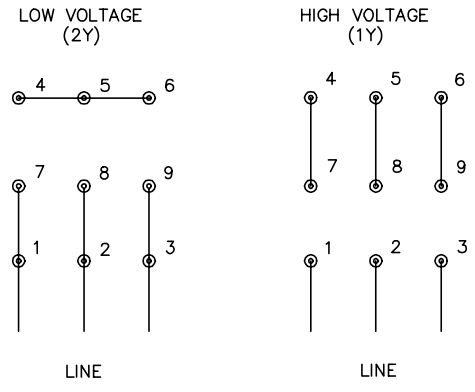
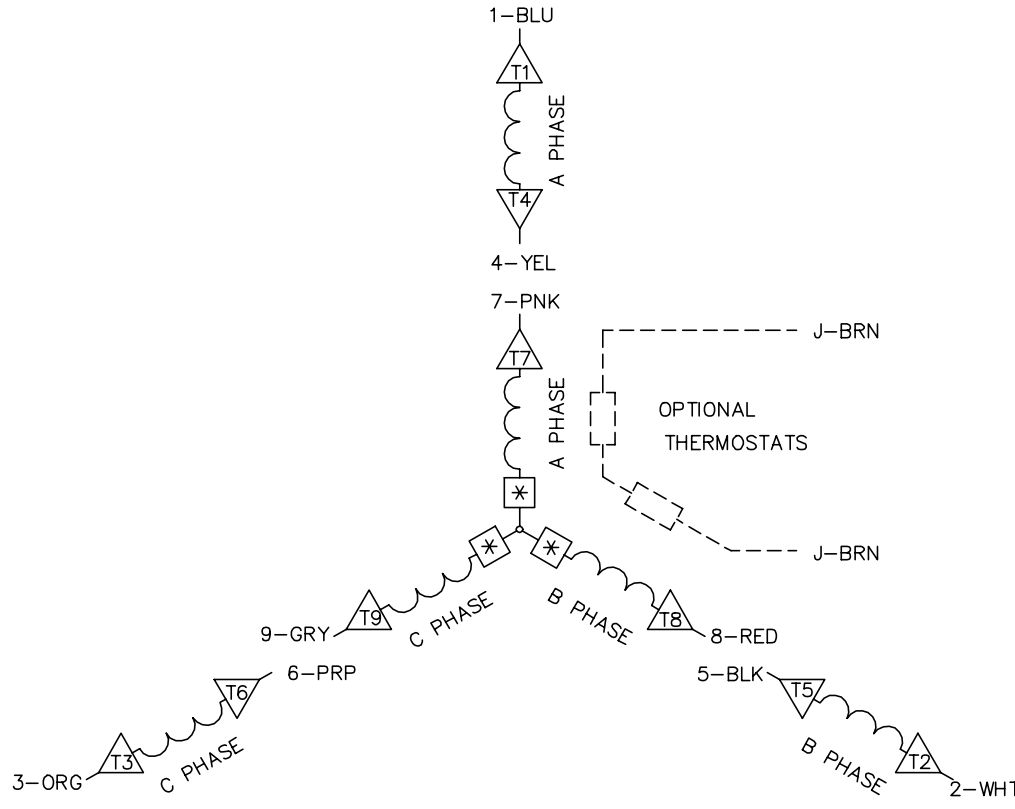
CAT.NO.	GM25060						
SPEC.	25E638W234G4						
SER.NO							
HP	.13//.17	HZ	50//60				
VOLTS	190/380-415//230/460						
AMB.	40C						
PH	3	CAP		CODE	-		
CLASS	F	AMP	.74/.37-.38//.74/.37				
DUTY	CONT						
R.P.M.	22.5//27.5						
TORQ/IN LB	250						
RATIO	60:1	APRV-CSA		APRV-UL			
APRV-CE							

<b>Parts List</b>			
<b>Product ID</b>	<b>Description</b>	<b>Quantity</b>	<b>List Price</b>
SA168746	SA 25E638W234G4	1.000	421.00
RA157040	RA 25E638W234G4	1.000	351.00
LC0005E01	CONN.DIA./WARNING LABEL (LC0005/LB1119)	1.000	2.00
25EP2108A62	EP,25AC DE CL 6201 G GH MTG. C'SUNK THRU	1.000	95.00
HW5002A95	N5002-125 32MM BEVELED INTERNAL RET RING	1.000	4.00
HW4600C38	SEAL TRANSCOM #10X30X7TC	1.000	5.00
25SH4006D08	SHAFT,ROT BDE 25 18-20 FAN PINNED WORM	1.000	35.00
HW5060A27	RET RING, 1/2" HEAVY DUTY	1.000	2.00
WM0038A26	WORM,G 20.0 INP 1.083 C.D.	1.000	67.00
MJ5019A01	ADHESIVE LOCTITE #680 WAS BAD4525	0.001	276.00
CB0100B02	CB,EXR 25 .88 LEAD EXIT F2 POSITION	1.000	44.00
GS0120	GASKET,CONDUIT BOX FOR CB2000A17	1.000	2.00
15XN0832A08	SCREW PAN HD 08-32 X 1/2 (PHILLIPS)	2.000	2.00
CB0103A00-PA	CB0103A00 PAINTED	1.000	4.00
GS0121A01	GASKET, LID FOR CB0100B00	1.000	3.00
15XN0832A08	SCREW PAN HD 08-32 X 1/2 (PHILLIPS)	4.000	2.00
25EP2113A24	EP,25AC ODE GP 42C EXR TEFC WFAN CVR MT	1.000	67.00
55XT0632G03	6-32 X 0.187 RD HD PHILLIPS, SERRATED	1.000	2.00
HW5109A08	WASHER, WAVE SPRING FOR 30MM BORE SMALLE	1.000	3.00
HA3170A19	THRUBOLT, FLATHEAD #8-32 THREADS X 6.000	2.000	4.00
25FH4006A02	HSG,FAN EXR HSG NOTCH EXT TIE BOLT FOR 1	1.000	35.00
BFN3712	FAN,PM MOTOR STYLE R	1.000	19.00
11XN1032A14	10-32 X 7/8 SCREW HEX SLT HD	2.000	2.00
HG0074A04	HSG,G MACHINED STD.	1.000	147.00

<b>Parts List (continued)</b>			
<b>Product ID</b>	<b>Description</b>	<b>Quantity</b>	<b>List Price</b>
84XN1032J08	10-32 X 1/2 SOC HD CAP BKOX	4.000	2.00
RM1057	RUBBER SQUARE RING 1.424 I.D.	1.000	2.00
MJ5004A35	ADHESIVE LOCTITE #243-31 50 ML	0.001	
HW3075J05	1/4 X 1/2 GROOVE PIN TYPE H	2.000	7.00
HA4021A05	1/16 NPSF-HX SOC PIPE PLUG TAPER DRY SEA	1.000	2.00
SG0056A22	SHAFT,ASSY G INP 2RED 3.0/20.0	1.000	227.00
SG0056A23	SHAFT,ASSY G OUTP 2RED 0.0/3.0	1.000	161.00
CG0011A04	HSG,CAP G MACHINED 3X 5/16-18 MOUNTING	1.000	93.00
HW5109A04	WASHER, SPLIT WAVE SPRING, FOR 32MM BORE	1.000	3.00
HW5109A10	WASHER, WAVE SPRING FOR 47MM BORE SMALLE	1.000	2.00
84XN2520J16	1/4-20 X 1 SOC HD CAP SCREW	6.000	2.00
HW4600D39	SEAL, .750 X 1.250 X .250 SINGLE	1.000	2.00
MJ5001A15	SEALER-PERMATEX(LOCTITE) 40479 "THE RIGH	0.030	110.00
MJ1000B02	KLUBERSYNTH GH6-460 GEAR OIL	0.050	215.00
MG3000G01	EPOXY POWDER, GREY CHARCOAL	0.030	37.00
HW2501D15	KEY, 3/16 SQ X 1.625	1.000	2.00
BMH4712	KEY LOCKING RING 3/4"	1.000	2.00
NP1869A01	NP,AC STD AD NONE V CE CSA UL GEAR MOTOR	1.000	
LB5040	INSTRUCTION TAG, AC & DC	1.000	2.00
CPA1001	PACKING GROUP OVERSIZED SINGLE	1.000	19.00
LB1125A01SP	STOCK MTR CARTON LABEL LASER PRINTER	1.000	3.00
PK3090	2" X 7 1/8 X 6 1/2" CRADLE VIN#1665500	1.000	2.00



CD0005A05



- NOTES:
1. INTERCHANGE ANY TWO LINE LEADS TO REVERSE ROTATION.
  2. OPTIONAL THERMOSTATS ARE PROVIDED WHEN SPECIFIED.
  3. ACTUAL NUMBER OF INTERNAL PARALLEL CIRCUITS MAY BE A MULTIPLE OF THOSE SHOWN ABOVE.
  4. LEAD COLORS ARE OPTIONAL. LEADS MUST ALWAYS BE NUMBERED AS SHOWN.
  5.  $\Delta$  # =MAGNET WIRE COIL END WITH I.D. NUMBER.
  6. \* =MAGNET WIRE COIL END WITH I.D. SYMBOL.
  7. SEE CW PRINT FOR NEST TO NEST CROSSOVER CONNECTIONS.

REV. DESC: ADD NEST NOTE			
REV. LTR: C	VERSION: 03	TDR: 000000445597	
CD0005A05	FILE: \CKA\00024\847	REVISED: 12:51:06 11/15/2007	
	MTL: -	BY: CKMICRO	

**BALDOR • DODGE • RELIANCE**

3PH, DV, 9 LEADS, CK

CD0005A05