

BALDOR® • RELIANCE

Product Information Packet

GM2507

G.M. K24JF 208-230/460V 50:1 34 RPM

Product Detail							
Revision:	S	Status:	PRD/A	Change #:		Proprietary:	No
Type:	AC	Prod Type:	2524M	Elec. Spec:	25WGW347	CD Diagram:	CD0005A05
Enclosure	TEFC	Mfg Plant:		Mech Spec:		Layout:	25E569W347G1
Frame:	JH	Mounting:		Poles:	04	Created Date:	
Base:		Rotation:	R	Insulation:	F	Eff. Date:	06-18-2008
Leads:	9#18					Replaced By:	
Nameplate NP1416A03							
CAT.NO.	GM2507	SER.NO	DATE CODE				
SPEC.	25E569W347G1						
HP	.3 TE	VOLTS	208-230/460				
AMP	1.32-1.38/.67	HZ	60				
PH	3	CAP		CODE	-	CLASS	F
SER.F.	1.00	SF AMP		AMB.	40C		
DUTY	CONT	R.P.M.	33.3				
TORQ/IN LB	256	RATIO	50:1				
APRV-CSA		APRV-UL					

Parts List			
Product ID	Description	Quantity	List Price
SA114058	SA 25E569W347G1	1.000	380.00
RA105205	RA 25E569W347G1	1.000	317.00
SR001272	SR 25E569W347G1	1.000	214.00
LC0005E01	CONN.DIA./WARNING LABEL (LC0005/LB1119)	1.000	2.00
RM1057	RUBBER SQUARE RING 1.424 I.D.	1.000	2.00
25EP2113A15	EP,25AC ODE GP EXR TEFC 10-32 EXT THRUBO	1.000	62.00
55XT0632G03	6-32 X 0.187 RD HD PHILLIPS, SERRATED	1.000	2.00
HW5109A08	WASHER, WAVE SPRING FOR 30MM BORE SMALLE	1.000	3.00
25FH4006-PA	FAN COVER, 25F PAINTED	1.000	23.00
BFN3712	FAN,PM MOTOR STYLE R	1.000	19.00
15XN1032A06	SCREW PAN HD 10-32 X 3/8 (PHILLIPS)	3.000	2.00
HW1003A10	WASHER, #10 EX TH LK, ZN X	2.000	2.00
HA3100A29	THRUBOLT 10-32 X 7.00	2.000	4.00
CB0100B01	CB,EXR 25 .88 LEAD EXIT F1 POSITION	1.000	41.00
GS0120	GASKET,CONDUIT BOX FOR CB2000A17	1.000	2.00
15XN0832A08	SCREW PAN HD 08-32 X 1/2 (PHILLIPS)	2.000	2.00
CB0103A00-PA	CB0103A00 PAINTED	1.000	4.00
GS0121A01	GASKET, LID FOR CB0100B00	1.000	3.00
15XM0832A06	SCREW, 8-32X .375, THREAD FORMING	4.000	2.00
HG0039A04G	HSG,JK EX CLOSED W/ GRAY POWDER COAT	1.000	62.00
15XM0832A06	SCREW, 8-32X .375, THREAD FORMING	4.000	2.00
HA4021A05	1/16 NPSF-HX SOC PIPE PLUG TAPER DRY SEA	1.000	2.00
HA1194B01	BLADDER,CJK EXPANSION	1.000	15.00
15XM0632A06	SCREW, 6-32X .375, THREAD FORMING	3.000	2.00

Parts List (continued)			
Product ID	Description	Quantity	List Price
19XN1032A12	SCREW, HEX WASHER HEAD, #10-32 X .750	4.000	2.00
BS0114A01G	BS,JH OP 6204STD OPEN W/ GRAY POWDER COA	1.000	34.00
HW4600D39	SEAL, .750 X 1.250 X .250 SINGLE	1.000	2.00
HW5002A57	WALDES N5002-187 BEVELED 1.850	1.000	3.00
HW4600D39	SEAL, .750 X 1.250 X .250 SINGLE	1.000	2.00
HW5109A10	WASHER, WAVE SPRING FOR 47MM BORE SMALLE	1.000	2.00
RM1020A21	O-RING,3.240 I.D. X .052 BUNA (PGS) BGA4	1.000	2.00
HW2501D10	KEY, 3/16 SQ X 1.000	1.000	2.00
BMH4712	KEY LOCKING RING 3/4"	1.000	2.00
MJ1000B02	KLUBERSYNTH GH6-460 GEAR OIL	0.030	215.00
MG3000G01	EPOXY POWDER, GREY CHARCOAL	0.010	37.00
NP1416A03	NP,AC STD AD NONE V CSA UL GEAR MOTOR	1.000	
LB5040	INSTRUCTION TAG, AC & DC	1.000	2.00
CPA1000	PACKING GROUP STD. SINGLE	1.000	7.00
LB1172A01	CUSTOM MTR CARTON LABEL LASER PRINTER	1.000	2.00
PK3090	2" X 7 1/8 X 6 1/2" CRADLE VIN#1665500	1.000	2.00

25E569W347G1

WARNING

MOTOR MUST BE GROUNDED IN ACCORDANCE WITH THE NATIONAL ELECTRICAL CODE AND LOCAL CODES BY TRAINED PERSONNEL TO PREVENT SERIOUS ELECTRICAL SHOCKS.

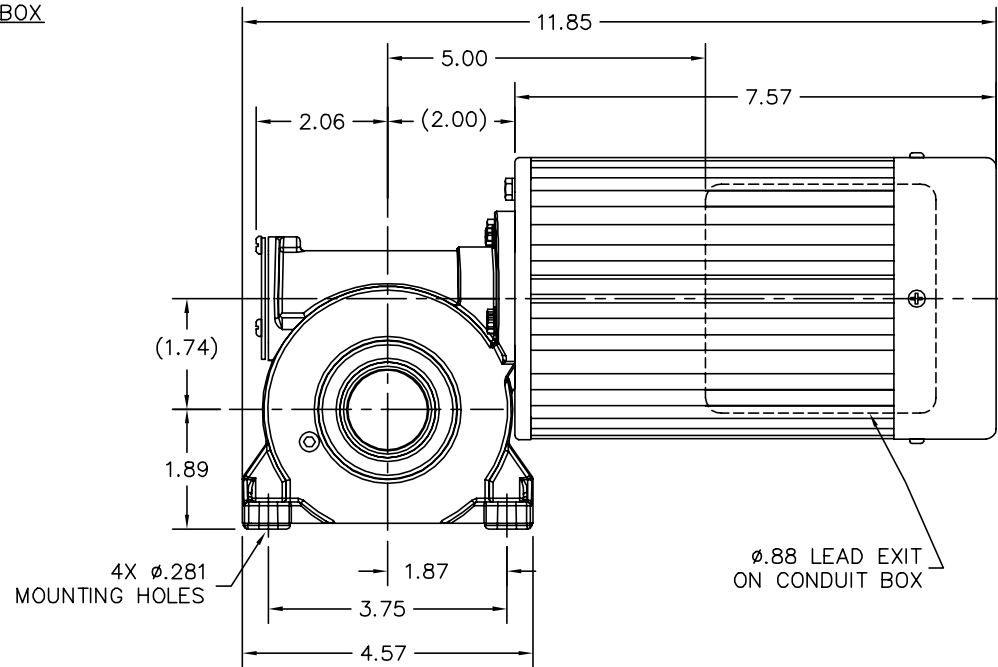
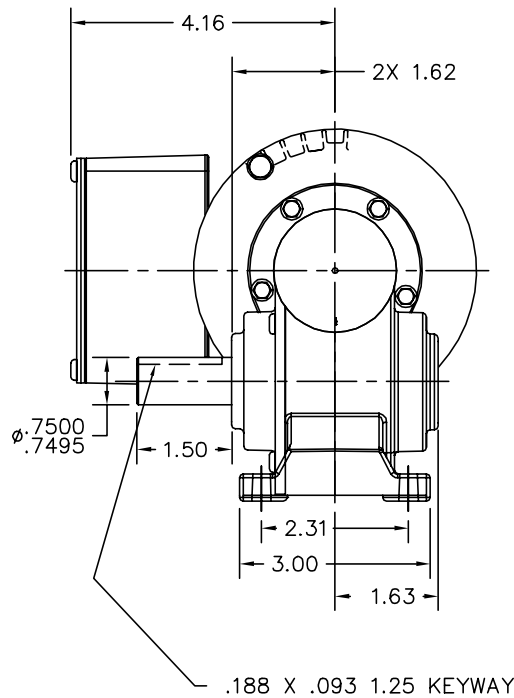
TO SERVICE MOTOR, DISCONNECT POWER SOURCE FROM MOTOR AND ANY ACCESSORY DEVICES AND ALLOW MOTOR TO COOL TO A COMPLETE STAND STILL.

LOW VOLTAGE			HIGH VOLTAGE		
6	5	4	6	5	4
9	8	7	9	8	7
3	2	1	3	2	1
LINE			LINE		

INTERCHANGE ANY TWO LINE WIRES TO REVERSE ROTATION

TERMINAL LEADS (WHEN PROVIDED)

LABEL UNDER C'BOX



CUSTOMER IS RESPONSIBLE FOR DETERMINING THAT BALDOR'S PRODUCT WILL PERFORM SUITABLY IN THE INTENDED APPLICATION.

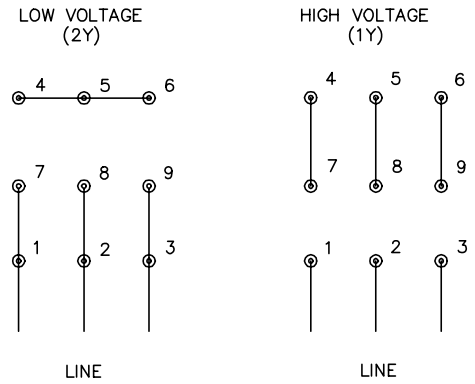
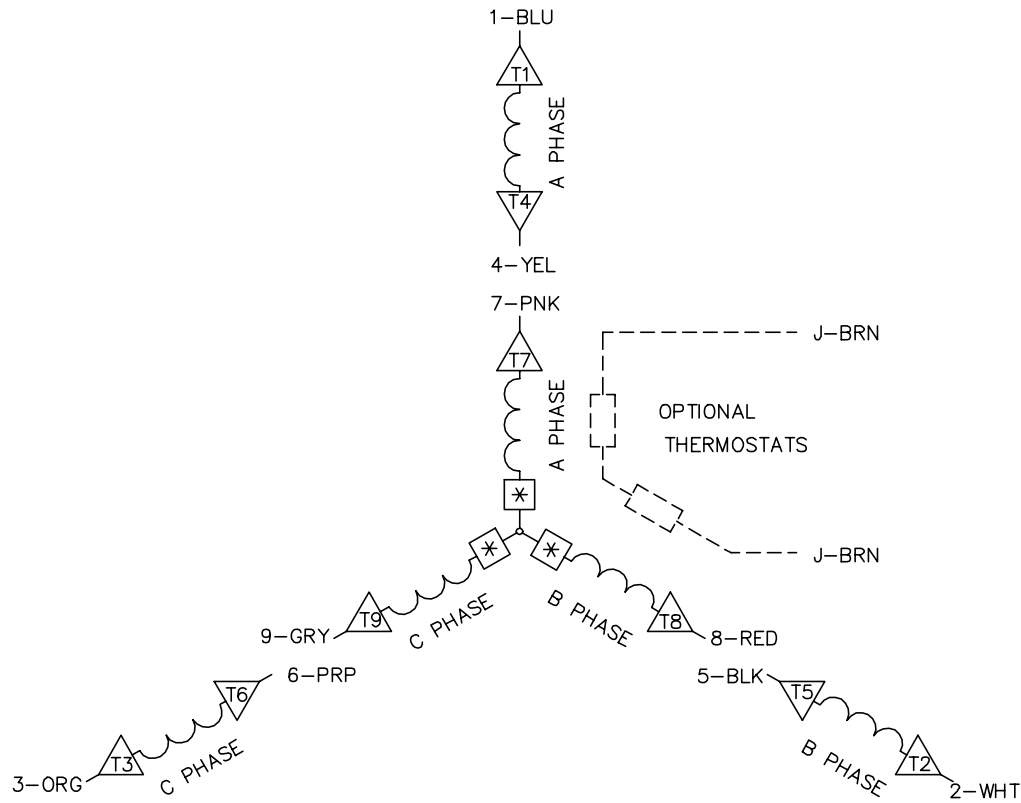
REV. DESC: CHG LAYOUT TO SHOW CAP ON CORRECT SIDE		
REV. LTR: D	VERSION: 04	TDR: 000000469989
FILE: \CKA\00024\695	REVISED: 07:18:42 08/04/2008	
MTL: -	BY: CKRONSO	

BALDOR • DODGE • RELIANCE

LY,25AC JH EXR TEFC 918 GEARING
SH 1 of 2

25E569W347G1

CD0005A05



- NOTES:
1. INTERCHANGE ANY TWO LINE LEADS TO REVERSE ROTATION.
 2. OPTIONAL THERMOSTATS ARE PROVIDED WHEN SPECIFIED.
 3. ACTUAL NUMBER OF INTERNAL PARALLEL CIRCUITS MAY BE A MULTIPLE OF THOSE SHOWN ABOVE.
 4. LEAD COLORS ARE OPTIONAL. LEADS MUST ALWAYS BE NUMBERED AS SHOWN.
 5. =MAGNET WIRE COIL END WITH I.D. NUMBER.
 6. =MAGNET WIRE COIL END WITH I.D. SYMBOL.
 7. SEE CW PRINT FOR NEST TO NEST CROSSOVER CONNECTIONS.

REV. DESC: ADD NEST NOTE			
REV. LTR: C	VERSION: 03	TDR: 000000445597	
CD0005A05	FILE: \CKA\00024\847	REVISED: 12:51:06 11/15/2007	
	MTL: -	BY: CKMICRO	

BALDOR • DODGE • RELIANCE

3PH, DV, 9 LEADS, CK

CD0005A05