

# **BALDOR® • *RELIANCE***

## **Product Information Packet**

### **GM3303**

**G.M. F20UF 230/460 86 RPM 20:1**

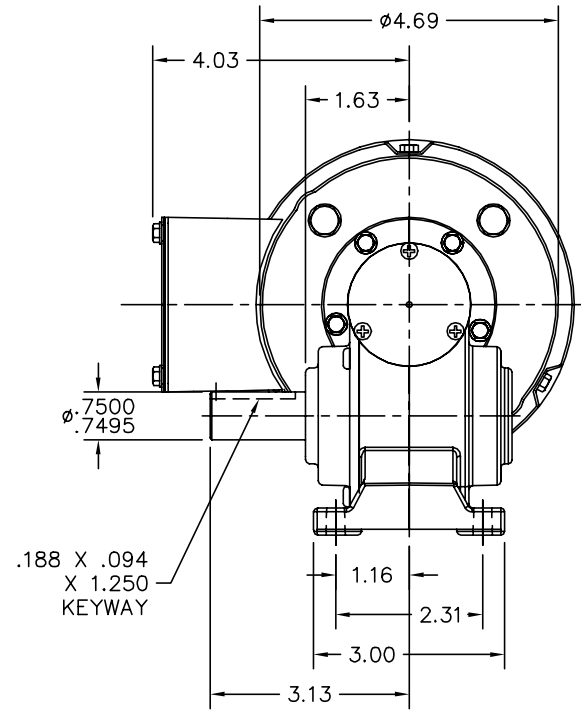
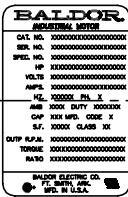
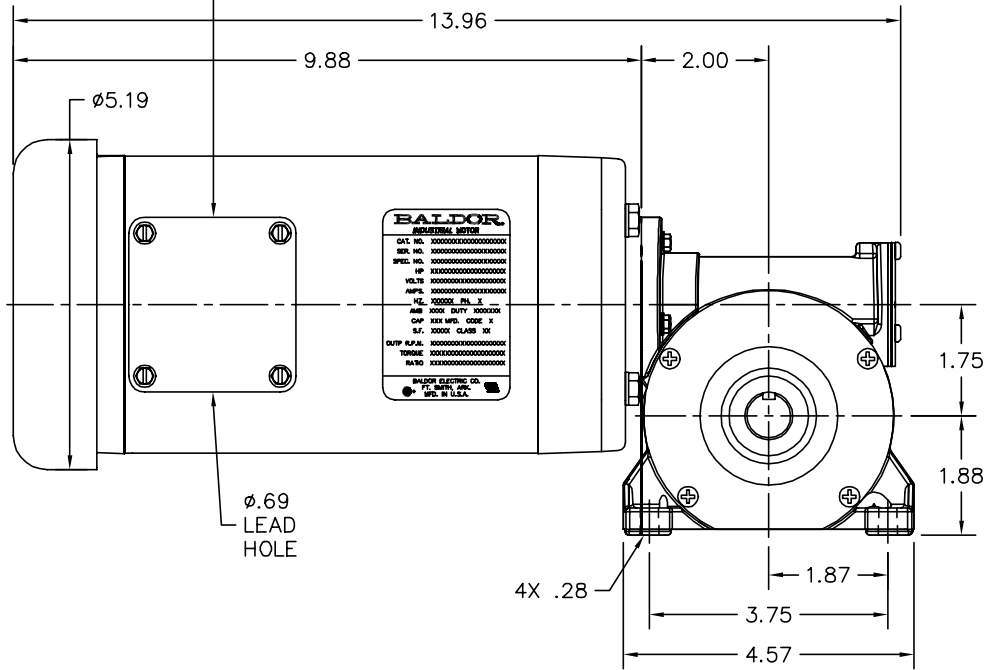
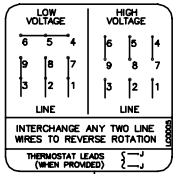
Product Detail							
Revision:	G	Status:	PRD/A	Change #:		Proprietary:	No
Type:		Prod Type:		Elec. Spec:		CD Diagram:	
Enclosure		Mfg Plant:		Mech Spec:		Layout:	33E282-0673K2
Frame:		Mounting:		Poles:		Created Date:	
Base:		Rotation:		Insulation:	B	Eff. Date:	10-16-2007
Leads:	9#18		Y			Replaced By:	
Nameplate NP1220A07							
CAT.NO.	GM3303						
SER.NO	DATE CODE						
SPEC.	33E282-0673K2						
HP	.4						
VOLTS	208-230/460						
AMP	2.1-2.38/1.19						
HZ	60			PH		3	
AMB.	40C			DUTY		CONT	
CAP				CODE		-	
SER.F.	1.0			CLASS		B	
R.P.M.	87						
TORQ/IN LB	200						
RATIO	20:1						
APRV-CSA				APRV-UL			

<b>Parts List</b>			
<b>Product ID</b>	<b>Description</b>	<b>Quantity</b>	<b>List Price</b>
SR001266	SR 33E282-0673K2	1.000	205.00
33E282-0673	.5HP,1725RPM,3PH,60HZ,42CZ,3320M,TEFC,F1	1.000	
HA6032A04	ADAPTER, MACH F/BOEHM MACH'D. FOR SEAL	1.000	43.00
10XN2520A16	1/4-20 X 1 HEX HEAD CAP SCR, ZINC PLATED	4.000	2.00
HW1001A25	LOCKWASHER 1/4, ZINC PLT .493 OD, .255 I	4.000	2.00
HW4600B91	SEAL, TCM #06132TB .625X1.375X.252	1.000	14.00
RM1057	RUBBER SQUARE RING 1.424 I.D.	1.000	2.00
WM0055A17	WORM,JH 20.0 INP PINNED ON (918 GEOME	1.000	90.00
MJ5019A01	ADHESIVE LOCTITE #680 WAS BAD4525	0.010	276.00
HW3081C06	3/32 X 5/8 GROOVE PIN TYPE A,THRU HARDEN	1.000	2.00
HG0039A04G	HSG,JK EX CLOSED W/ GRAY POWDER COAT	1.000	62.00
19XN1032A12	SCREW, HEX WASHER HEAD, #10-32 X .750	4.000	2.00
HA1194B01	BLADDER,CJK EXPANSION	1.000	15.00
15XM0632A06	SCREW, 6-32X .375, THREAD FORMING	3.000	2.00
HA4021A05	1/16 NPSF-HX SOC PIPE PLUG TAPER DRY SEA	1.000	2.00
HW5109A10	WASHER, WAVE SPRING FOR 47MM BORE SMALLE	1.000	2.00
BS0114A01G	BS,JH OP 6204STD OPEN W/ GRAY POWDER COA	1.000	34.00
BG6204C03	BEARING 0.787 X 1.850 X .551 SHIELD	1.000	30.00
HW5002A57	WALDES N5002-187 BEVELED 1.850	1.000	3.00
15XM0832A08	SCREW, 8-32X .500, THREAD FORMING	4.000	2.00
RM1020A21	O-RING,3.240 I.D. X .052 BUNA (PGS) BGA4	1.000	2.00
HW4600D39	SEAL, .750 X 1.250 X .250 SINGLE	1.000	2.00
HW2501D10	KEY, 3/16 SQ X 1.000	1.000	2.00
BMH4712	KEY LOCKING RING 3/4"	1.000	2.00

<b>Parts List (continued)</b>			
<b>Product ID</b>	<b>Description</b>	<b>Quantity</b>	<b>List Price</b>
MJ1000B02	KLUBERSYNTH GH6-460 GEAR OIL	0.030	215.00
MG3000G01	EPOXY POWDER, GREY CHARCOAL	0.010	37.00
MG1025G05	PAINT DRK MET.GRAY,W/ACTIVATOR	0.010	182.00
NP1220A07	NP,AC STD AD NONE V CSA UL GEAR MOTOR	1.000	
CPA1001	PACKING GROUP OVERSIZED SINGLE	1.000	19.00
LB1125A01SP	STOCK MTR CARTON LABEL LASER PRINTER	1.000	3.00

33E282-0673K2

CONNECTION LABEL  
UNDER C'BOX LID



CUSTOMER IS RESPONSIBLE FOR DETERMINING THAT MOTOR PERFORMANCE IS SUITABLE IN THE APPLICATION.

REV. DESC: CHG TO LC0005 LABEL		
REV. LTR: C	VERSION: 03	TDR: 000000474669
33E282-0673K2	FILE: \CKA\00024\923	REVISED: 10:01:24 08/21/2008
MTL: -	BY: CKPHIWO	

**BALDOR • DODGE • RELIANCE**

LY,33DC JH RSB TEFC GP NONE 918 GEARING

SH 1 of 2

33E282-0673K2