

BALDOR® • *RELIANCE*

Product Information Packet

GM3331

.16HP,3400RPM,3PH,60HZ,CA-1,2512M,TEFC

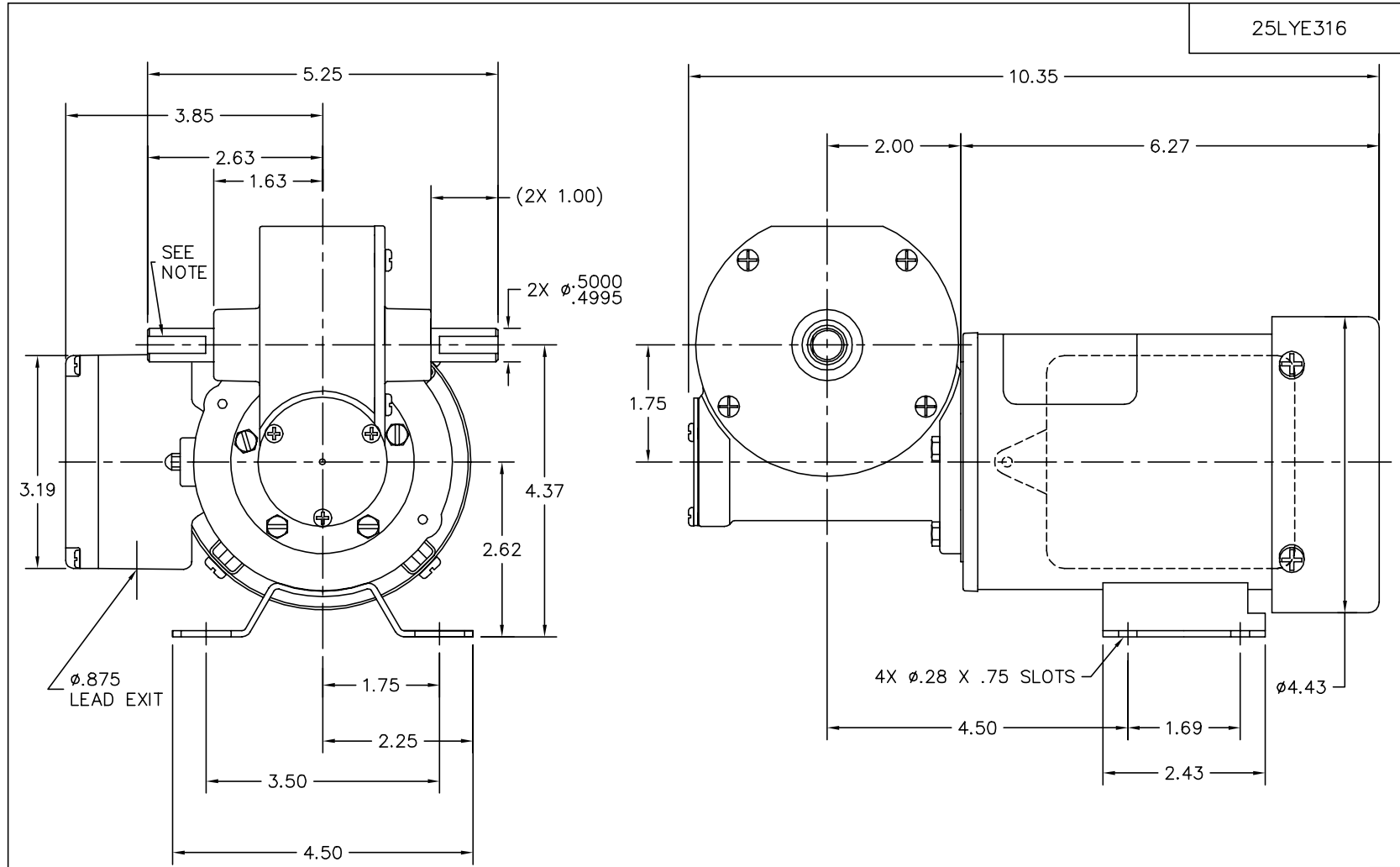
Product Detail							
Revision:	U	Status:	PRD/A	Change #:		Proprietary:	No
Type:	AC	Prod Type:	2512M	Elec. Spec:	25WGW219	CD Diagram:	CD0005A05
Enclosure	TEFC	Mfg Plant:		Mech Spec:		Layout:	25LYE316
Frame:	CA	Mounting:		Poles:	02	Created Date:	
Base:		Rotation:	R	Insulation:	F	Eff. Date:	10-16-2007
Leads:	9#18					Replaced By:	

Nameplate NP1220A07

CAT.NO.	GM3331						
SER.NO	DATE CODE						
SPEC.	25E316W219G1						
HP	.16 TE						
VOLTS	208-230/460						
AMP	.65/.33						
HZ	60				PH	3	
AMB.	40C				DUTY	CONT	
CAP					CODE	-	
SER.F.	1.00				CLASS	F	
R.P.M.	156						
TORQ/IN LB	42						
RATIO	22.5:1						
APRV-CSA					APRV-UL		

Parts List			
Product ID	Description	Quantity	List Price
SA068885	SA 25E316W219G1	1.000	323.00
RA062850	RA 25E316W219G1	1.000	270.00
SR000536	SR 25E316W219G1	1.000	82.00
LC0005	CONN.DIA.,TYPE M,9-LD,DUAL VOLTAGE,REVER	1.000	2.00
25EP3100A02	EP,25AC DE CL 60R8 1032 2.375 BC	1.000	51.00
HW5002A44	N5002-112 RET RING INTERNBEVELED F/6001	1.000	2.00
HW4600E07	SEAL,TRANSCOM #05112ASCW .500 X 1.125 X	1.000	2.00
HW5109A08	WASHER, WAVE SPRING FOR 30MM BORE SMALLE	1.000	3.00
WM0055A06	WORM,JC 22.5 INP	1.000	61.00
MJ5019A01	ADHESIVE LOCTITE #680 WAS BAD4525	0.001	276.00
HW3081C06	3/32 X 5/8 GROOVE PIN TYPE A,THRU HARDEN	1.000	2.00
25EP2101A18	EP,25AC ODE CL NONE 0.500 SHAFT EXIT	1.000	46.00
11XT0832G04	8-32 X 1/4 TY 23 TAPPING	1.000	2.00
25FH4003-PA	FAN COVER, 25F PAINTED	1.000	13.00
BFN3712	FAN,PM MOTOR STYLE R	1.000	19.00
BMH1544	SCREW,PAN 10-32 X 1/2"	4.000	2.00
24CB3500A	CONDUIT BOX LID - MODEL 24 W/ LOGO KENCO	1.000	7.00
24CB3000A	CONDUIT BOX - MODEL 24 KENCO	1.000	7.00
15XP0619A08	#6-19X1/2 PAN HD PHILLIPS PLASTITE 48-2	4.000	2.00
XY0632A04	NUT, #6-32 ACORN, HIGH CROWN	1.000	2.00
XY0632A05	NUT, #6-32 SELF LOCKING	2.000	2.00
HA3170A04	THRUBOLT,FLAT HD. #8-32 THDS X 5.500 LON	2.000	3.00
HG0042A01G	HSG,CA EX OPEN W/ GRAY POWDER COAT	1.000	77.00
BH1104	BRG-SLEEVE, .500 ID X .500 WIDE	1.000	15.00

Parts List (continued)			
Product ID	Description	Quantity	List Price
RM1057	RUBBER SQUARE RING 1.424 I.D.	1.000	2.00
19XN1032A12	SCREW, HEX WASHER HEAD, #10-32 X .750	4.000	2.00
HA4021A05	1/16 NPSF-HX SOC PIPE PLUG TAPER DRY SEA	1.000	2.00
15XM0832A08	SCREW, 8-32X .500, THREAD FORMING	4.000	2.00
HA1194B01	BLADDER,CJK EXPANSION	1.000	15.00
15XM0632A06	SCREW, 6-32X .375, THREAD FORMING	3.000	2.00
HW4600C29	SEAL, TCM #0507416 SCW .50X.75X.165 RB	1.000	3.00
BCG4172-002G	BS,C OP .5941 W/ GRAY POWDWER COAT	1.000	25.00
BH1104	BRG-SLEEVE, .500 ID X .500 WIDE	1.000	15.00
HW4600C29	SEAL, TCM #0507416 SCW .50X.75X.165 RB	1.000	3.00
RM1020A21	O-RING,3.240 I.D. X .052 BUNA (PGS) BGA4	1.000	2.00
MG3000G01	EPOXY POWDER, GREY CHARCOAL	0.010	37.00
MJ1000A41	SYN-TECH GREASE NS-2795-G	0.210	48.00
NP1220A07	NP,AC STD AD NONE V CSA UL GEAR MOTOR	1.000	
CPA1000	PACKING GROUP STD. SINGLE	1.000	7.00
LB1125C01	STD (STOCK) CARTON LABEL BALDOR WITH FLA	1.000	2.00



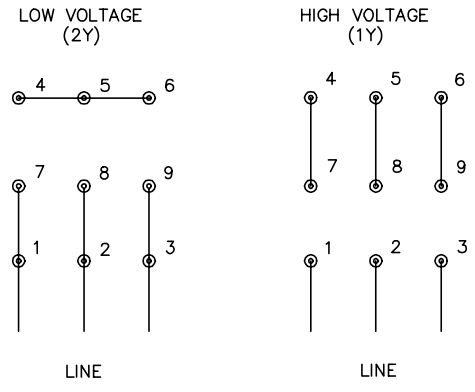
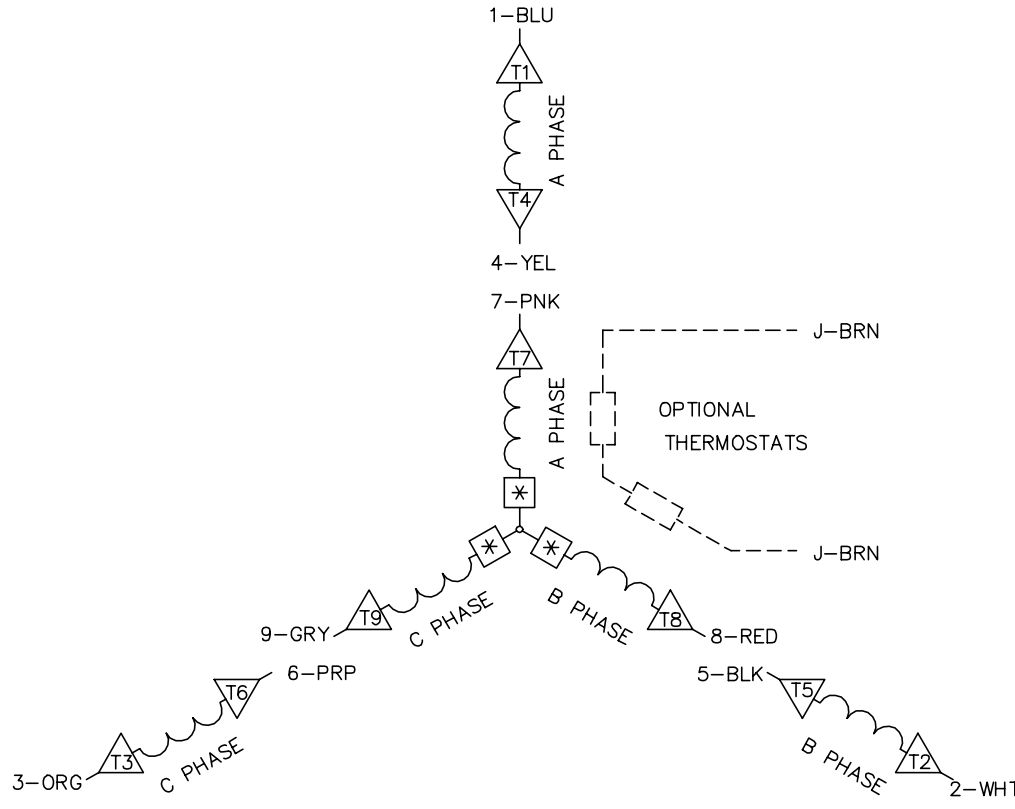
CUSTOMER IS RESPONSIBLE FOR DETERMINING THAT MOTOR PERFORMANCE IS SUITABLE IN THE APPLICATION.

REV. DESC: CHG TO USE 25BA4016			
REV. LTR: B	BY: RS	REVISED: 08:35:05 02/20/2003	TDR: 278409
912316		FILE: CKA0001444	REF: 25LYE316
		MTL: -	

BALDOR ELECTRIC Co.	
LAYOUT,25 JC TEFC NONE DBL EXT. W\BASE & C\BOX	

25LYE316

CD0005A05



- NOTES:
1. INTERCHANGE ANY TWO LINE LEADS TO REVERSE ROTATION.
 2. OPTIONAL THERMOSTATS ARE PROVIDED WHEN SPECIFIED.
 3. ACTUAL NUMBER OF INTERNAL PARALLEL CIRCUITS MAY BE A MULTIPLE OF THOSE SHOWN ABOVE.
 4. LEAD COLORS ARE OPTIONAL. LEADS MUST ALWAYS BE NUMBERED AS SHOWN.
 5. =MAGNET WIRE COIL END WITH I.D. NUMBER.
 6. =MAGNET WIRE COIL END WITH I.D. SYMBOL.
 7. SEE CW PRINT FOR NEST TO NEST CROSSOVER CONNECTIONS.

REV. DESC: ADD NEST NOTE			
REV. LTR: C	VERSION: 03	TDR: 000000445597	
CD0005A05	FILE: \CKA\00024\847	REVISED: 12:51:06 11/15/2007	
	MTL: -	BY: CKMICRO	

BALDOR • DODGE • RELIANCE

3PH, DV, 9 LEADS, CK

CD0005A05