

BALDOR® • ***RELIANCE***

Product Information Packet

GM3338

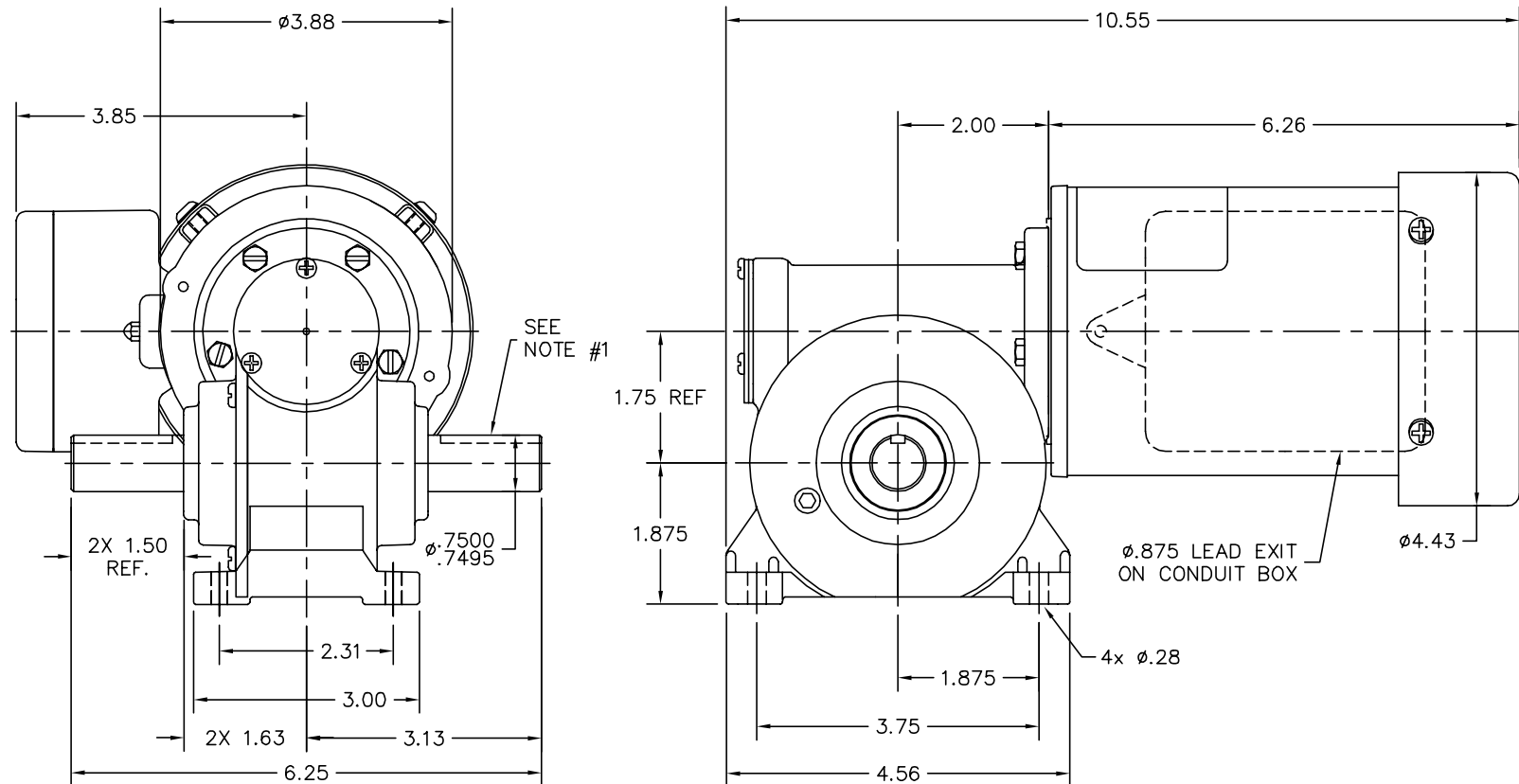
.25HP,3450RPM,3PH,60HZ,JK-1,2520M,TEFC

Product Detail							
Revision:	N	Status:	PRD/A	Change #:		Proprietary:	No
Type:	AC	Prod Type:	2520M	Elec. Spec:	25WGW002	CD Diagram:	CD0005A05
Enclosure	TEFC	Mfg Plant:		Mech Spec:		Layout:	25LYE314
Frame:	JK	Mounting:		Poles:	02	Created Date:	
Base:		Rotation:	R	Insulation:	F	Eff. Date:	06-16-2008
Leads:	9#18					Replaced By:	
Nameplate NP1220A07							
CAT.NO.	GM3338						
SER.NO							
SPEC.	25E314W002G1						
HP	.25 TE						
VOLTS	200-230/460						
AMP	.96-0.99/.5						
HZ	60	PH				3	
AMB.	40C	DUTY				CONT	
CAP		CODE				M	
SER.F.	1.0	CLASS				F	
R.P.M.	104						
TORQ/IN LB	75						
RATIO	33:1						
APRV-CSA				APRV-UL			

Parts List			
Product ID	Description	Quantity	List Price
SA069312	SA 25E314W002G1	1.000	374.00
RA063269	RA 25E314W002G1	1.000	312.00
SR000551	SR 25E314W002G1	1.000	115.00
LC0005	CONN.DIA.,TYPE M,9-LD,DUAL VOLTAGE,REVER	1.000	2.00
25EP3100A24	EP,25AC DE CL 60R8 2.375 WSPL TIE BOLT	1.000	52.00
HW5002A44	N5002-112 RET RING INTERNBEVELED F/6001	1.000	2.00
HW4600E07	SEAL,TRANSCOM #05112ASCW .500 X 1.125 X	1.000	2.00
25EP2101A97	EP,25AC ODE CL NONE 0.500 SHAFT EXIT & O	1.000	63.00
HW5109A08	WASHER, WAVE SPRING FOR 30MM BORE SMALLE	1.000	3.00
HG0039A01G	HSG,J EP OPEN FOR SEAL W/GRAY POWDER	1.000	62.00
RM1057	RUBBER SQUARE RING 1.424 I.D.	1.000	2.00
19XN1032A12	SCREW, HEX WASHER HEAD, #10-32 X .750	4.000	2.00
BS0114A03G	BS,J OP 6204STD OPEN NO SNAP RING	1.000	34.00
15XM0832A08	SCREW, 8-32X .500, THREAD FORMING	4.000	2.00
RM1020A21	O-RING,3.240 I.D. X .052 BUNA (PGS) BGA4	1.000	2.00
HW4600D39	SEAL, .750 X 1.250 X .250 SINGLE	2.000	2.00
HA1194B01	BLADDER,CJK EXPANSION	1.000	15.00
15XM0632A06	SCREW, 6-32X .375, THREAD FORMING	3.000	2.00
HW2501D10	KEY, 3/16 SQ X 1.000	2.000	2.00
BMH4712	KEY LOCKING RING 3/4"	2.000	2.00
24CB3000A	CONDUIT BOX - MODEL 24 KENCO	1.000	7.00
24CB3500A	CONDUIT BOX LID - MODEL 24 W/ LOGO KENCO	1.000	7.00
XY0632A04	NUT, #6-32 ACORN, HIGH CROWN	1.000	2.00
XY0632A05	NUT, #6-32 SELF LOCKING	2.000	2.00

Parts List (continued)			
Product ID	Description	Quantity	List Price
15XP0619A08	#6-19X1/2 PAN HD PHILLIPS PLASTITE 48-2	4.000	2.00
HA3170A23	THRUBOLT,FLAT HD. #8-32 THDS X 5.625 LON	2.000	3.00
MG3000G01	EPOXY POWDER, GREY CHARCOAL	0.010	37.00
MJ1000B02	KLUBERSYNTH GH6-460 GEAR OIL	0.030	215.00
HA4021A05	1/16 NPSF-HX SOC PIPE PLUG TAPER DRY SEA	1.000	2.00
51XT0832G05	SCREW,HEX HD 8-32 X 5/16 GRN.	1.000	
25FH4003-PA	FAN COVER, 25F PAINTED	1.000	13.00
BFN3712	FAN,PM MOTOR STYLE R	1.000	19.00
BMH1544	SCREW,PAN 10-32 X 1/2"	4.000	2.00
MJ5019A01	ADHESIVE LOCTITE #680 WAS BAD4525	0.010	276.00
NP1220A07	NP,AC STD AD NONE V CSA UL GEAR MOTOR	1.000	
CPA1000	PACKING GROUP STD. SINGLE	1.000	7.00
LB1125C01	STD (STOCK) CARTON LABEL BALDOR WITH FLA	1.000	2.00
PK3090	2" X 7 1/8 X 6 1/2" CRADLE VIN#1665500	1.000	2.00

25LYE314



NOTES:

1.) KEYWAY: .188 X .094 X 1.250

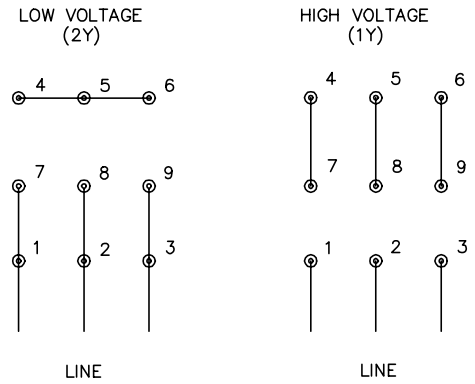
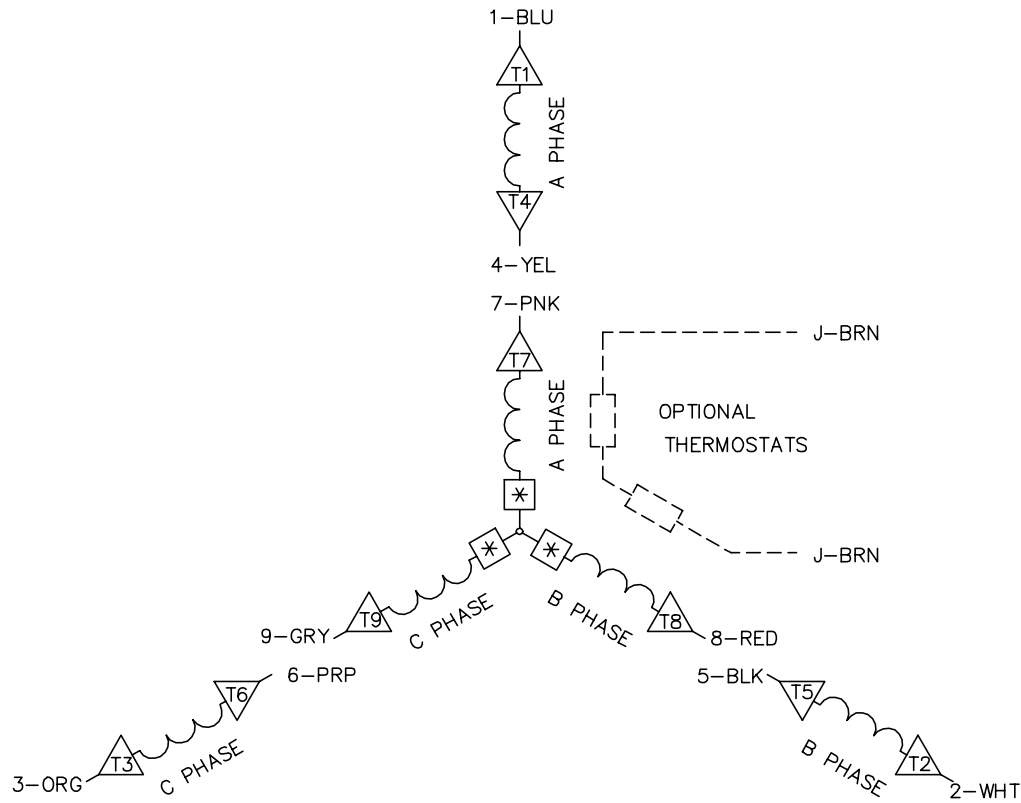
CUSTOMER IS RESPONSIBLE FOR DETERMINING THAT MOTOR PERFORMANCE IS SUITABLE IN THE APPLICATION.

REV. DESC: ADD NOTE#1 & XREF CORRECT PARTS INTO LAYOUT			
REV. LTR: B	BY: PAW	REVISED: 13:15:36 03/07/2002	TDR: 243384
25LYE314		FILE: CKA00014437	REF: 25LYE314
		MTL: -	

BALDOR ELECTRIC Co.	
LAYOUT,25 J	TEFC GP EXTEN .75 1.50 KEY

25LYE314

CD0005A05



- NOTES:
1. INTERCHANGE ANY TWO LINE LEADS TO REVERSE ROTATION.
 2. OPTIONAL THERMOSTATS ARE PROVIDED WHEN SPECIFIED.
 3. ACTUAL NUMBER OF INTERNAL PARALLEL CIRCUITS MAY BE A MULTIPLE OF THOSE SHOWN ABOVE.
 4. LEAD COLORS ARE OPTIONAL. LEADS MUST ALWAYS BE NUMBERED AS SHOWN.
 5. =MAGNET WIRE COIL END WITH I.D. NUMBER.
 6. =MAGNET WIRE COIL END WITH I.D. SYMBOL.
 7. SEE CW PRINT FOR NEST TO NEST CROSSOVER CONNECTIONS.

REV. DESC: ADD NEST NOTE			
REV. LTR: C	VERSION: 03	TDR: 000000445597	
CD0005A05	FILE: \CKA\00024\847	REVISED: 12:51:06 11/15/2007	
	MTL: -	BY: CKMICRO	

BALDOR • DODGE • RELIANCE

3PH, DV, 9 LEADS, CK

CD0005A05