

BALDOR® • *RELIANCE*

Product Information Packet

GM3345

.2/.25HP, 1400RPM, 3PH, 50/60HZ, K-1, 2524M

Product Detail

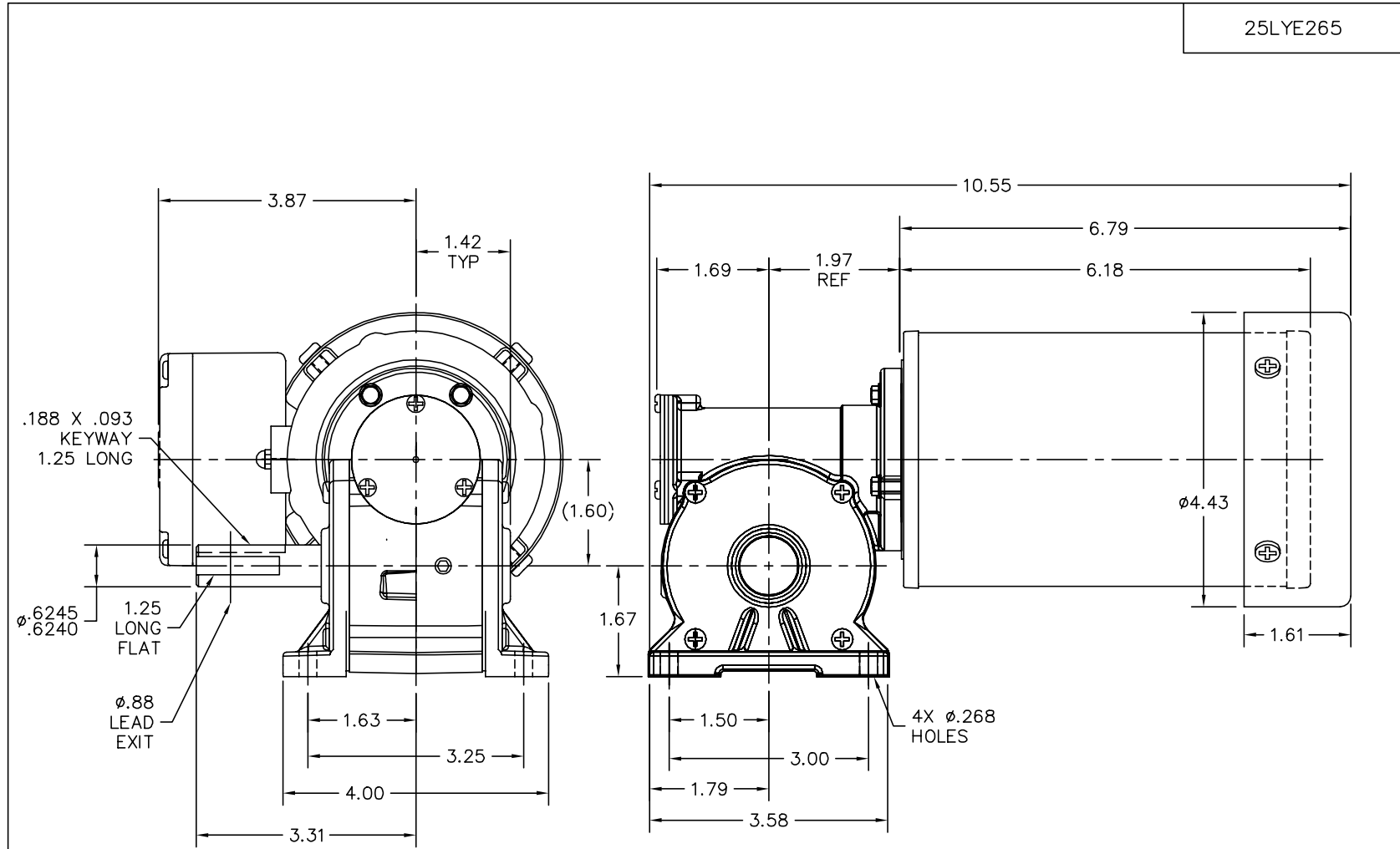
Revision:	V	Status:	PRD/A	Change #:		Proprietary:	No
Type:	AC	Prod Type:	2524M	Elec. Spec:	25WGW200	CD Diagram:	CD0005A05
Enclosure	TEFC	Mfg Plant:		Mech Spec:		Layout:	25LYE265
Frame:	K	Mounting:		Poles:	04	Created Date:	
Base:		Rotation:	R	Insulation:	F	Eff. Date:	07-18-2008
Leads:	9#18					Replaced By:	

Nameplate NP1220A05

CAT.NO.	GM3345		
SER.NO	DATE CODE		
SPEC.	25E265W200G4		
HP	.2//.25 TE		
VOLTS	190/380//208-230/460		
AMP	1.08/.54//1-1.10/.55		
HZ	50//60	PH	3
AMB.	40C	DUTY	CONT
CAP		CODE	-
SER.F.	1.00	CLASS	F
SF AMP			
R.P.M.	70//85		
TORQ/IN LB	112		
RATIO	20:1		
APRV-CE		APRV-CSA	
			APRV-UL

Parts List			
Product ID	Description	Quantity	List Price
SA060678	SA 25E265W200G4	1.000	371.00
RA055012	RA 25E265W200G4	1.000	310.00
SR000448	SR 25E265W200G4	1.000	150.00
LC0005	CONN.DIA.,TYPE M,9-LD,DUAL VOLTAGE,REVER	1.000	2.00
HA3170A06	THRUBOLT, FLAT HD. #8-32 6.125 LONG	2.000	3.00
25EP3100A08	EP,25AC DE CL 60R8 RA 2.375 BC	1.000	52.00
HW5109A08	WASHER, WAVE SPRING FOR 30MM BORE SMALLE	1.000	3.00
HW5002A44	N5002-112 RET RING INTERNBEVELED F/6001	1.000	2.00
HW4600E07	SEAL,TRANSCOM #05112ASCW .500 X 1.125 X	1.000	2.00
25EP2101A18	EP,25AC ODE CL NONE 0.500 SHAFT EXIT	1.000	46.00
51XT0832G05	SCREW,HEX HD 8-32 X 5/16 GRN.	1.000	
25FH4003-PA	FAN COVER, 25F PAINTED	1.000	13.00
BFN3712	FAN,PM MOTOR STYLE R	1.000	19.00
BMH1544	SCREW,PAN 10-32 X 1/2"	4.000	2.00
HG0048A01G	HSG,K EX	1.000	63.00
BS0141A01G	HSG,K CAP W/FOOT OPEN SNAP RING 2X .2	1.000	60.00
BS0141A02G	HSG,K CAP W/FOOT CLOSED NO SNAP RING	1.000	55.00
HA4021A05	1/16 NPSF-HX SOC PIPE PLUG TAPER DRY SEA	1.000	2.00
BG6203A01	6203 OPEN,C3,SLUSH	1.000	6.00
BG6203A01	6203 OPEN,C3,SLUSH	1.000	6.00
HW5002A51	RET RING N5002 - 156 (WALDES) BEVELED 40	1.000	7.00
HW5100A03SP	WAVY WASHER (W1543-017)	1.000	2.00
15XM0832A10	SCREW, 8-32X .625, THREAD FORMING	8.000	2.00
HW4600D29	SEAL, TCM #060871SC-G (.625" X .875"	1.000	12.00

Parts List (continued)			
Product ID	Description	Quantity	List Price
RM1056	RUBBER SQUARE RING 2.739 I.D.	2.000	2.00
HA1194B01	BLADDER,CJK EXPANSION	1.000	15.00
15XM0632A06	SCREW, 6-32X .375, THREAD FORMING	3.000	2.00
RM1057	RUBBER SQUARE RING 1.424 I.D.	1.000	2.00
19XN1032A12	SCREW, HEX WASHER HEAD, #10-32 X .750	4.000	2.00
BMH1910	KEY 3/16X3/16X1 1/8 AUTO X	1.000	2.00
HA7000A04	KEY RETAINER 0.625 DIA SHAFTS	1.000	2.00
HA2250	SPACER, FOR "K" BOX WORM GEAR AUTOMATED	1.000	6.00
MG3000G01	EPOXY POWDER, GREY CHARCOAL	0.010	37.00
24CB3000A	CONDUIT BOX - MODEL 24 KENCO	1.000	7.00
24CB3500A	CONDUIT BOX LID - MODEL 24 W/ LOGO KENCO	1.000	7.00
XY0632A05	NUT, #6-32 SELF LOCKING	2.000	2.00
XY0632A04	NUT, #6-32 ACORN, HIGH CROWN	1.000	2.00
15XP0619A08	#6-19X1/2 PAN HD PHILLIPS PLASTITE 48-2	4.000	2.00
MJ5019A01	ADHESIVE LOCTITE #680 WAS BAD4525	0.010	276.00
MJ1000B02	KLUBERSYNTH GH6-460 GEAR OIL	0.024	215.00
NP1220A05	NP,AC STD AD NONE V CE CSA UL GEAR MOTOR	1.000	
LB5040	INSTRUCTION TAG, AC & DC	1.000	2.00
CPA1000	PACKING GROUP STD. SINGLE	1.000	7.00
LB1125C01	STD (STOCK) CARTON LABEL BALDOR WITH FLA	1.000	2.00
MG2000A14	RUST VETO 342 RUST INHIBITOR	0.001	222.00



25LYE265

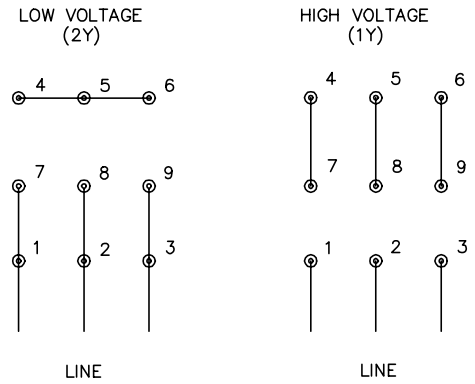
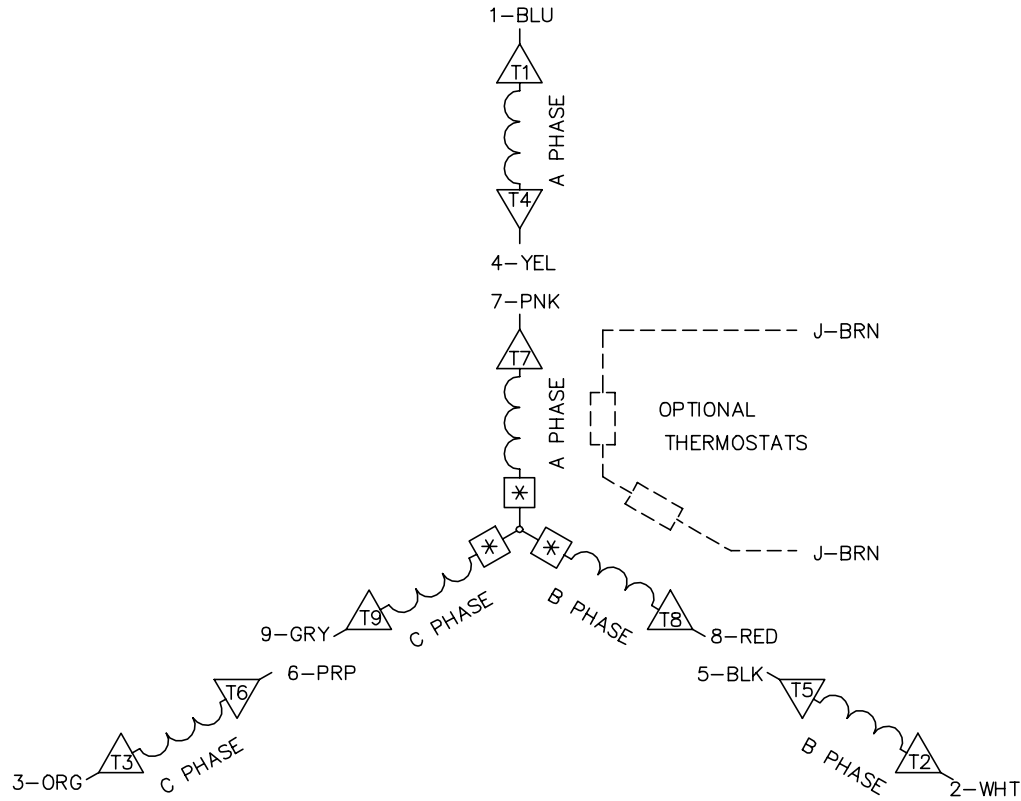
CUSTOMER IS RESPONSIBLE FOR DETERMINING THAT MOTOR PERFORMANCE IS SUITABLE IN THE APPLICATION.

REV. LTR: A				BY: MAD		REVISED: 08:33:37 10/25/2004		TDR: 346837	
G9Z3A 7Z				FILE: CKA00012679		REF: 25LYE265		MTL: -	

BALDOR ELECTRIC Co.	
LAYOUT,25 K	TENV GP NONE 1.88 .625 KEY & FLAT

25LYE265

CD0005A05



- NOTES:
1. INTERCHANGE ANY TWO LINE LEADS TO REVERSE ROTATION.
 2. OPTIONAL THERMOSTATS ARE PROVIDED WHEN SPECIFIED.
 3. ACTUAL NUMBER OF INTERNAL PARALLEL CIRCUITS MAY BE A MULTIPLE OF THOSE SHOWN ABOVE.
 4. LEAD COLORS ARE OPTIONAL. LEADS MUST ALWAYS BE NUMBERED AS SHOWN.
 5. =MAGNET WIRE COIL END WITH I.D. NUMBER.
 6. =MAGNET WIRE COIL END WITH I.D. SYMBOL.
 7. SEE CW PRINT FOR NEST TO NEST CROSSOVER CONNECTIONS.

REV. DESC: ADD NEST NOTE			
REV. LTR: C	VERSION: 03	TDR: 000000445597	
CD0005A05	FILE: \CKA\00024\847	REVISED: 12:51:06 11/15/2007	
	MTL: -	BY: CKMICRO	

BALDOR • DODGE • RELIANCE

3PH, DV, 9 LEADS, CK

CD0005A05