

BALDOR® • *RELIANCE*

Product Information Packet

GMP3344

.5HP,1725RPM,3PH,60HZ,PSLH,3320M,TEFC,N

Product Detail							
Revision:	P	Status:	PRD/A	Change #:		Proprietary:	No
Type:	AC	Prod Type:	3320M	Elec. Spec:	33WG0673	CD Diagram:	CD0005A05
Enclosure	TEFC	Mfg Plant:		Mech Spec:		Layout:	33E592-0673K3
Frame:	PSLH	Mounting:		Poles:	04	Created Date:	02-28-2006
Base:		Rotation:	R	Insulation:	F	Eff. Date:	04-28-2008
Leads:	9#18					Replaced By:	

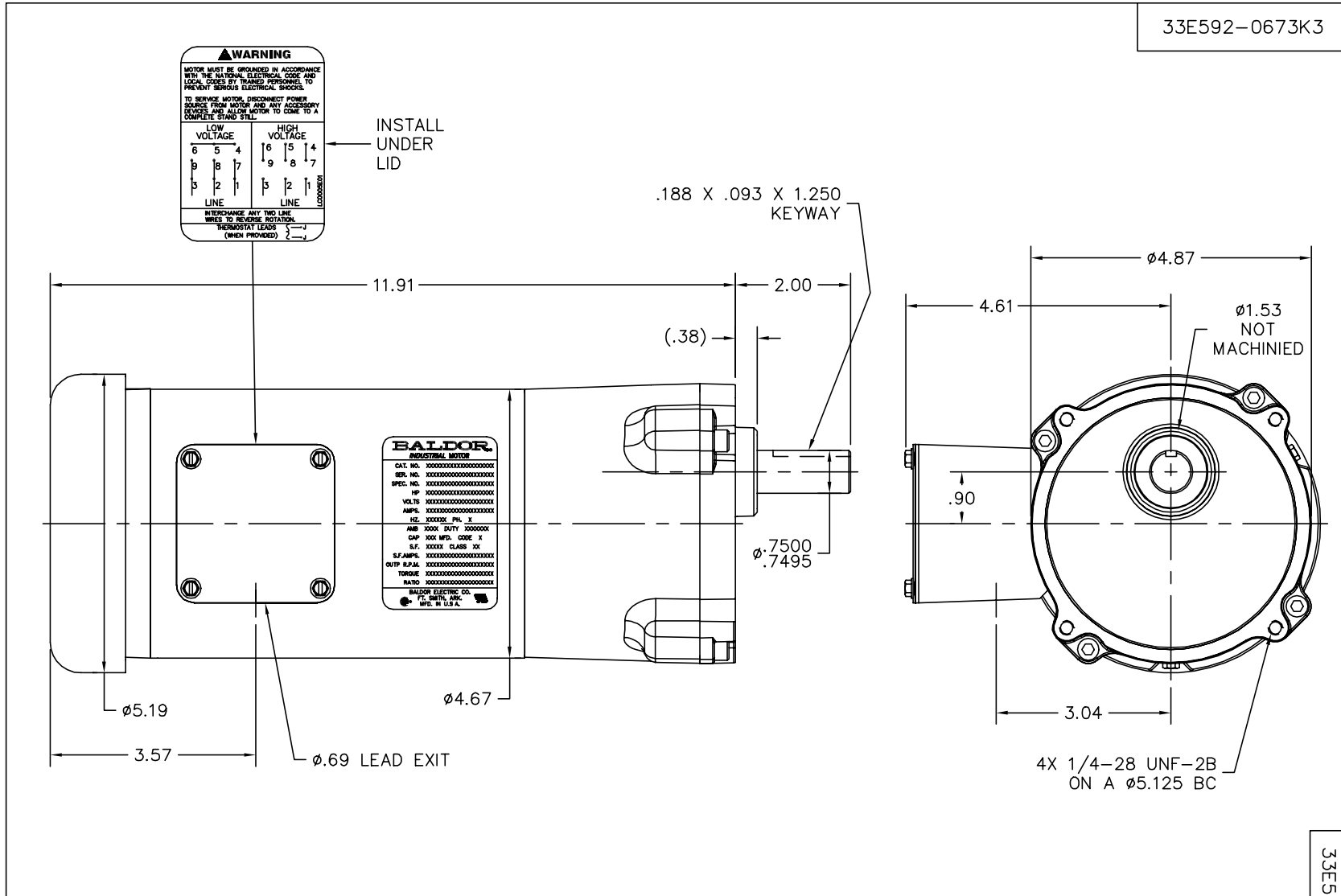
Nameplate NP1220A07

CAT.NO.	GMP3344						
SER.NO							
SPEC.	33E592-0673K3						
HP	.5 TE						
VOLTS	208-230/460						
AMP	2.2-2.6/1.3						
HZ	60				PH	3	
AMB.	40C				DUTY	CONT	
CAP					CODE	-	
SER.F.	1.00				CLASS	F	
R.P.M.	86						
TORQ/IN LB	326						
RATIO	20:1						
APRV-CSA					APRV-UL		

Parts List			
Product ID	Description	Quantity	List Price
SA142315	SA 33E592-0673K3	1.000	411.00
RA131538	RA 33E592-0673K3	1.000	357.00
HG0076A01CG	HSG,PSL EP 33AC LONG HOUSING	1.000	91.00
BMH1715	WASHER,PREC 1.256"X17/32"X.01"	2.000	2.00
HW5002A95	N5002-125 32MM BEVELED INTERNAL RET RING	1.000	4.00
HW4600D28	SEAL,10X20X4MM TCM #03907815PSCW	1.000	2.00
HA4021A05	1/16 NPSF-HX SOC PIPE PLUG TAPER DRY SEA	1.000	2.00
HW3064E05	1/8 X 1/2 PIN DRIVE LOK TYPE H	1.000	2.00
34CB3002A64	CB W/.69 DIA @ 6	1.000	11.00
34GS1029A01	GASKET, CONDUIT BOX	1.000	2.00
51XB1016A07	10-16 X 7/16 HXWSSLD SERTYB	2.000	2.00
11XT1032G06	10-32X3/8 HX WSHR HD,SLTDTYPE 23,GREEN	1.000	1.00
34CB4517	CB LID 4 MTG HOLES .22 DIA STAMPED, FOR	1.000	5.00
34GS1031A01	GASKET, FLAT CONDUIT BOX LID (LEXIDE)	1.000	2.00
51XW0832A07	8-32 X .44, TAPTITE II, HEX WSHR SLTD SE	4.000	2.00
33EP3100A01SP	EP,33AC ODE GP 6203 TEFC W/DRAIN	1.000	52.00
HW5100A03SP	WAVY WASHER (W1543-017)	1.000	2.00
HA3100A83	THRUBOLT 10-32 X 7.250"	2.000	2.00
33FN3000SP	EXTERNAL FAN, PLASTIC	1.000	16.00
12XN0832A16	8-32 X 1.00" SLT HEX HD ZINC PLATED	1.000	2.00
HW1003A08	WASHER, #8 EX TH LK, ZN (F/S)	1.000	2.00
XY0832A02	8-32 HEX NUT	1.000	2.00
33FH4000A01SP	FAN COVER, STAMPED	1.000	35.00
11XT1032A06	10-32 X 3/8 HX WSHR HD SLTD TYPE 23	3.000	2.00

Parts List (continued)			
Product ID	Description	Quantity	List Price
BGS01220	SHAFT,ASSY PSLH LONG INT1 2RED 4.0/5.0	1.000	151.00
BGS01221	SHAFT,ASSY PSLH LONG OUTP 2RED 0.0/4.0	1.000	173.00
CG0012A01CG	CAP, PSL GEAR HEAD	1.000	70.00
RM1020A22	O-RING .070 X 4.527	1.000	2.00
HW4600D39	SEAL, .750 X 1.250 X .250 SINGLE	1.000	2.00
BH1163A03	BRG,SCE1212 INA NEEDLE ROLLER BBG1027	1.000	17.00
60XM2520A12	SCREW,PAN TORX 1/4-20X.750 THREAD FORMIN	4.000	2.00
BMH1910	KEY 3/16X3/16X1 1/8 AUTO X	1.000	2.00
BMH4712	KEY LOCKING RING 3/4"	1.000	2.00
MJ1000B02	KLUBERSYNTH GH6-460 GEAR OIL	0.112	215.00
MG3000G01	EPOXY POWDER, GREY CHARCOAL	0.030	37.00
MG1000G28SPP	S-9282E CHARCOAL GREY 5GAHAZARDIOUS CHEM	0.030	231.00
NP1220A07	NP,AC STD AD NONE V CSA UL GEAR MOTOR	1.000	
LC0005E01	CONN.DIA./WARNING LABEL (LC0005/LB1119)	1.000	2.00
LB1125C01	STD (STOCK) CARTON LABEL BALDOR WITH FLA	1.000	2.00
CPA1001	PACKING GROUP OVERSIZED SINGLE	1.000	19.00

33E592-0673K3



CUSTOMER IS RESPONSIBLE FOR DETERMINING THAT MOTOR PERFORMANCE IS SUITABLE IN THE APPLICATION.

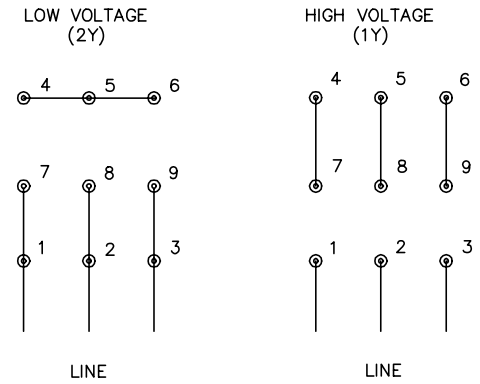
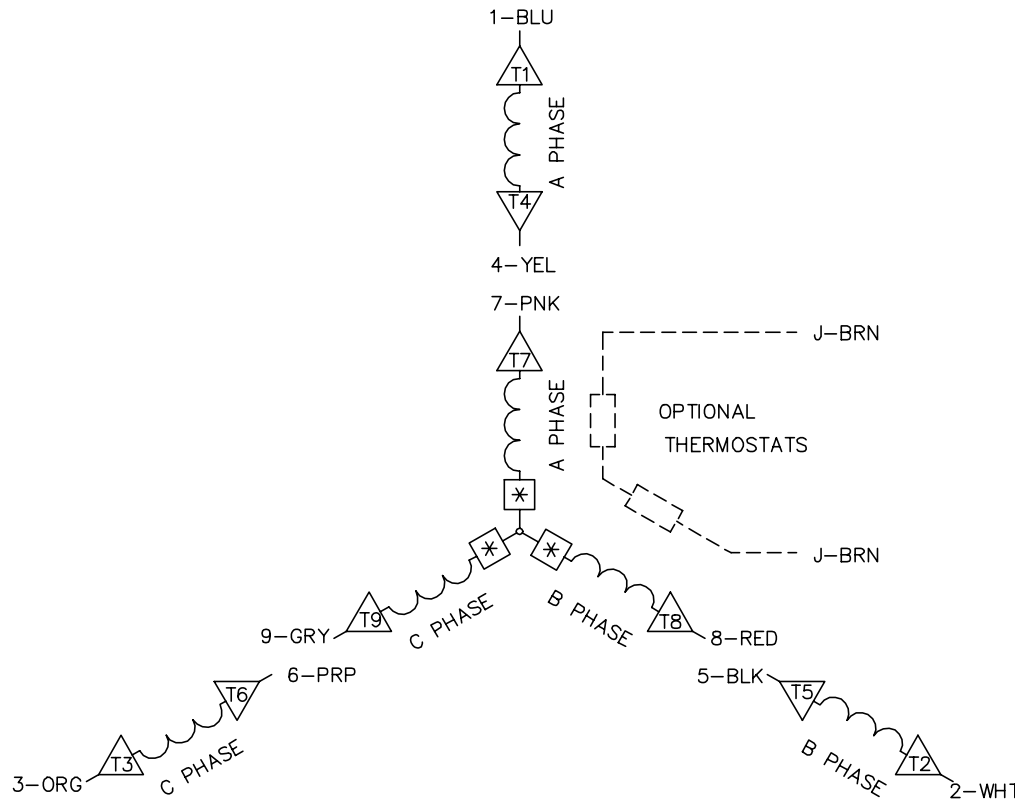
REV. DESC: NEW		
REV. LTR: -	VERSION: 00	TDR: 000000389978
Σ3E592-0673K3	FILE: \CKA\00029\421	REVISED: 07:34:45 02/28/2006
MTL: -	BY: CKMARD0	

BALDOR ELECTRIC Co.

LY,33AC PSLH RSB TEFC .75 X 2.00 EXTENSION

33E592-0673K3

CD0005A05



- NOTES:
1. INTERCHANGE ANY TWO LINE LEADS TO REVERSE ROTATION.
 2. OPTIONAL THERMOSTATS ARE PROVIDED WHEN SPECIFIED.
 3. ACTUAL NUMBER OF INTERNAL PARALLEL CIRCUITS MAY BE A MULTIPLE OF THOSE SHOWN ABOVE.
 4. LEAD COLORS ARE OPTIONAL. LEADS MUST ALWAYS BE NUMBERED AS SHOWN.
 5. =MAGNET WIRE COIL END WITH I.D. NUMBER.
 6. =MAGNET WIRE COIL END WITH I.D. SYMBOL.
 7. SEE CW PRINT FOR NEST TO NEST CROSSOVER CONNECTIONS.

REV. DESC: ADD NEST NOTE		
REV. LTR: C	VERSION: 03	TDR: 000000445597
CD0005A05	FILE: \CKA\00024\847	REVISED: 12:51:06 11/15/2007
	MTL: -	BY: CKMICRO

BALDOR • DODGE • RELIANCE

3PH, DV, 9 LEADS, CK

CD0005A05