

BALDOR® • *RELIANCE*

Product Information Packet

GP233028

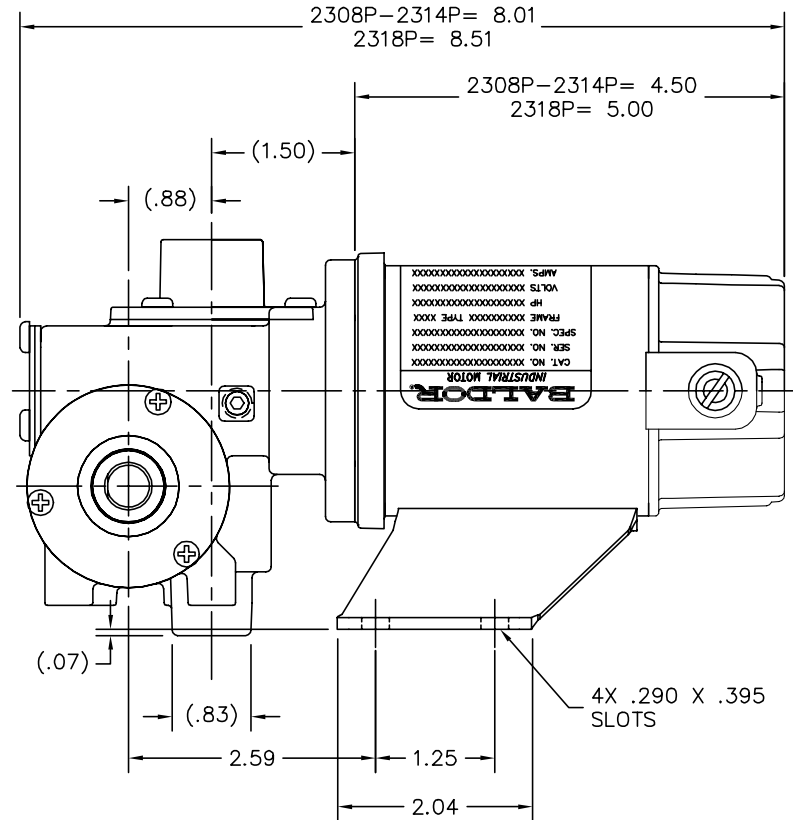
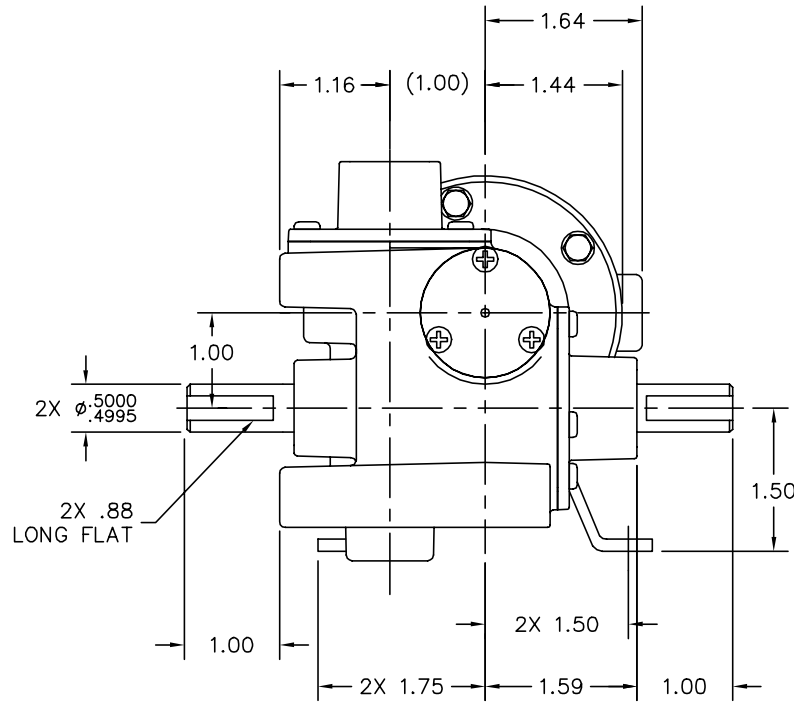
..01kw,8.5rpm,2314P-DA TENV 180vdc

Product Detail							
Revision:	Z	Status:	PRD/A	Change #:		Proprietary:	No
Type:	DC	Prod Type:		Elec. Spec:	23WGZ008	CD Diagram:	CD1899
Enclosure	TENV	Mfg Plant:		Mech Spec:		Layout:	23LYA005
Frame:	DA	Mounting:		Poles:		Created Date:	
Base:		Rotation:		Insulation:	F	Eff. Date:	07-09-2008
Leads:	2#18					Replaced By:	
Nameplate NP1220A08							
CAT.NO.	GP233028						
SER.NO	DATE CODE						
SPEC.	23A005Z008G4						
FRAME	DA	TYPE				2314P	
HP	1/22 TE						
VOLTS	180DC						
AMP	.26						
F.F.	1.45	CLASS				F	
AMB.	40C	DUTY				CONT	
BRUSHES	2/BP5060BF02						
R.P.M.	8.5						
TORQ/IN LB	66						
RATIO	310:1						
APRV-CE					APRV-CUL		

Parts List			
Product ID	Description	Quantity	List Price
SA048849	SA 23A005Z008G4	1.000	277.00
AA005482	AA 23A005Z008G4	1.000	277.00
SR000242	SR 23A005Z008G4	1.000	77.00
WR000074	WR 23A005Z008G4	1.000	120.00
BP5060BF02SP	1/8X3/16 GRD A252 BRUSH CARBONE#BAL-40	1.000	28.00
23EP3101A02	EP,23DC DE CL 6200 RA 2.375	1.000	54.00
HW3022A04	PIN,ROLL 1/16" X 3/8" BMH1433	1.000	2.00
HW5002A45	WALDES TRUARC N5002-118 RETAINING RING	1.000	4.00
HW4600D28	SEAL,10X20X4MM TCM #03907815PSCW	1.000	2.00
23SH0446B01	SH,ARM B 23 14	1.000	32.00
23BA4001-PA	23BA4001-PAINTED	1.000	17.00
96XN1032A05	10-32X5/16 FLAT HD PHLPS DRV	2.000	2.00
23EP3108A01	EP,23DC ODE CL 0.63 P4	1.000	39.00
WD4102A01	SR-6L-1 HEYCO STRN RELIEF OR 23MPO6L10 M	1.000	2.00
HW5109A06	WASHER, WAVE SPRING FOR 22MM BORE SMALLE	1.000	4.00
55XT0632G03	6-32 X 0.187 RD HD PHILLIPS, SERRATED	1.000	2.00
HA3170A09	THRUBOLT,FLAT HD. #8-32 THDS X 4.187 LON	2.000	2.00
HG0058A02L	HSG,DA EX OPEN OUTPUT NO FEET HOLES	1.000	121.00
19XN1032A09	SCREW, HEX WASHER HEAD, #10-32 X .563 W/	4.000	2.00
RM1057	RUBBER SQUARE RING 1.424 I.D.	1.000	2.00
HA4021A05	1/16 NPSF-HX SOC PIPE PLUG TAPER DRY SEA	1.000	2.00
HW4600C29	SEAL, TCM #0507416 SCW .50X.75X.165 RB	1.000	3.00
BH1104	BRG-SLEEVE, .500 ID X .500 WIDE	2.000	15.00
HA1194B02	BLADDER,BDE EXPANSION	1.000	14.00

Parts List (continued)			
Product ID	Description	Quantity	List Price
15XM0632A06	SCREW, 6-32X .375, THREAD FORMING	3.000	2.00
BCG1123-005L	BS,D OP BUSHING	1.000	30.00
BH1104	BRG-SLEEVE, .500 ID X .500 WIDE	1.000	15.00
HA4032A01	STEEL CAP,.750"OD(HERSHEYWAS BSE1567	1.000	2.00
HW1034A02	WASHER,BUNA N 3/4"X9/16"X1/32"STD WASHER	1.000	2.00
RM1020A51	O-RING -030 BUNA N70 COMPOUND	1.000	2.00
15XM0632A06	SCREW, 6-32X .375, THREAD FORMING	3.000	2.00
BCG1123-005L	BS,D OP BUSHING	1.000	30.00
BH1104	BRG-SLEEVE, .500 ID X .500 WIDE	1.000	15.00
HW4600C29	SEAL, TCM #0507416 SCW .50X.75X.165 RB	1.000	3.00
RM1020A51	O-RING -030 BUNA N70 COMPOUND	1.000	2.00
15XM0632A06	SCREW, 6-32X .375, THREAD FORMING	3.000	2.00
MG3000L02	PAINT,GLOSS BLACK LOW TEMP. CURE POWDER	0.010	37.00
MJ1000A41	SYN-TECH GREASE NS-2795-G	0.030	48.00
LD0110A29	ASM,CABLE 40 18-3 BRN,BLU,G/Y (4) 23F W\	1.000	20.00
BP4515SP	BRUSH CAP	1.000	2.00
BP4517	BRUSH TUBE ASM,	2.000	6.00
LB5040	INSTRUCTION TAG, AC & DC	1.000	2.00
NP1220A08	NP,DC STD AD NONE V GEAR MOTOR CE CUL	1.000	
CPA1000	PACKING GROUP STD. SINGLE	1.000	7.00
LB1125C01	STD (STOCK) CARTON LABEL BALDOR WITH FLA	1.000	2.00

23LYA005



CUSTOMER IS RESPONSIBLE FOR DETERMINING THAT MOTOR PERFORMANCE IS SUITABLE IN THE APPLICATION.

REV. DESC: ADD NP1220A08 TO LAYOUT

REV. LTR: F	VERSION: 02	TDR: 000000458467
G00VΛ7CZ	FILE: \CKA\00000\555	REVISED: 08:29:40 03/05/2008
	MTL: -	BY: CKPHIWO

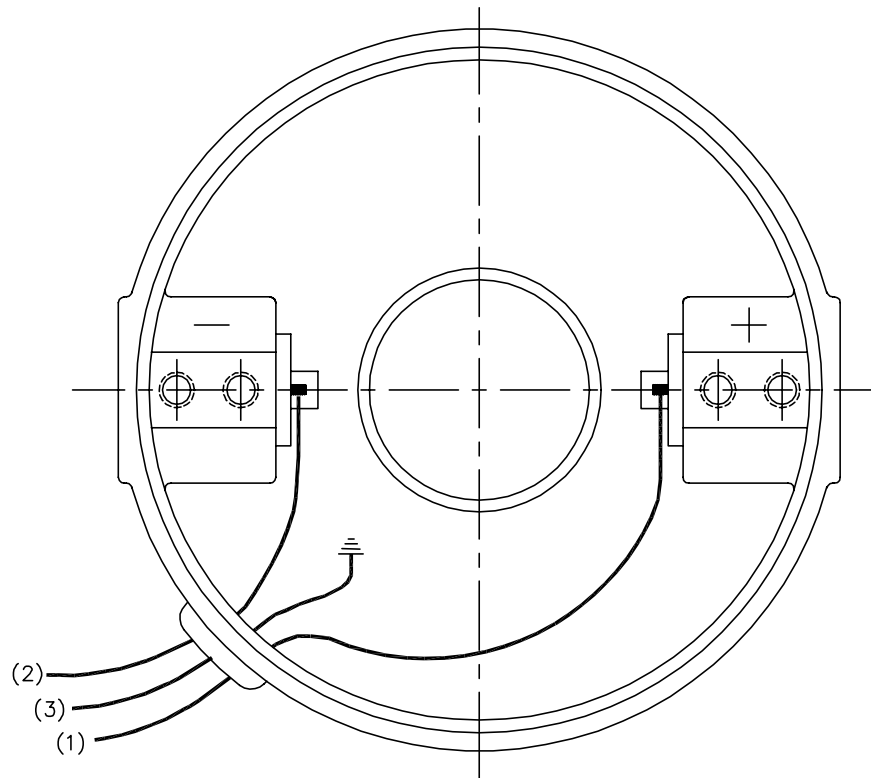
BALDOR • DODGE • RELIANCE

LY,23DC DA DOM TENV 1.000 0.500 FLATS

SH 1 of 1

23LYA005

CD1899



(1) COLOR MAY BE
RED
WHT
BLU

(2) COLOR MAY BE
BLK
BRN

(3) COLOR WHEN REQ.
GRN
GRN/YEL

VIEWED FROM
DRIVE END

REV. DESC: NEW			
REV. LTR: -	BY: PAW	REVISED: 09:06:34 09/16/2004	TDR: 341564
668100		FILE: CKA00025830	REF: CD1899
		MTL: -	

BALDOR ELECTRIC Co.

PM,2LD,REV,TANG,CK

CD1899