

BALDOR® • *RELIANCE*

Product Information Packet

JMM2538T

40HP,3500RPM,3PH,60HZ,286JM,3946M,OPSB

Product Detail							
Revision:	K	Status:	PRD/A	Change #:		Proprietary:	No
Type:	AC	Prod Type:	3946M	Elec. Spec:	39WGW857	CD Diagram:	CD0180
Enclosure	OPSB	Mfg Plant:		Mech Spec:	39N090	Layout:	39LYN090
Frame:	286JM	Mounting:	F1	Poles:	02	Created Date:	
Base:	RG	Rotation:	R	Insulation:	B	Eff. Date:	03-28-2008
Leads:	9#8					Replaced By:	
Nameplate NP1256L							
CAT.NO.	JMM2538T						
SPEC.	39N090W857H1						
HP	40						
VOLTS	230/460						
AMP	90/45						
RPM	3500						
FRAME	286JM	HZ	60	PH	3		
SER.F.	1.15	CODE	G	DES	B	CLASS	B
NEMA-NOM-EFF	91.7	PF	91				
RATING	40C AMB-CONT						
CC		USABLE AT 208V	99.2				
DE	6312	ODE	6208				
ENCL	OPSB	SN					

Parts List			
Product ID	Description	Quantity	List Price
SA057039	SA 39N090W857H1	1.000	1,890.00
RA051560	RA 39N090W857H1	1.000	1,642.00
S/P101-000-003	EPACT PROC-ZK 280FR & UP,LARGE KOBX,POLY	1.000	
HW3201A01	1/2-13 EYEBOLT	1.000	15.00
09CB2800A03	ADAPTER MACH FOR 10CB3000	1.000	21.00
19XW3118A08	.31-18 X .50 HEX WASHER HEAD TAPTITE II	2.000	2.00
HW1001A31	LOCKWASHER 5/16, ZINC PLT.591 OD, .319 I	2.000	2.00
10CB3000SP	STD KO BOX MODEL 310,312,314 MTRS W/2.00	1.000	35.00
19XW3118A12	.31-18 HEX WASHER HEAD TAPTITE II	4.000	2.00
HW1001A31	LOCKWASHER 5/16, ZINC PLT.591 OD, .319 I	4.000	2.00
WD1000B16	KPA-4C BURNDY TERMINAL	1.000	4.00
51XF2520A08	SCREW, HEX SER SLT HD, ZN 1/4-20 X .50 L	1.000	2.00
39EP3200A01SP	FR/PU ENDPLATE, MACH	1.000	111.00
HA4051A00	PLASTIC CAP FOR GREASE FITTING	1.000	2.00
HA1101A01	RODENT SCREEN, 39 MTR	1.000	26.00
51XW1032A06	10-32 X .38, TAPTITE II, HEX WSHR SLTD S	4.000	3.00
HW5100A08	W3118-035 WVY WSHR (WB)	1.000	2.00
10XN3118K40	5/16-18 X 2.50" HEX HD, GRADE 5	4.000	2.00
HW1001A31	LOCKWASHER 5/16, ZINC PLT.591 OD, .319 I	4.000	2.00
39EP1404A03	FACE MTD.EP MACH. 284-6 OPEN	1.000	304.00
HA4051A00	PLASTIC CAP FOR GREASE FITTING	1.000	2.00
HA1221	RODENT SCREEN 39EP1404	4.000	11.00
HW3207A04	CABLE TIE 5 5/8 X .14" BLACK	8.000	2.00
HW4600B41	V-RING SLINGER 2.125 X 2.880 X 0.280	1.000	6.00

Parts List (continued)			
Product ID	Description	Quantity	List Price
XY3816A12	3/8-16 FINISHED NUT	4.000	2.00
10CB3500	CONDUIT BOX LID, CAST	1.000	35.00
51XW2520A12	.25-20 X .75, TAPTITE II, HEX WSHR SLTD	4.000	2.00
HW2501E22	KEY, 1/4 SQ X 2.500	1.000	4.00
LB1115	LABEL,LIFTING DEVICE (ON ROLLS0	1.000	2.00
HW4500A03	GREASE FITTING, .125 NPT 1610(ALEMITE) 8	1.000	2.00
HW4500A20	1/8NPT SL PIPE PLUG	1.000	2.00
MJ1000A02	GREASE, POLYREX EM EXXON	0.030	10.00
HW4500A03	GREASE FITTING, .125 NPT 1610(ALEMITE) 8	1.000	2.00
HW4500A20	1/8NPT SL PIPE PLUG	1.000	2.00
MG1000G27	PAINT- S9282E CHARCOAL GREY	0.050	4,000.00
85XU0407A04	#4-7 X 1/4 DRIVE PIN	2.000	2.00
39AD2002B01	BAFFLE PLATE 39 OPEN, SLOTTED BAND MTRS	2.000	78.00
HA3113A05	THRUBOLT 3/8 - 16 X 17.250	4.000	8.00
LB1119	WARNING LABEL	1.000	2.00
LC0181	CONNECTION LABEL	1.000	6.00
LB1125C04	STD-E (STOCK CTN LABEL STD-E WITH FLAG)	4.000	2.00
NP1256L	NP STD LASER ENGRAVED, UL CSA CC, W/O TH	1.000	3.00
40PA1000	PACKAGING GROUP	1.000	67.00

Performance Data at 460V, 60Hz, 40.0HP (Typical performance - Not guaranteed values)

General Characteristics

Full Load Torque:	60.0 LB-FT	Start Configuration:	DOL
No-Load Current:	11.46 Amps	Break-Down Torque:	201.0 LB-FT
Line-line Res. @ 25°C.:	0.2392 Ohms A Ph / 0.0 Ohms B Ph	Pull-Up Torque:	90.6 LB-FT
Temp. Rise @ Rated Load:	57°C	Locked-Rotor Torque:	107.0 LB-FT
Temp. Rise @ S.F. Load:	75°C	Starting Current:	310.0 Amps

Load Characteristics

% of Rated Load:	25	50	75	100	125	150	S.F.
Power Factor:	66.0	84.0	89.0	91.0	91.0	91.0	91.0
Efficiency:	90.6	93.0	92.8	91.9	90.6	89.0	91.2
Speed:	3577.0	3554.0	3529.0	3502.0	3472.0	3439.0	3485.0
Line Amperes:	15.69	24.03	34.0	44.9	56.8	70.6	52.0

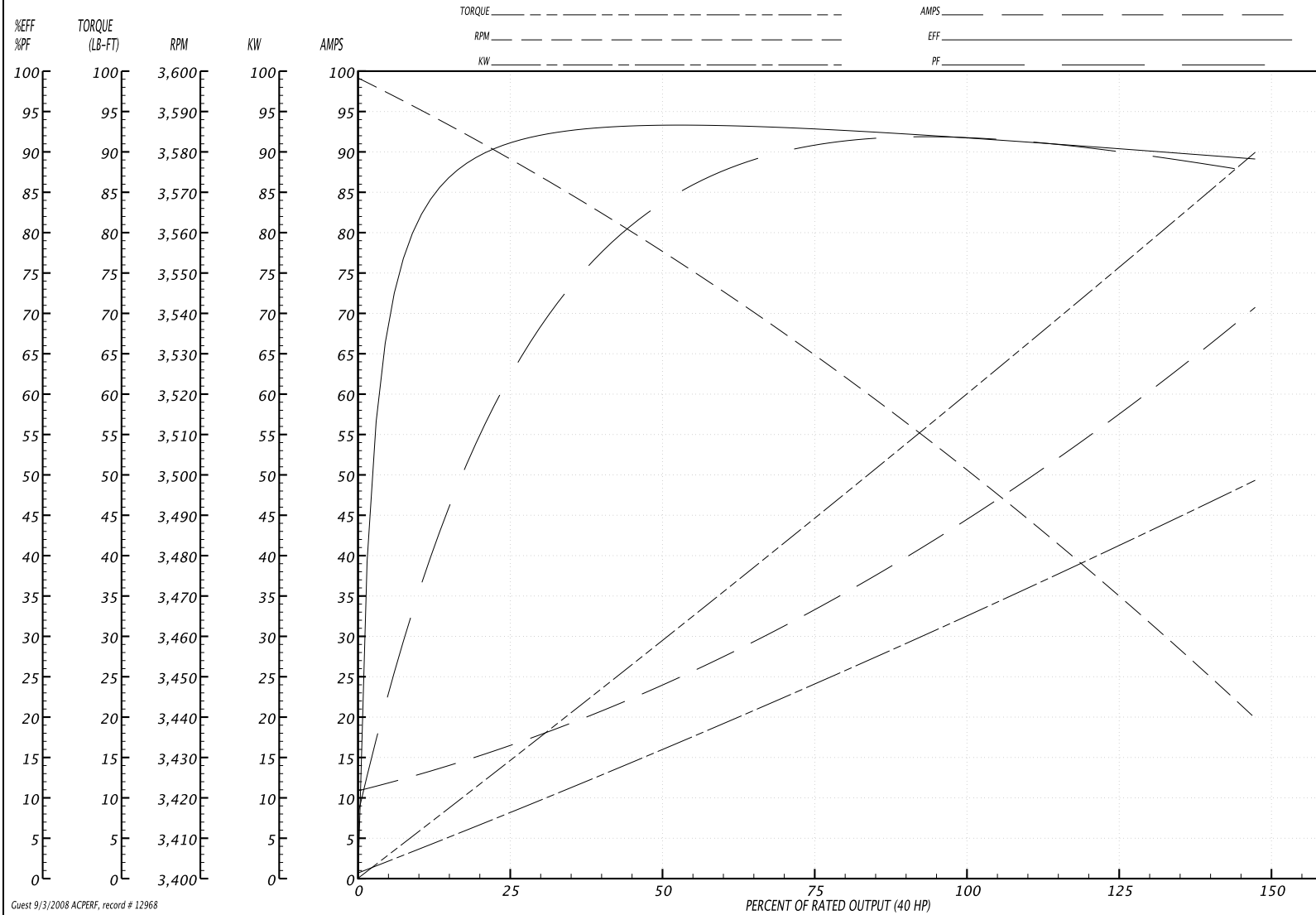
Performance Graph at 460V, 60Hz, 40.0HP (Typical performance - Not guaranteed values)

BALDOR ELECTRIC COMPANY

WINDING # 39WG857

Typical performance - not guaranteed values.

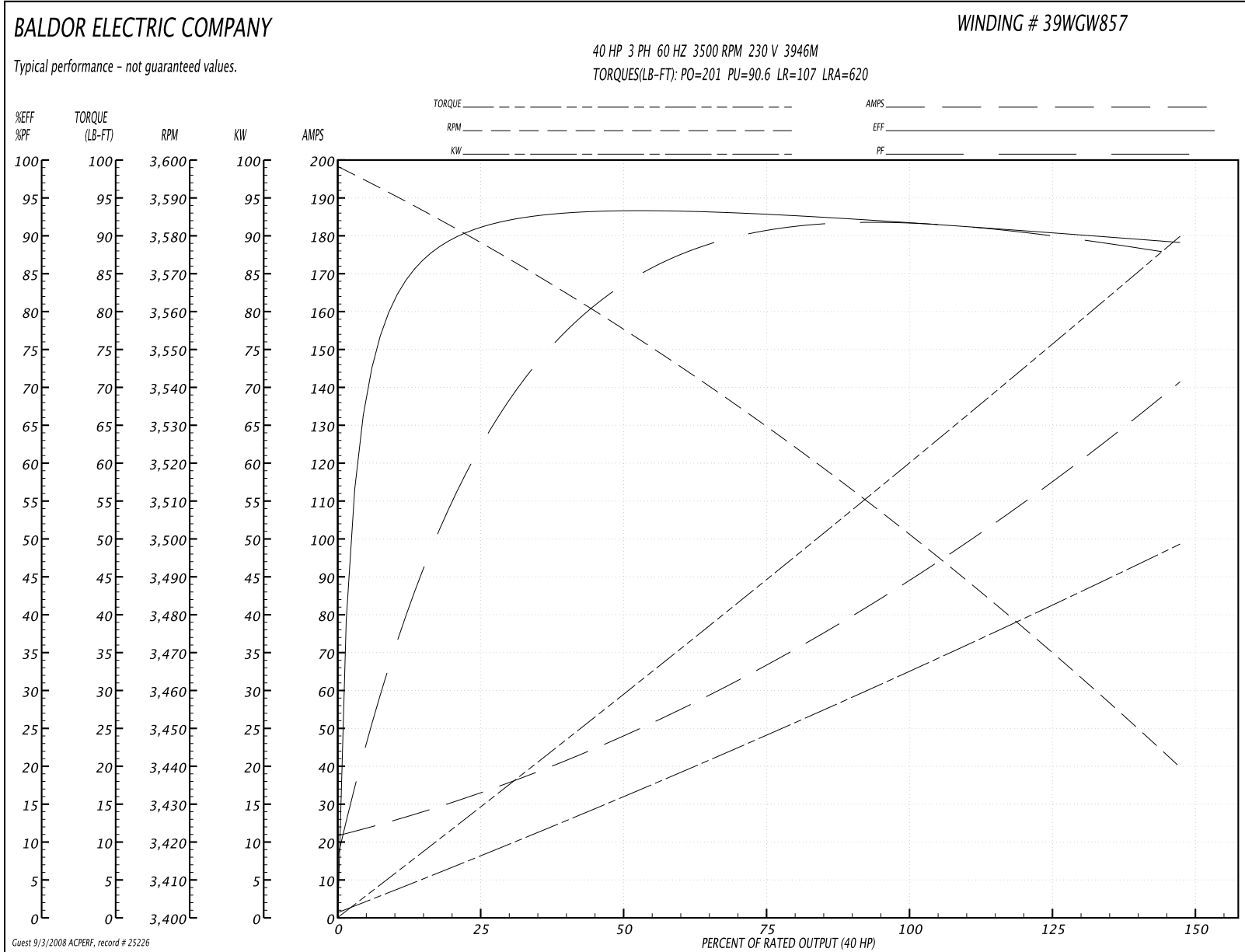
40 HP 3 PH 60 HZ 3500 RPM 460 V 3946M
 TORQUES(LB-FT): PO=201 PU=90.6 LR=107 LRA=310

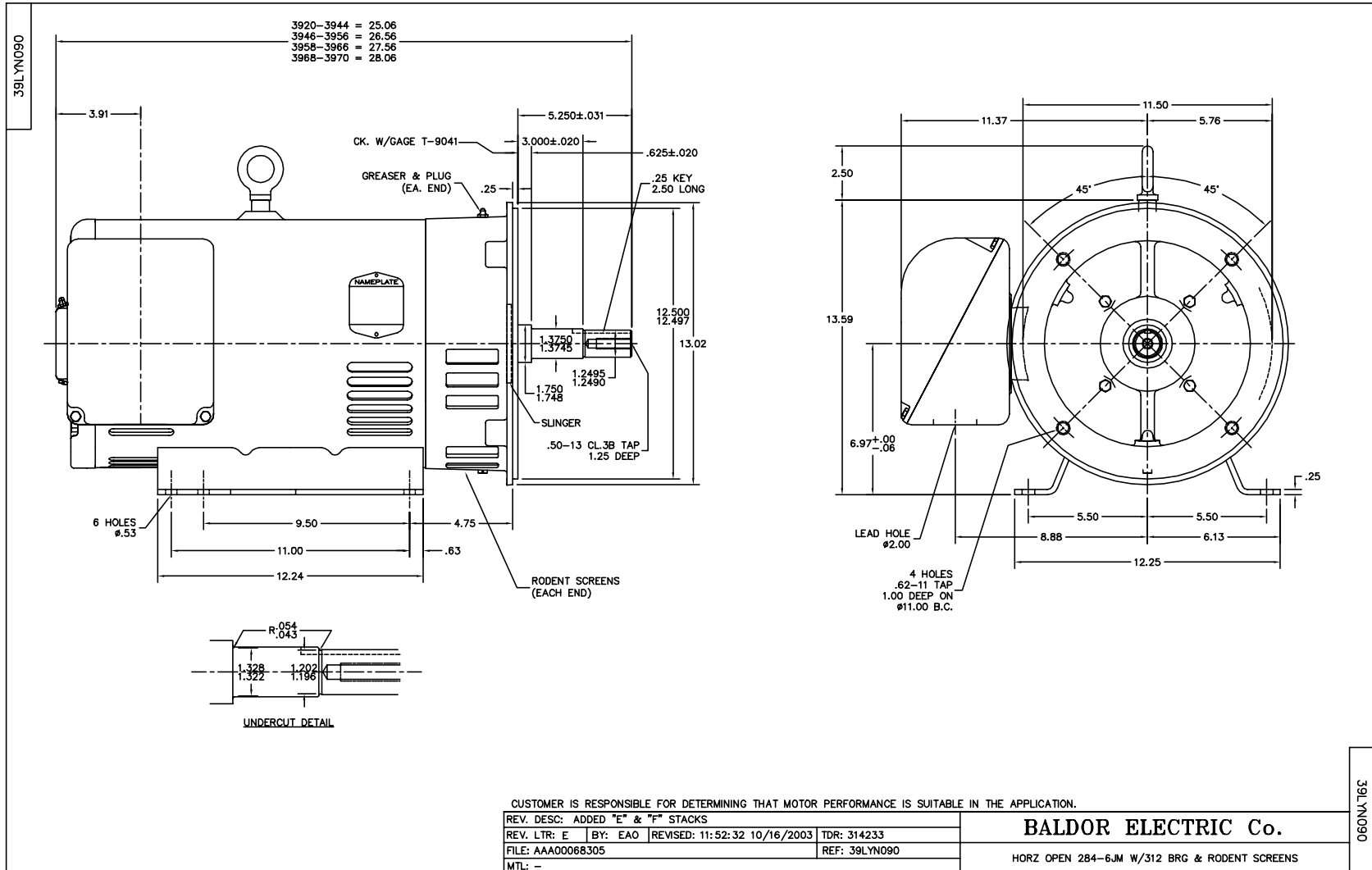


Guest 9/3/2008 ACPERF, record # 12968

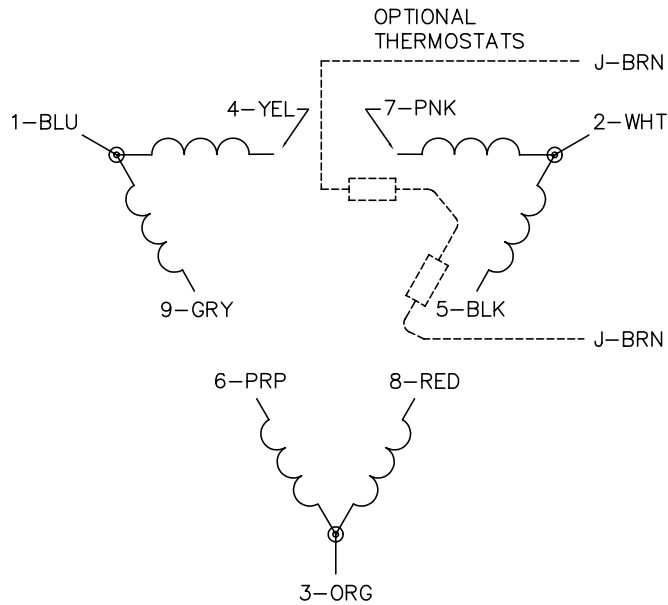
Performance Data at 230V, 60Hz, 40.0HP (Typical performance - Not guaranteed values)							
General Characteristics							
Full Load Torque:	60.0 LB-FT			Start Configuration:	DOL		
No-Load Current:	22.9 Amps			Break-Down Torque:	201.0 LB-FT		
Line-line Res. @ 25°C.:	0.0592 Ohms A Ph / 0.0 Ohms B Ph			Pull-Up Torque:	90.6 LB-FT		
Temp. Rise @ Rated Load:	57°C			Locked-Rotor Torque:	107.0 LB-FT		
Temp. Rise @ S.F. Load:	70°C			Starting Current:	620.0 Amps		
Load Characteristics							
% of Rated Load:	25	50	75	100	125	150	S.F.
Power Factor:	67.0	85.0	90.0	91.0	90.0	88.0	90.0
Efficiency:	90.6	93.0	92.8	91.9	90.6	89.0	91.1
Speed:	3577.0	3554.0	3529.0	3502.0	3472.0	3439.0	3484.0
Line Amperes:	31.4	48.1	68.0	89.8	114.0	141.0	104.0

Performance Graph at 230V, 60Hz, 40.0HP (Typical performance - Not guaranteed values)

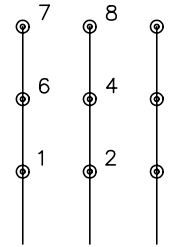




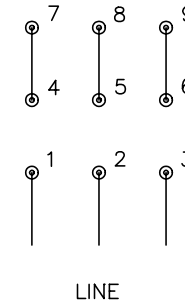
CD0180



LOW VOLTAGE
(2D)



HIGH VOLTAGE
(1D)



NOTES:

1. INTERCHANGE ANY TWO LINE LEADS TO REVERSE ROTATION.
2. OPTIONAL THERMOSTATS ARE PROVIDED WHEN SPECIFIED.
3. ACTUAL NUMBER OF INTERNAL PARALLEL CIRCUITS MAY BE A MULTIPLE OF THOSE SHOWN ABOVE.
4. LEAD COLORS ARE OPTIONAL. LEADS MUST ALWAYS BE NUMBERED AS SHOWN.

REV. DESC: REVISE TO SHOW OPTIONAL COLORS			
REV. LTR: C	BY: JLP	REVISED: 01/21/99 2:28	TDR: 0171435
0810D0		FILE: AAA00005148	MDL: -
		MTL: -	

BALDOR ELECTRIC Co.

3PH, DV, 9 LEADS, DELTA CONNECTION

CD0180