

BALDOR® • RELIANCE

Product Information Packet

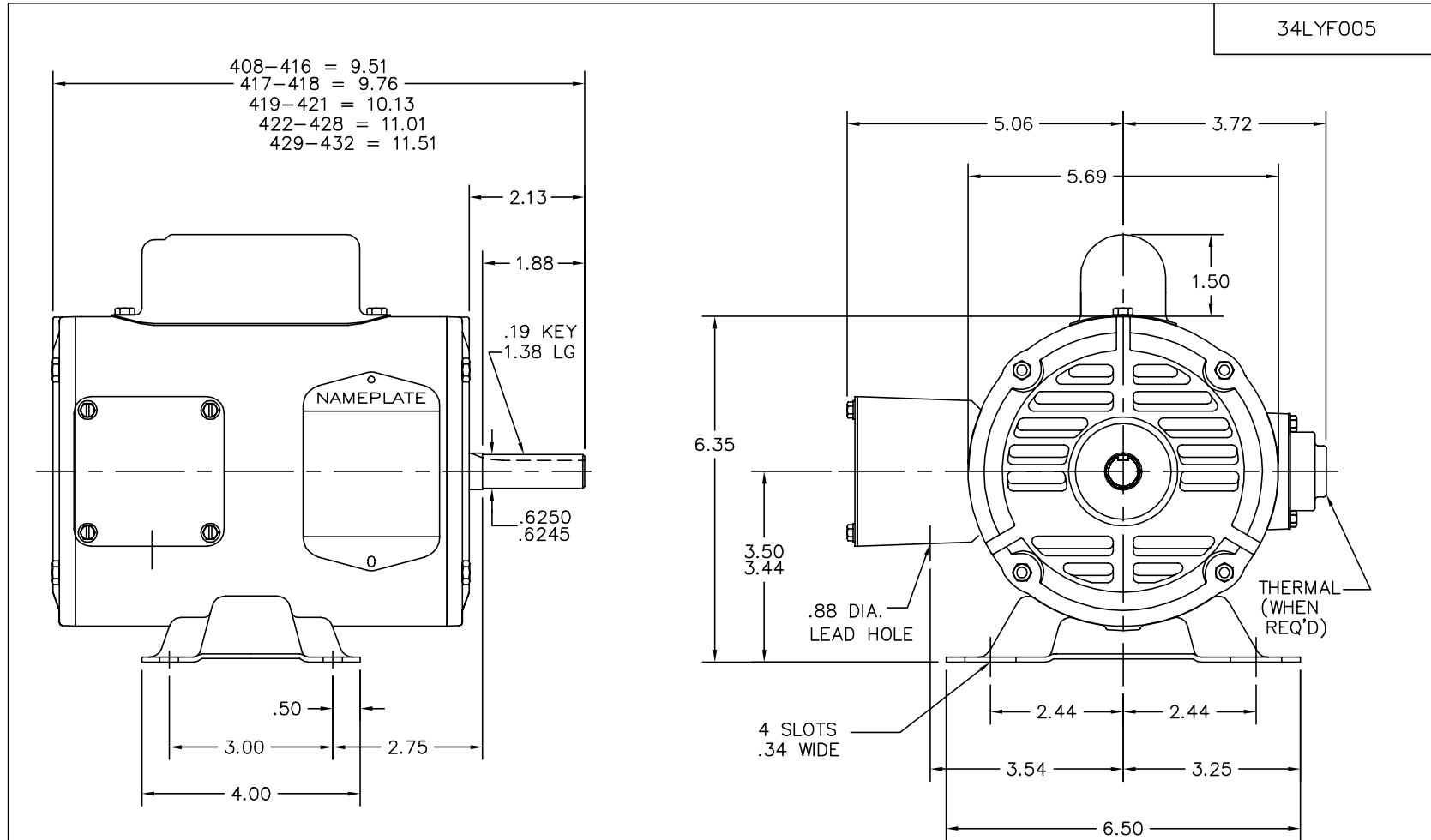
L1304

.5HP,1725RPM,1PH,60HZ,56,3421L,OPEN,F1,N

Product Detail							
Revision:	C	Status:	PRD/A	Change #:		Proprietary:	No
Type:	AC	Prod Type:	3421L	Elec. Spec:	34WG5422	CD Diagram:	CD0001
Enclosure	OPEN	Mfg Plant:		Mech Spec:	34F005	Layout:	34LYF005
Frame:	56	Mounting:	F1	Poles:	04	Created Date:	08-03-2006
Base:	RG	Rotation:	R	Insulation:	B	Eff. Date:	06-12-2008
Leads:	6#18					Replaced By:	
Nameplate NP1256L							
CAT.NO.	L1304						
SPEC.	34F005-5422G1						
HP	.5						
VOLTS	115/230						
AMP	7.4/3.7						
RPM	1725						
FRAME	56	HZ	60	PH	1		
SER.F.	1.25	CODE	J	DES	N	CLASS	B
NEMA-NOM-EFF	68	PF	66				
RATING	40C AMB-CONT						
CC		USABLE AT 208V	4.3				
DE	6203	ODE	6203				
ENCL	OPEN	SN					
	SFA 8.2/4.1						

Parts List			
Product ID	Description	Quantity	List Price
SA146614	SA 34F005-5422G1	1.000	168.00
RA135686	RA 34F005-5422G1	1.000	140.00
EC1270A02SP	ELEC CAP, 270-324 MFD, 125V, 1.48D X 3.	1.000	15.00
NS2512A01	INSULATOR, CONDUIT BOX X X	1.000	2.00
34CB3002A	CB CAST W/.88 DIA HOLE	1.000	13.00
51XB1016A07	10-16 X 7/16 HXWSSLD SERTYB	2.000	2.00
11XW1032G06	10-32 X .38, TAPTITE II, HEX WSHR SLTD U	1.000	2.00
51XW0832A07	8-32 X .44, TAPTITE II, HEX WSHR SLTD SE	2.000	2.00
SP1006A01	TERM. BOARD, MODE 35 SW X H-23655	1.000	7.00
34EP3210A01SP	FR ENDPLATE, MACH	1.000	52.00
NS2500A01	INSULATOR, AUTO THER PROT	1.000	2.00
34CB4800SP	CAPACITOR COVER,STAMPED X X	1.000	20.00
51XB1016A05	10-16X5/16HX WA SL SR TYB (F/S)	2.000	2.00
HW5100A03SP	WAVY WASHER (W1543-017)	1.000	2.00
34EP3212A02	PU ENDPLATE, MODEL 34 OPEN	1.000	18.00
XY1032A02	10-32 HEX NUT DIRECTIONAL SERRATION	4.000	2.00
34CB4517	CB LID 4 MTG HOLES .22 DIA STAMPED, FOR	1.000	5.00
51XW0832A07	8-32 X .44, TAPTITE II, HEX WSHR SLTD SE	4.000	2.00
HW2501D13SP	KEY, 3/16 SQ X 1.375	1.000	2.00
HA7000A04	KEY RETAINER 0.625 DIA SHAFTS	1.000	2.00
MG1000G27	PAINT- S9282E CHARCOAL GREY	0.014	4,000.00
10XF0440S02	04-40 X 1/8 TYPE F HEX HD STAINLESS STIC	2.000	2.00
SP5056A24	MODEL 34 TYPE L STATIONARY SWITCH WITH L	1.000	18.00
HA3100A44	THRUBOLT 10-32 X 8.000	4.000	2.00

Parts List (continued)			
Product ID	Description	Quantity	List Price
LB1125C01	STD (STOCK) CARTON LABEL BALDOR WITH FLA	1.000	2.00
LC0001A01	CONN LABEL / WARNING LABEL (LC0001 / LB1	1.000	2.00
NP1256L	NP STD LASER ENGRAVED, UL CSA CC, W/O TH	1.000	3.00
34PA1002	PACKING GROUP, BALDOR	1.000	13.00



CUSTOMER IS RESPONSIBLE FOR DETERMINING THAT MOTOR PERFORMANCE IS SUITABLE IN THE APPLICATION.

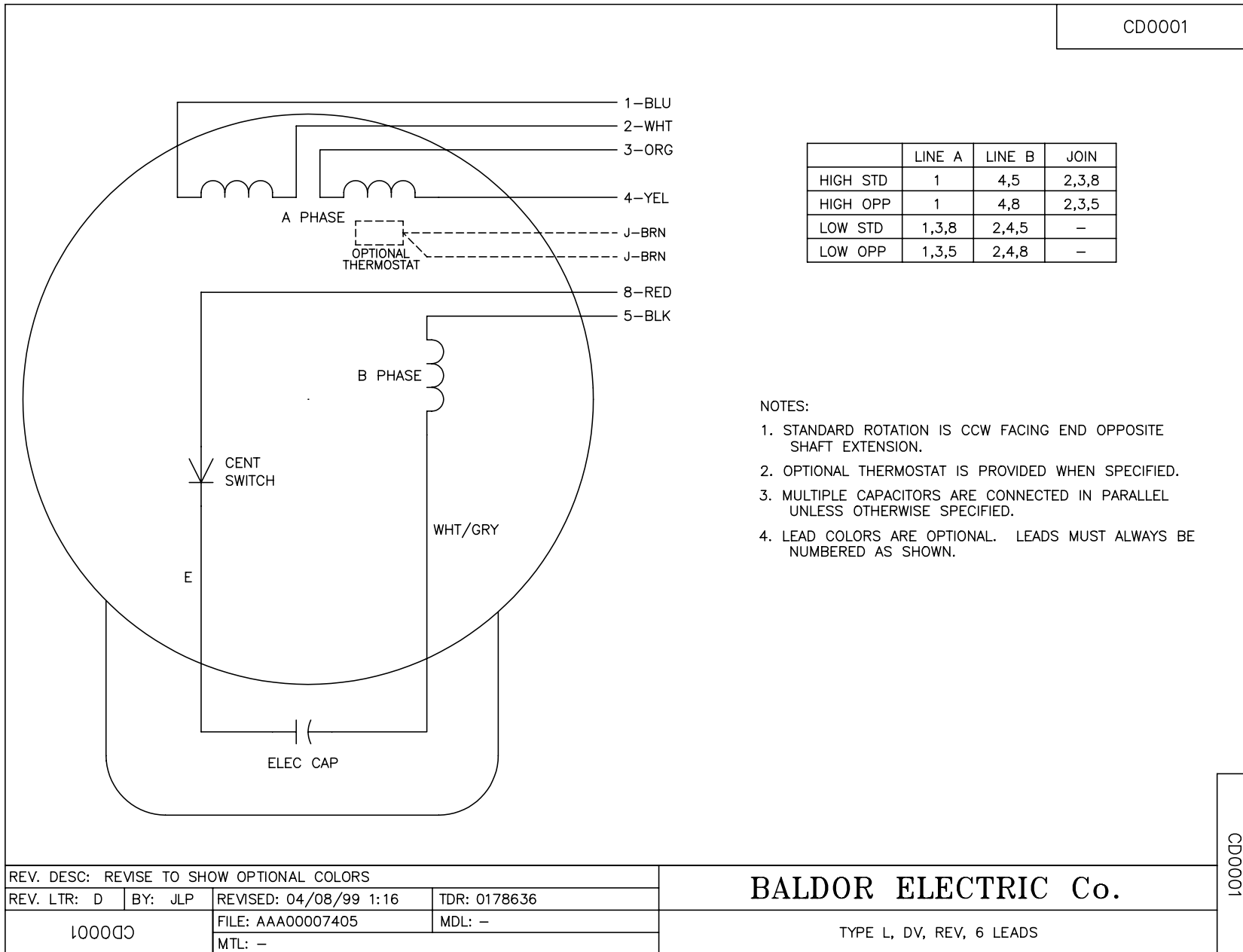
REV. DESC: UPDATED GRAPHIC		
REV. LTR: F	VERSION: 02	TDR: 000000423571
34LYF005	FILE: \AAA\00026\294	REVISED: 13:53:55 02/26/2007
	MTL: -	BY: ENROSTO

BALDOR ELECTRIC Co.

STD HORZ MODEL 34L NEMA 56 OPEN

34LYF005

CD0001



NOTES:

1. STANDARD ROTATION IS CCW FACING END OPPOSITE SHAFT EXTENSION.
2. OPTIONAL THERMOSTAT IS PROVIDED WHEN SPECIFIED.
3. MULTIPLE CAPACITORS ARE CONNECTED IN PARALLEL UNLESS OTHERWISE SPECIFIED.
4. LEAD COLORS ARE OPTIONAL. LEADS MUST ALWAYS BE NUMBERED AS SHOWN.

REV. DESC: REVISE TO SHOW OPTIONAL COLORS			
REV. LTR: D	BY: JLP	REVISED: 04/08/99 1:16	TDR: 0178636
100000		FILE: AAA00007405	MDL: -
		MTL: -	

BALDOR ELECTRIC Co.

TYPE L, DV, REV, 6 LEADS

CD0001