

BALDOR® • RELIANCE

Product Information Packet

L1307

.75HP,1725RPM,1PH,60HZ,56,3428L,OPEN,F1

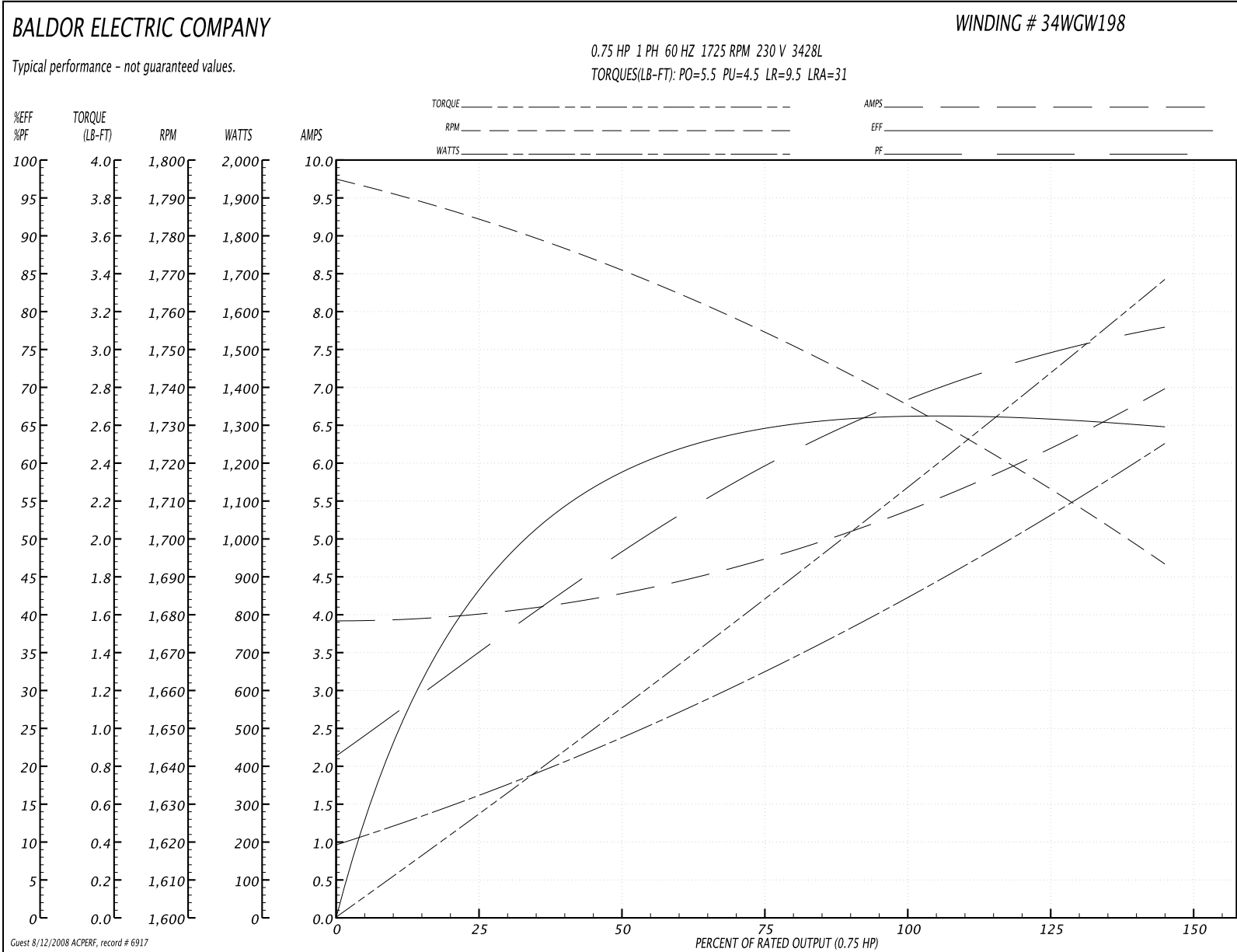
Product Detail							
Revision:	X	Status:	PRD/A	Change #:		Proprietary:	No
Type:	AC	Prod Type:	3428L	Elec. Spec:	34WGW198	CD Diagram:	CD0001
Enclosure	OPEN	Mfg Plant:		Mech Spec:	34F074	Layout:	34LYF074
Frame:	56	Mounting:	F1	Poles:	04	Created Date:	
Base:	RG	Rotation:	R	Insulation:	B	Eff. Date:	06-16-2008
Leads:	6#18					Replaced By:	
Nameplate NP1256L							
CAT.NO.	L1307						
SPEC.	34F74W198						
HP	.75						
VOLTS	115/230						
AMP	10.2/5.1						
RPM	1725						
FRAME	56	HZ	60	PH	1		
SER.F.	1.25	CODE	K	DES	N	CLASS	B
NEMA-NOM-EFF	68	PF	68				
RATING	40C AMB-CONT						
CC		USABLE AT 208V	6				
DE	6203	ODE	6203				
ENCL	OPEN	SN					
	SFA 11.4/5.7						

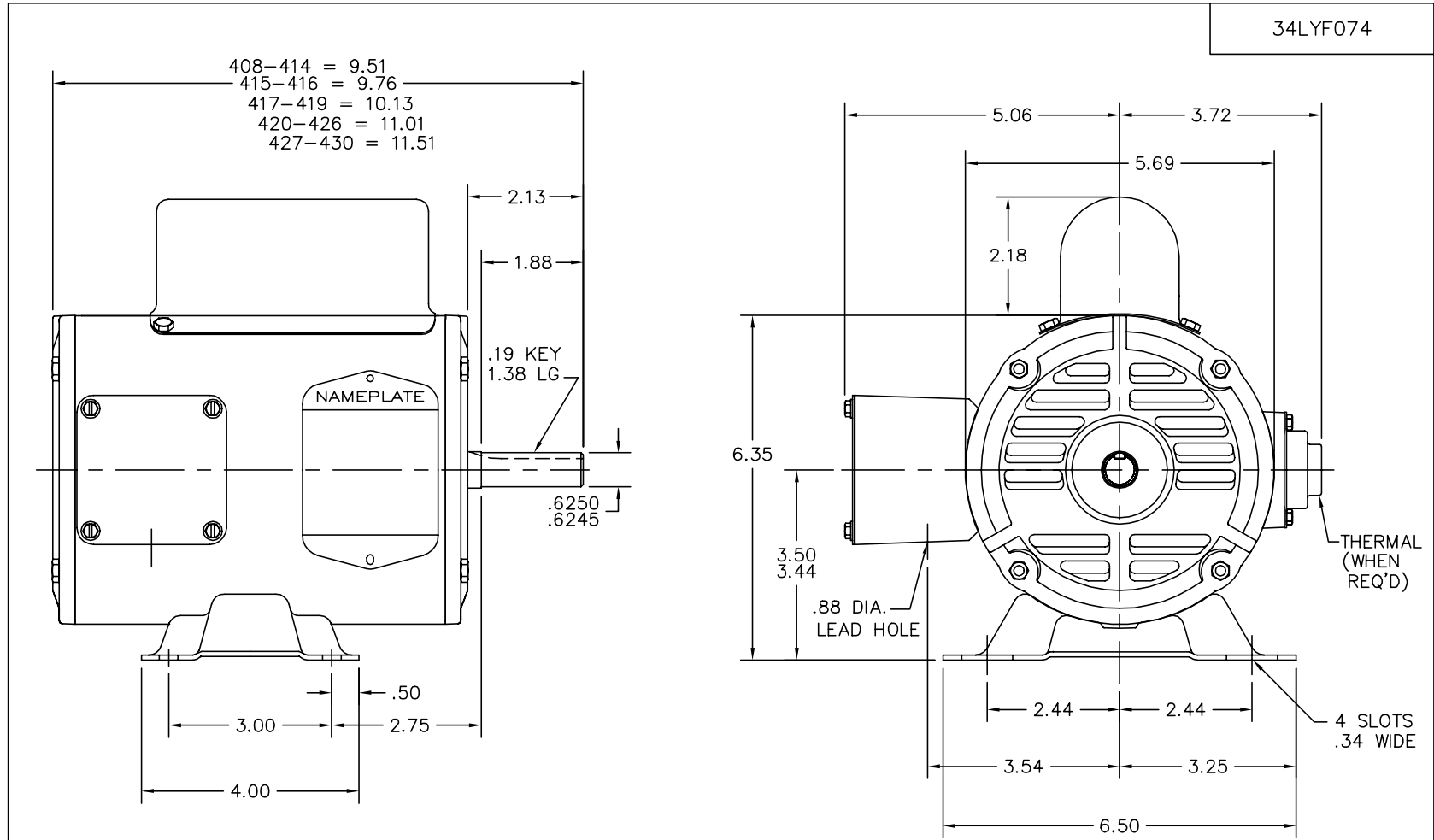
Parts List			
Product ID	Description	Quantity	List Price
SA005876	SA 34F74W198	1.000	208.00
RA002622	RA 34F74W198	1.000	155.00
EC1460A05SP	ELEC CAP, 460-552 MFD, 125V, 2.06D X 3.	1.000	24.00
NS2512A01	INSULATOR, CONDUIT BOX X X	1.000	2.00
34CB3002A	CB CAST W/.88 DIA HOLE	1.000	13.00
51XB1016A07	10-16 X 7/16 HXWSSLD SERTYB	2.000	2.00
11XW1032G06	10-32 X .38, TAPTITE II, HEX WSHR SLTD U	1.000	2.00
34EP3210A01SP	FR ENDPLATE, MACH	1.000	52.00
51XW0832A07	8-32 X .44, TAPTITE II, HEX WSHR SLTD SE	2.000	2.00
SP1006A01	TERM. BOARD, MODE 35 SW X H-23655	1.000	7.00
NS2501A01	INSULATOR, CAPACITOR X	1.000	2.00
51XB1016A05	10-16X5/16HX WA SL SR TYB (F/S)	2.000	2.00
HW5100A03SP	WAVY WASHER (W1543-017)	1.000	2.00
34EP3212A02	PU ENDPLATE, MODEL 34 OPEN	1.000	18.00
XY1032A02	10-32 HEX NUT DIRECTIONAL SERRATION	4.000	2.00
34CB4517	CB LID 4 MTG HOLES .22 DIA STAMPED, FOR	1.000	5.00
51XW0832A07	8-32 X .44, TAPTITE II, HEX WSHR SLTD SE	4.000	2.00
HW2501D13SP	KEY, 3/16 SQ X 1.375	1.000	2.00
HA7000A04	KEY RETAINER 0.625 DIA SHAFTS	1.000	2.00
MG1000G27	PAINT- S9282E CHARCOAL GREY	0.014	4,000.00
10XF0440S02	04-40 X 1/8 TYPE F HEX HD STAINLESS STIC	2.000	2.00
33CB4800A02	CAPACITOR COVER, STAMPED	1.000	3.00
SP5056A24	MODEL 34 TYPE L STATIONARY SWITCH WITH L	1.000	18.00
HA3100A38	THRUBOLT 10-32 X 9.375	4.000	2.00

Parts List (continued)			
Product ID	Description	Quantity	List Price
LB1125C01	STD (STOCK) CARTON LABEL BALDOR WITH FLA	1.000	2.00
LC0001A01	CONN LABEL / WARNING LABEL (LC0001 / LB1	1.000	2.00
NP1256L	NP STD LASER ENGRAVED, UL CSA CC, W/O TH	1.000	3.00
34PA1002	PACKING GROUP, BALDOR	1.000	13.00

Performance Data at 230V, 60Hz, 0.75HP (Typical performance - Not guaranteed values)							
General Characteristics							
Full Load Torque:	2.25 LB-FT			Start Configuration:	DOL		
No-Load Current:	3.9 Amps			Break-Down Torque:	5.5 LB-FT		
Line-line Res. @ 25°C.:	3.1 Ohms A Ph / 1.64 Ohms B Ph			Pull-Up Torque:	4.5 LB-FT		
Temp. Rise @ Rated Load:	74°C			Locked-Rotor Torque:	9.5 LB-FT		
Temp. Rise @ S.F. Load:	90°C			Starting Current:	31.0 Amps		
Load Characteristics							
% of Rated Load:	25	50	75	100	125	150	S.F.
Power Factor:	35.0	49.0	63.0	70.0	76.0	80.0	76.0
Efficiency:	45.4	59.1	62.7	66.7	66.8	64.4	66.8
Speed:	1783.0	1770.0	1754.0	1737.0	1717.0	1692.0	1717.0
Line Amperes:	4.05	4.25	4.8	5.3	6.1	7.0	6.1

Performance Graph at 230V, 60Hz, 0.75HP (Typical performance - Not guaranteed values)





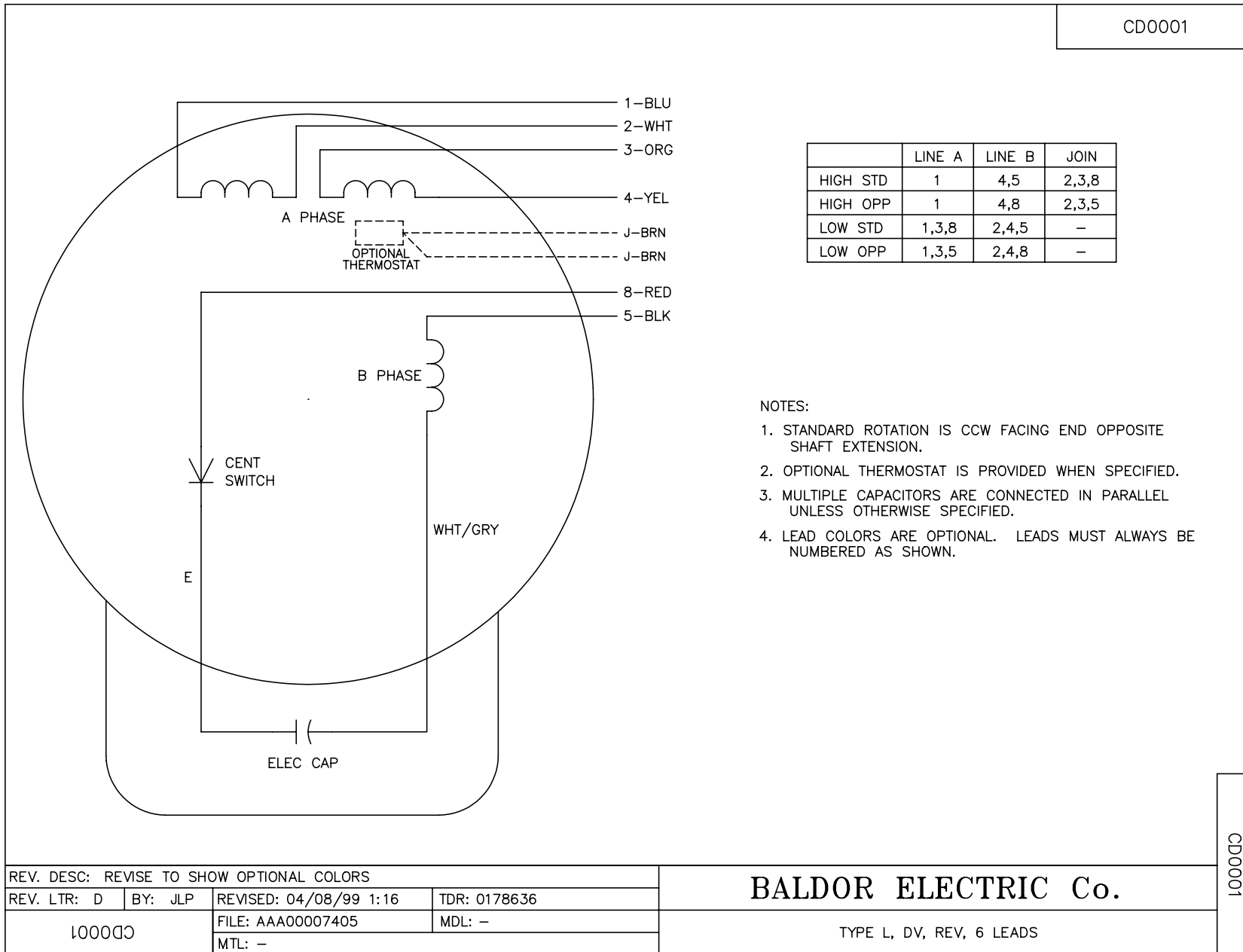
CUSTOMER IS RESPONSIBLE FOR DETERMINING THAT MOTOR PERFORMANCE IS SUITABLE IN THE APPLICATION.

REV. DESC: MOVED CAP BOX .25 TOWARD PU END; NEW KBOX & LID			
REV. LTR: D	BY: RT	REVISED: 11:21:05 10/16/2003	TDR: 312052
34LYF074		FILE: AAA00026594	REF: 34LYF074
		MTL: -	

BALDOR ELECTRIC Co.
STD HORZ MODEL 34L NEMA 56 OPEN W/3 PHASE ER'S & LG CAPAC

34LYF074

CD0001



REV. DESC: REVISE TO SHOW OPTIONAL COLORS			
REV. LTR: D	BY: JLP	REVISED: 04/08/99 1:16	TDR: 0178636
100000		FILE: AAA00007405	MDL: -
		MTL: -	

BALDOR ELECTRIC Co.

TYPE L, DV, REV, 6 LEADS

CD0001