

BALDOR® • RELIANCE

Product Information Packet

M7090T-I

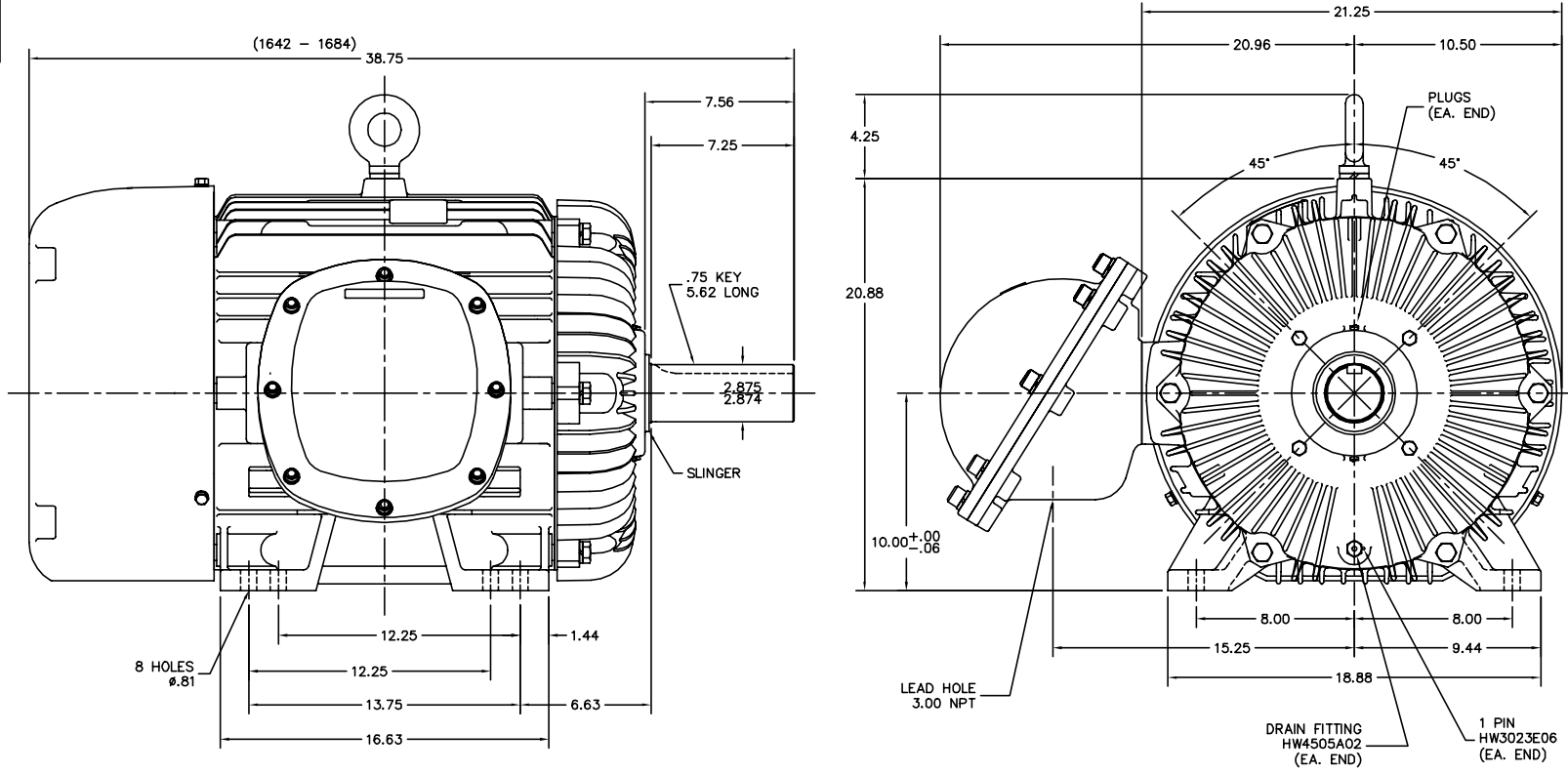
75/100HP, 1475/1780RPM, 3PH, 50/60HZ, 405T

Product Detail							
Revision:	F	Status:	UNR/A	Change #:		Proprietary:	No
Type:	AC	Prod Type:	1676M	Elec. Spec:	16WGW729	CD Diagram:	
Enclosure	XPFC	Mfg Plant:		Mech Spec:	16M014	Layout:	16LYM014
Frame:	405T	Mounting:	F1	Poles:	04	Created Date:	
Base:	RG	Rotation:	R	Insulation:	F	Eff. Date:	03-19-2008
Leads:						Replaced By:	
Nameplate NP0977XP							
NO.		TEMP CODE	T3C				
SPEC.	16M014W729H1	DE BRG	6316				
CAT.NO.	M7090T-I	ODE BRG	6313				
HP	100//75	GREASE	POLYREX EM				
VOLTS	230/460//190/380	MOTOR WEIGHT					
AMPS	218/109//200/100	NEMA-NOM-EFF	94.5				
RPM	1775//1475	FL PF	91				
CYCLE	60//50	PH	3	CL	F	FRAME	405T
SER.F.	1.15	DES	B	CODE	G	CC	010A
SER.		BLANK					
RATING	40C AMB-CONT						
USABLE AT 208V							

Parts List			
Product ID	Description	Quantity	List Price
SA082091	SA 16M014W729H1	1.000	6,671.00
RA075420	RA 16M014W729H1	1.000	5,559.00
16CB1001A01	CONDUIT BOX MACH. GROUP C MTRS	1.000	792.00
84XN3816J28	HEX SOC HD, 3/8-16 X 1.75 LONG	4.000	2.00
HW1001A38	LOCKWASHER 3/8, ZINC PLT .688 OD, .382 I	4.000	2.00
WD1000B21	KC26 BURNDY SERVIT POST	1.000	174.00
16EP1700A13P	FR E.P., MACH GRP C MTRS W/HW4505A02 DRN	1.000	1,621.00
HW4505A02	BREATHER/DRAIN-EXP PROOF-.250-18 PTF AIS	1.000	50.00
HW3023E06	.125 X .625 SPIRAL SPRING PIN	1.000	2.00
HA3052A02	5/8-11X 3.0 GR.8 BOLT	6.000	10.00
HW1001A63	WASHER, 5/8 SPLIT LK, ZN	6.000	2.00
HW5100A16	WAVY WASHER W5408-053	1.000	21.00
10XN4414K52	7/16-14X3 1/4 HEX HD CAP	4.000	3.00
HW1001A44	WASHER,7/16 SPLT LK, ZN	4.000	2.00
16EP1701A13P	PU ENDPLATE, MACH W/PRIMER	1.000	1,310.00
HW4505A02	BREATHER/DRAIN-EXP PROOF-.250-18 PTF AIS	1.000	50.00
HW3023E06	.125 X .625 SPIRAL SPRING PIN	1.000	2.00
HA3052A02	5/8-11X 3.0 GR.8 BOLT	6.000	10.00
HW1001A63	WASHER, 5/8 SPLIT LK, ZN	6.000	2.00
16FH1001A01	FAN COVER, MACH	1.000	484.00
10XN3816K16	3/8-16 X 1 HEX HD CAP GRADE 5	3.000	2.00
HW1001A38	LOCKWASHER 3/8, ZINC PLT .688 OD, .382 I	3.000	2.00
16CB1501A01	CONDUIT BOX LID MACH. GROUP C MTRS	1.000	146.00
84XN6311J32	5/8-11 X 2.00" HX SOCKET,BLK OXIDE	8.000	6.00

Parts List (continued)			
Product ID	Description	Quantity	List Price
HW1001A63	WASHER, 5/8 SPLIT LK, ZN	8.000	2.00
HA2068A01	SLINGER, ALUM (AUTO) BLACK ANODIZE	1.000	184.00
80XN1032A07	SET SCREW, HEX XOCK, ZN	2.000	2.00
HW2501K66	KEY, 3/4 SQ X 5.625	1.000	4.00
LB1115	LABEL,LIFTING DEVICE (ON ROLLS0	1.000	2.00
HW4500A20	1/8NPT SL PIPE PLUG	2.000	2.00
MJ1000A02	GREASE, POLYREX EM EXXON	0.400	10.00
HW4500A20	1/8NPT SL PIPE PLUG	2.000	2.00
14FN5000A02	STD 316-318 EXT FAN ASS'Y W/14FN3000A02	1.000	48.00
MG1025G05	PAINT DRK MET.GRAY,W/ACTIVATOR	0.150	182.00
85XU0407A04	#4-7 X 1/4 DRIVE PIN	6.000	2.00
LB5040	INSTRUCTION TAG, AC & DC	1.000	2.00
LB1073	LABEL, UL/CSA "XP"	1.000	2.00
LB1119	WARNING LABEL	1.000	2.00
LB1125C04	STD-E (STOCK CTN LABEL STD-E WITH FLAG)	4.000	2.00
LC0181	CONNECTION LABEL	1.000	6.00
NP0977XP	UL/CSA, CLI GP-C&D,CC	1.000	
18PA1002	PACKAGING GROUP (318 FRM)TDR 10923	1.000	339.00

16L.YM014



CUSTOMER IS RESPONSIBLE FOR DETERMINING THAT MOTOR PERFORMANCE IS SUITABLE IN THE APPLICATION.

REV. DESC: OMITTED EXTRA NP BY KOBX		
REV. LTR: C	VERSION: 01	TDR: 000000357756
FILE: \AAA\00076\189	REVISED: 12:20:22 02/22/2005	BY: ENROBRO
MTL: -		

BALDOR ELECTRIC Co.

HOR XPFC 405T CL.1,GP.C&D ONLY (DRILL RIG MTR)

16L.YM014