

BALDOR® • ***RELIANCE***

Product Information Packet

VBM3558

2HP,1725RPM,3PH,60HZ,56C,BRAKE,3528M

Product Detail							
Revision:	AA	Status:	PRD/A	Change #:		Proprietary:	No
Type:	AC	Prod Type:	3528M	Elec. Spec:	35WG0872	CD Diagram:	CD0005
Enclosure	TEFC	Mfg Plant:		Mech Spec:	35E058	Layout:	35LYE058
Frame:	56C	Mounting:	F1	Poles:	04	Created Date:	
Base:	N	Rotation:	R	Insulation:	B	Eff. Date:	06-13-2007
Leads:	9#18					Replaced By:	
Nameplate NP1256L							
CAT.NO.	VBM3558						
SPEC.	35E58-872-C						
HP	2						
VOLTS	208-230/460						
AMP	6.5-6.2/3.1						
RPM	1725						
FRAME	56C	HZ	60	PH	3		
SER.F.	1.15	CODE	K	DES	B	CLASS	B
NEMA-NOM-EFF	82.5	PF	77				
RATING	40C AMB-CONT						
CC		USABLE AT 208V	6.5				
DE	6205	ODE	6203				
ENCL	TEFC	SN					

Parts List			
Product ID	Description	Quantity	List Price
SA024358	SA 35E58-872-C	1.000	480.00
RA020408	RA 35E58-872-C	1.000	479.00
NS2512A01	INSULATOR, CONDUIT BOX X X	1.000	2.00
35CB3007	35 CB CASTING W/.88 DIA. LEAD HOLE	1.000	27.00
36GS1000SP	GASKET-CONDUIT BOX, .06 THICK #SV-330 LE	1.000	5.00
51XB1016A07	10-16 X 7/16 HXWSSLD SERTYB	2.000	2.00
11XW1032G06	10-32 X .38, TAPTITE II, HEX WSHR SLTD U	1.000	2.00
35EP3900T01	SPL FACE MTD FR EP-ENCL-W/STEARNS BRAKE	1.000	66.00
HW5100A03SP	WAVY WASHER (W1543-017)	1.000	2.00
35EP3300A33	SPL FACE MTD EP -ENCL-205 BRG	1.000	80.00
51XN1032A20	10-32 X 1 1/4 HX WS SL SR	2.000	2.00
HA1014A02SP	SPL SPACER FOR FAN COVER MTD ON BRAKE	3.000	13.00
51XB1016A07	10-16 X 7/16 HXWSSLD SERTYB	3.000	2.00
BR1003A01	BRAKE RELEASE LEVER, 1 1/8 X1 5/16 SS ST	1.000	6.00
35FN3002M02	EXT FAN, SAME AS 35FN3002A01 EXCEPT 6.00	1.000	20.00
51XB1214A16	12-14X1.00 HXWSSLD SERTYB	1.000	2.00
35FH5000A08SP	FAN COVER ASSY FOR BRAKE MTRS,W/ AUTOPHE	1.000	46.00
51XW1032A06	10-32 X .38, TAPTITE II, HEX WSHR SLTD S	3.000	3.00
35CB4510	35 CB LID	1.000	2.00
35GS1030	35 GS FOR CB LID - LEXIDE	1.000	2.00
51XW0832A07	8-32 X .44, TAPTITE II, HEX WSHR SLTD SE	4.000	2.00
HW2501D13SP	KEY, 3/16 SQ X 1.375	1.000	2.00
HA7000A04	KEY RETAINER 0.625 DIA SHAFTS	1.000	2.00
10XF0440S02	04-40 X 1/8 TYPE F HEX HD STAINLESS STIC	2.000	2.00

Parts List (continued)			
Product ID	Description	Quantity	List Price
MJ1000A02	GREASE, POLYREX EM EXXON	0.050	10.00
HW2501D08	KEY, 3/16 SQ X .875 AUTO	1.000	2.00
84XN3816J28	HEX SOC HD, 3/8-16 X 1.75 LONG	2.000	2.00
MG1000G27	PAINT- S9282E CHARCOAL GREY	0.017	4,000.00
HA3100A15	THRUBOLT 10-32 X 8.375	4.000	2.00
76BK3100BPF	1-056-031-00-BPF BRAKE TDR# 79345	1.000	659.00
LB1125C01	STD (STOCK) CARTON LABEL BALDOR WITH FLA	1.000	2.00
LB1185	LABEL,BRAKE CONNECTION (ON ROLLS)	1.000	2.00
LC0005E01	CONN.DIA./WARNING LABEL (LC0005/LB1119)	1.000	2.00
NP1256L	NP STD LASER ENGRAVED, UL CSA CC, W/O TH	1.000	3.00
G7PA1000	PACKAGING GROUP / BALDOR	1.000	21.00
PK3082	STYROFOAB CRADLE	1.000	2.00

Performance Data at 460V, 60Hz, 2.0HP (Typical performance - Not guaranteed values)

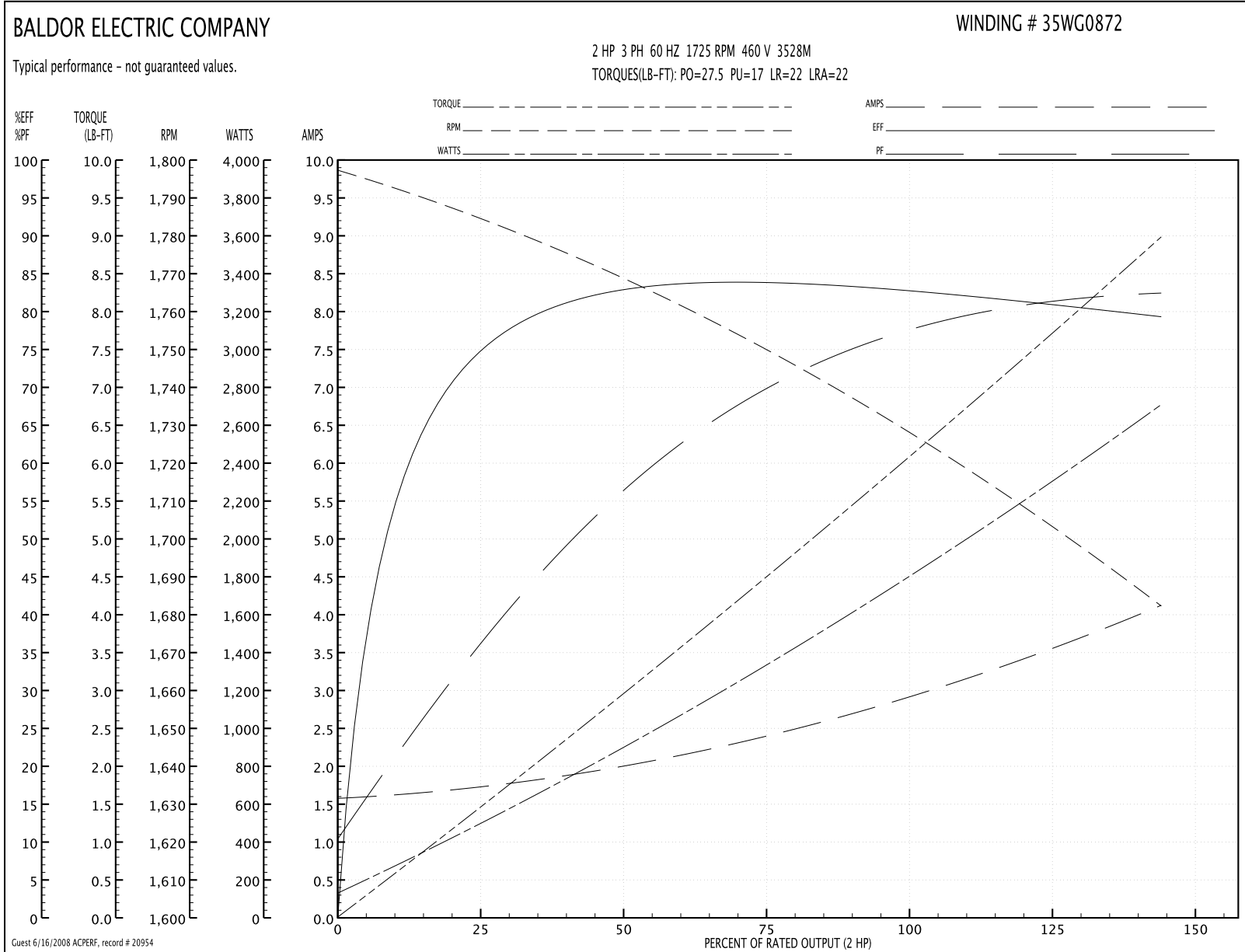
General Characteristics

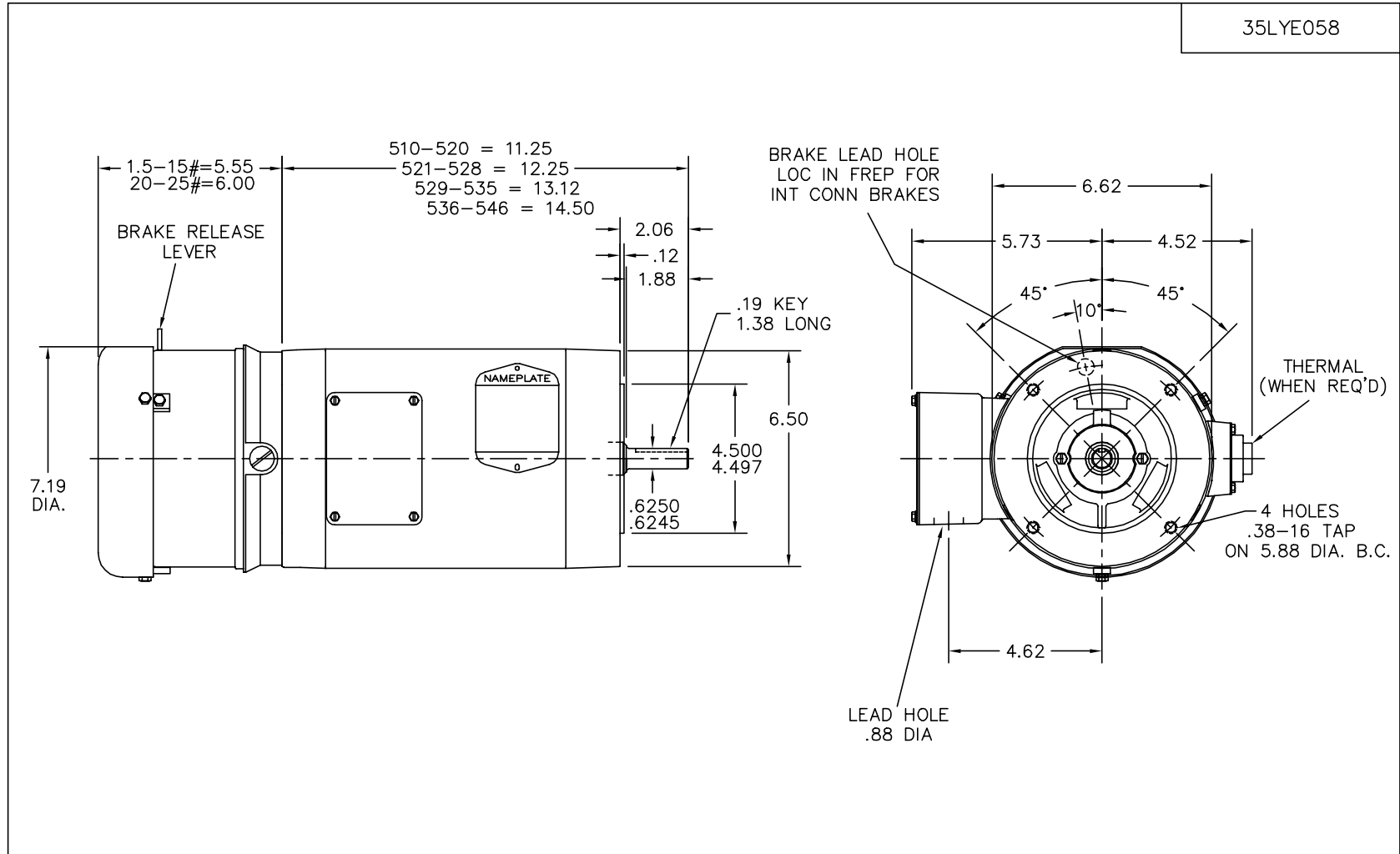
Full Load Torque:	6.0 LB-FT	Start Configuration:	DOL
No-Load Current:	1.6 Amps	Break-Down Torque:	27.5 LB-FT
Line-line Res. @ 25°C.:	9.1 Ohms A Ph / 0.0 Ohms B Ph	Pull-Up Torque:	17.0 LB-FT
Temp. Rise @ Rated Load:	68°C	Locked-Rotor Torque:	22.0 LB-FT
Temp. Rise @ S.F. Load:	84°C	Starting Current:	22.0 Amps

Load Characteristics

% of Rated Load:	25	50	75	100	125	150	S.F.
Power Factor:	39.0	59.0	72.0	80.0	84.0	87.0	82.0
Efficiency:	74.9	82.2	83.7	83.1	81.5	79.1	82.1
Speed:	1784.0	1767.0	1750.0	1730.0	1708.0	1681.0	1717.0
Line Amperes:	1.7	2.0	2.4	2.9	3.5	4.1	3.3

Performance Graph at 460V, 60Hz, 2.0HP (Typical performance - Not guaranteed values)





CUSTOMER IS RESPONSIBLE FOR DETERMINING THAT MOTOR PERFORMANCE IS SUITABLE IN THE APPLICATION.

REV. DESC: ADD BRAKE LEAD HOLE LOC IN FREP FOR INT CONN BRAKE		
REV. LTR: L	VERSION: 01	TDR: 000000446954
35LYE058	FILE: \AAA\00006\568	REVISED: 18:36:33 10/23/2007
	MTL: -	BY: ENMARHO

BALDOR ELECTRIC Co.

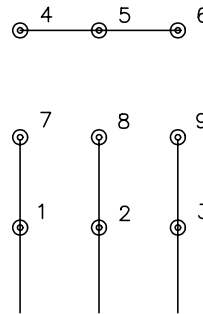
STD VERT 56C TEFC 35M W/BRAKE

35LYE058

CD0005

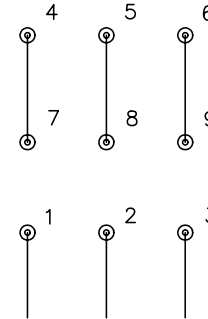


LOW VOLTAGE
(2Y)



LINE

HIGH VOLTAGE
(1Y)



LINE

NOTES:

1. INTERCHANGE ANY TWO LINE LEADS TO REVERSE ROTATION.
2. OPTIONAL THERMOSTATS ARE PROVIDED WHEN SPECIFIED.
3. ACTUAL NUMBER OF INTERNAL PARALLEL CIRCUITS MAY BE A MULTIPLE OF THOSE SHOWN ABOVE.
4. LEAD COLORS ARE OPTIONAL. LEADS MUST ALWAYS BE NUMBERED AS SHOWN.

REV. DESC: REVISE TO SHOW OPTIONAL COLORS			
REV. LTR: E	BY: JLP	REVISED: 01/19/99 10:15	TDR: 0171435
900000		FILE: AAA00005140	MDL: -
		MTL: -	

BALDOR ELECTRIC Co.

3PH, DV, 9 LEADS

CD0005